

Juno Mini LED Downlights and Gimbals

Next generation illumination for small spaces





Shown actual size

Next Generation Juno Mini LED Downlights and Gimbals

Energy-efficient fixtures with higher lumens for limited-space applications.

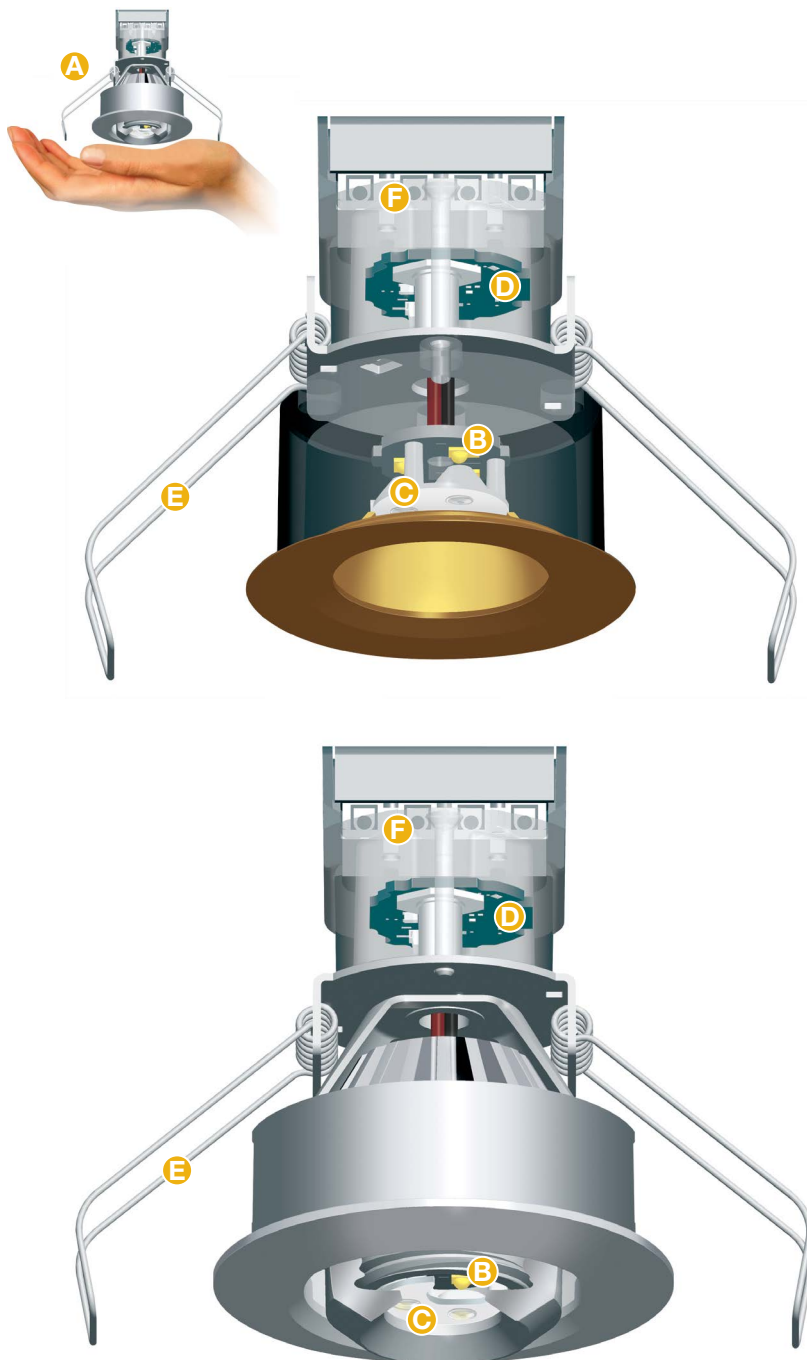
Juno Mini LED Downlights and Gimbals open-up a multitude of task and accent lighting possibilities, especially when installation space is at a premium. These second generation recessed Mini LEDs still require only 5-watt input but feature 50% higher lumens to produce brilliant white light, exceeding the performance of a conventional 20-watt, MR11 light source.

The IC-Rated Mini LED Downlights and Gimbals can squeeze into the tightest of places—whether indoor, outdoor or wet locations—providing the desired “look” with just the right amount of light. They are perfect for niches, bookcases, soffits, displays, elevators or any tight space.



**Think small.
Think square.**

Next Generation Juno Mini LED...



A. Ultra-Compact Design. Able to fit in the palm of your hand, these versatile, miniature fixtures easily integrate into the smallest of spaces. From kitchen soffits to cabinetry and architectural niches... even a wet location version that is perfect for outdoor applications such as under eaves.

B. Super-efficient LED Light engine. The latest generation of high performance LEDs produce over 300 lumens in 2700K, 3000K, 3500K or 4100K; exceeding the performance of 20W halogen MR11 lamps while consuming less than 5-watts of power. 80+CRI color rendering out of an inconspicuous 1" aperture with a 50,000 L70 service life... truly remarkable! Optional 90 CRI minimum also available.

C. Versatile Optics. Precision injection molded spot, narrow flood and flood optics provide maximum versatility for task, accent and even ambient/circulation lighting in low ambient lighting applications such as home theatres.

D. Familiar, easily dimmable 12V AC operation. An onboard 12-volt LED driver allows the mini-downlight and gimbal to be operated off of Class 2 Juno 12-volt electronic or magnetic transformers, eliminating concerns over voltage drop while providing reliable, fool proof dimming using commercially available low voltage style halogen dimmers.

E. Easy installation. Fixtures and the TL602E transformer install from below the ceiling through miniature holes that can be cut using standard 2" or 2-3/8" hole saws. Fixtures grip securely in place on material thicknesses from 1/8" to 1" using easy to use "mouse-trap" springs. And both the fixtures and the TL602E transformer are rated for direct contact with insulation.

F. Simplified daisy-chain wiring. Unlike most low voltage systems which require a home run back to the transformer from each fixture, Juno Mini-Downlights and Gimbals have an integral 4-port terminal block that facilitates fixture to fixture wiring using commonly available type CL2 or NEC equivalent 18-12 AWG wire.

Mini LED Downlight

The Mini LED recessed downlight is IC rated for insulated or non-insulated applications. Direct accent lighting with low glare optic system exceeds the performance of a 20W MR11 and distribution of 20W MR11 halogen lamp. Ideal for both residential and commercial applications. Remote mount Class 2 120V to 12V AC electronic or magnetic transformer required. Designed to provide 50,000 hours of life.

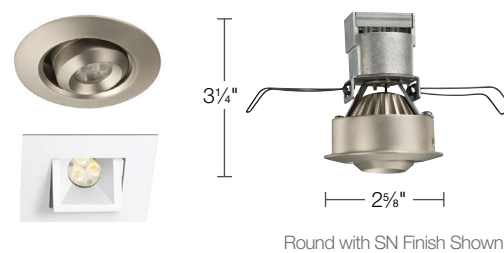
- Color Temperature: 2700K, 3000K, 3500K and 4100K
- CRI: 80 or 90 minimum
- Optic: Spot (16°), Narrow Flood (24°) and Flood (35°)
- Finishes: White, Black, Satin Nickel and Bronze



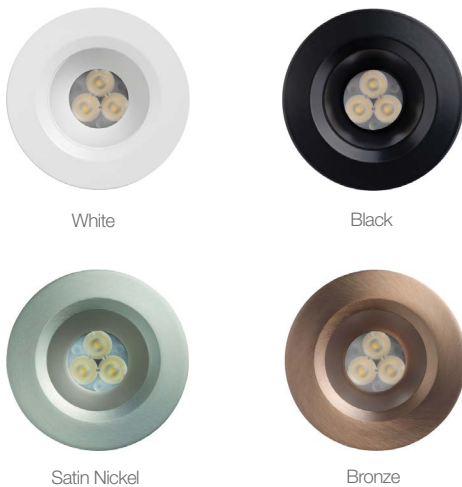
Mini LED Gimbal

The mini LED recessed gimbal is IC rated for insulated or non-insulated applications. Provides 30° aimable accent lighting with performance that exceeds a 20W MR11 halogen lamp. Ideal for both residential and commercial limited space applications. Remote mount Class 2 120V to 12V AC electronic or magnetic transformer required. Designed to provide 50,000 hours of life.

- Color Temperature: 2700K, 3000K, 3500K and 4100K
- CRI: 80 or 90 minimum
- Optic: Spot (16°), Narrow Flood (24°) and Flood (35°)
- Finishes: White, Black, Satin Nickel and Bronze



Finishes

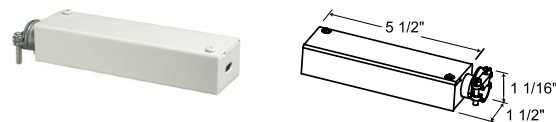


Transformers

Electronic:

10W, 25W and 60W 12V AC Electronic Transformer

- Finish: White
- Available with optional factory installed 6 ft. cord & plug



Magnetic:

10W, 25W and 60W 12V AC Magnetic Transformer

- Finish: Black

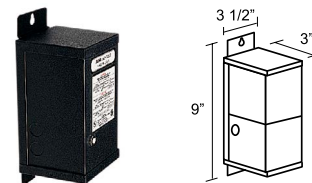


Photo Credits:

Cover: Private Residence, Minneapolis, MN (Alyssa Lee Photography)
Page 2: Acuity Brands Office, Des Plaines, IL



©2016 Acuity Brands Lighting, Inc. The marks appearing in this catalog are trademarks of Acuity Brands Lighting, Inc. Products shown in this brochure may be covered by U.S. and international patents and patents pending. Specifications subject to change without notice. Printed in the U.S.A.