



Catalog Number
Notes
Type

FEATURES & SPECIFICATIONS

INTENDED USE — Designed for applications requiring full light output. Field installed with fluorescent fixture to operate lamp(s), based on one 32W T8 linear lamp. The light output for other lamps will vary, providing optimum glare-free illumination for a minimum of 90 minutes upon interruption of normal power.

CONSTRUCTION — 20-gauge, black steel housing.

Dual-voltage input capability (120V or 277V).

PERFORMANCE — Operates one or two 2' – 4' fluorescent T8 – T12 lamps, one 2' – 4' fluorescent T5, T5HO, T8, T12, H0, VHO, long compact (biax) or one 6' – 8' fluorescent (T8 – T12) for 90 minutes. Compatible with electronic, rapid-start, instant-start, slimline, preheat or trigger start ballasts in standard or energy-saving configurations.

Protects against partial or isolated power outages. Low-glare, shadow-free illumination provides excellent visibility for safe building evacuation.

Unit wires two ways: on night-light circuit (permanently energized) or on switchable circuit (unswitched circuit to battery pack and switched circuit to the fixture ballast). Unit will strike "normally off" lamp.

ELECTRICAL — Constant current series resistor-type charger, provides high efficiency and reliable operation.

High-efficiency push-pull inverter is the most effective method of converting DC power to AC power. It provides maximum light output, battery life and reliability.

AC/LVD reset allows battery connection before AC power is applied and prevents battery damage from deep discharge.

BATTERY — Sealed, maintenance-free, high-temperature nickel cadmium battery. Ensures long life over wide temperature ranges. Battery automatically recharges after a 90-minute discharge.

External battery connectors allow battery pack to be disabled for maintenance and installation.

Pilot light and test switch provide visual and manual means of monitoring system operation. Two 1/2" holes are required to permit mounting of pilot light/test switch in fixture housing.

INSTALLATION — Mounts concealed within the plenum or on top of fixture housing for improved aesthetics and protection from vandalism. Wiring protected by 18" flexible conduit. Remote mounting requires accessory kit ELA PSDMT.

Emergency Ballast may be remote mounted up to 50 feet from fixture or half the distance recommended by the AC ballast manufacturer, whichever is less.

Test switch may be remote mounted up to eight feet from fixture. Order accessory ELA RTS2.

LISTING — UL listed. Meets UL 924, NFPA 101 (current Life Safety Code), NEC and OSHA illumination standards.

WARRANTY — 5-year limited warranty. Complete warranty terms located at:

www.acuitybrands.com/CustomerResources/Terms_and_conditions.aspx

NOTE: Actual performance may differ as a result of end-user environment and application.

Specifications subject to change without notice.

Emergency Ballast

PS3000



ORDERING INFORMATION

Lead times will vary depending on options selected. Consult with your sales representative.

Example: PS3000

Series	
PS3000	PS3000 Emergency Ballast

Accessories ¹ : Order as separate catalog number.	
ELA RTS2	Remote test switch; mounts up to 25' away from fixture
ELA PSDMT	External mounting tray

Notes

- 1 See specification sheets devices [ELA-RTS-TSPLP-PSTS-PSPRSB](#) and [ELA-PSMK-PSMKSD-PSDMT-PSRME](#) for more details.

PS3000 Emergency Ballast

SPECIFICATIONS

BATTERY				
Sealed Nickel-Cadmium				
Voltage	Typical Shelf life ¹	Typical life ¹	Maintenance ²	Optimum temperature ³
14.4	3 years	10 years	none	32–100°F

Notes

- At 77°F.
- All life safety equipment, including emergency lighting for path of egress must be tested in accordance with all National Fire Protection Association (NFPA) and local codes. Failure to perform the required testing could jeopardize the safety of occupants and will void all warranties.
- Ambient temperature range where unit will provide capacity for 90 minutes. Higher and lower temperatures affect life and capacity. Consult factory for detailed information.

ELECTRICAL

Volts	Maximum AC input		Power Factor
	Amps	Watts	
120	.092	9.6	.900
277	.041	10.19	.905

LAMP COMPATIBILITY

Type	Descriptions	Length	Wattage	No. of Lamps
Linear	T5/T5HO	24"-48"	14-54	1
	T8/T12	24"-48"	17-40	1 or 2
	T8/T12	60"-96"	40-75	1
	T12 HO/VHO	24"-96"	35-215	1
CFL (4-pin)	Twin-Tube	N/A	18-50	1
	Quad-Tube	N/A	13-26	1
	Triple-Tube	N/A	26-32	1
	Triple-Tube	N/A	42	1
Other	T9	Circline	20-40	1

All life safety equipment, including emergency lighting for path of egress must be tested in accordance with all National Fire Protection Association (NFPA) and local codes. Failure to perform the required testing could jeopardize the safety of occupants and will void all warranties.

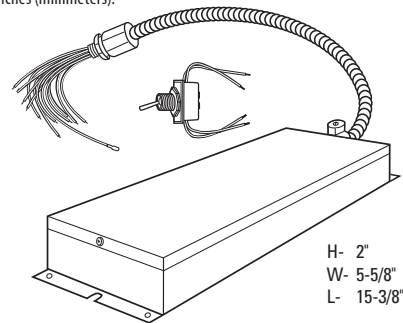
Ambient temperature range where unit will provide capacity for 90 minutes. Higher and lower temperatures affect life and capacity. Consult factory for detailed information.

INITIAL LUMEN OUTPUT TABLE

Type	Description	1 Lamp (lm)	2 Lamps (lm)
T5/T5HO	FP24T5/HO	1450	N/A
	FP28T5	3100	N/A
	FP54T5/HO	1900	N/A
T8	F17T8	2250	2000
	F32T8	4000	3700
	FB31T8	3750	3450
CFL	CF40	3650	N/A
	CF26DT	1750	N/A
	CF32TRT	2750	N/A
	CF42TRT	3300	N/A

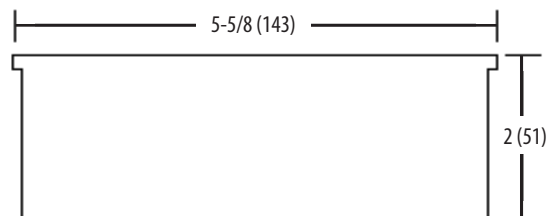
DIMENSIONS

All dimensions are inches (millimeters).



MOUNTING

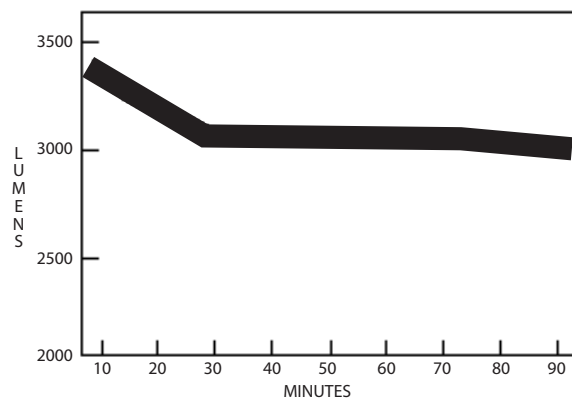
All dimensions are inches (millimeters).



Cross section end view
Length: 15-3/8 (391mm)
Shipping weight: 10.3 lbs (4.7 kg)

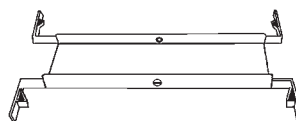
PERFORMANCE

Emergency Lamp Lumen Output

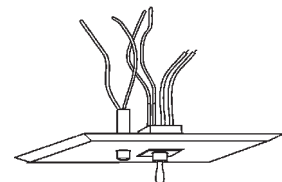


Light output data based on one 32W T8 lamp. Two-lamp operation evenly divides output between the lamps for better distribution of emergency illumination. Light output of other lamp types will vary. Luminaire efficiency and application conditions must be determined to calculate actual illuminance levels.

KEY FEATURES



Remote mounting with the ELA PSDMT Accessory Kit.



Remote Test Switch

