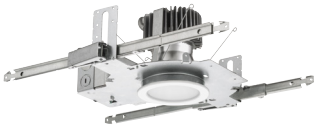


E V O®

4" & 6" CLEAN ROOM DOWNLIGHTS



gotham®



EVO4CR



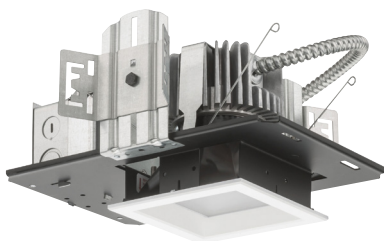
Downlight

Evo Distributions

Solid-state for clean rooms.

Evo Clean room downlight applies precision engineering to applications where stringent specifications exist.

- **ROOM-SIDE ENCLOSURE:** NSF2 Non-Food/Splash Zone and IP66 room-side rating ensures ingress protection to the ceiling and protects from high pressure water spray and vapor. Meets Class 100 (ISO 5) Cleanrooms.
- **CONTROL:** Consistent operation and performance to 1% dimming. Flexible dimming installation, with drivers enabled for 0-10V and DALI, plus an nLight® enabled option.
- **ADDED PROTECTION:** Easy-to-clean, wipe-down trims are supplied with antimicrobial finish inhibiting the growth of microorganisms, such as bacteria, viruses, fungi, algae, mold and mildew.
- **CONSTANT POWER:** Compatible with generator backup devices or can be factory-supplied with an emergency battery pack.

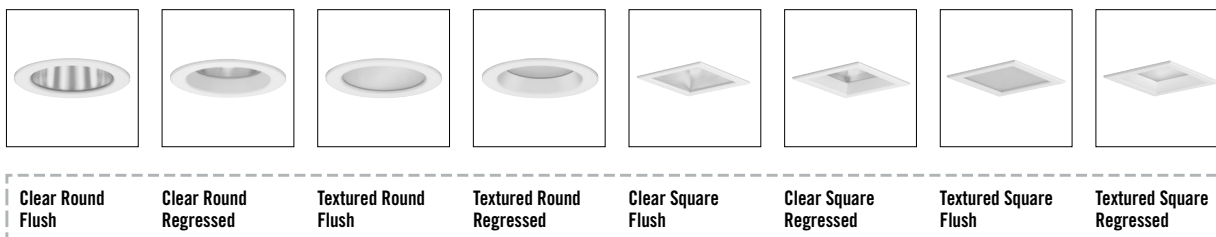


EVO6SQCR

4" & 6" CLEAN ROOM DOWNLIGHTS

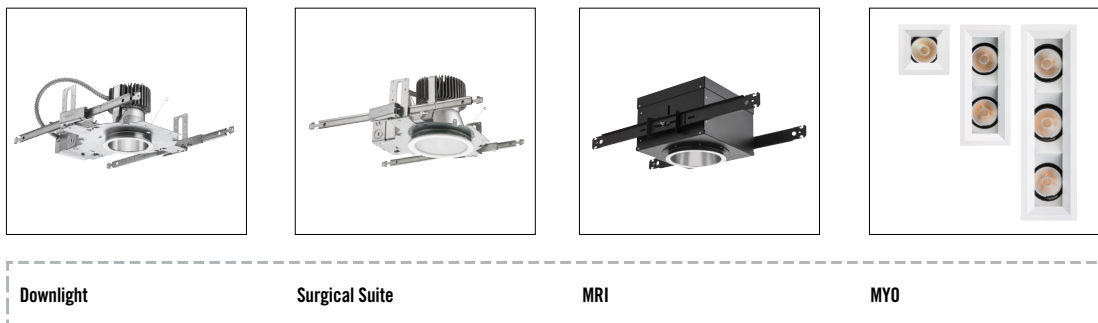
- **DELIVERED LUMENS** — 1000 up to 4000
- **COLOR TEMPERATURES** — 2700K, 3000K, 3500K, 4000K
- **EMERGENCY BACKUP** — Battery pack with remote test switch or generator transfer device options available
- **CONTROL PERFORMANCE** — 0-10V dimming to 10%, 1% or less than 1% and DALI, and nLight enabled options
- **CRI** — 85 typical, 90+ CRI option available
- **APERTURES** — Round & Square, Antimicrobial Finish

Lens options



Gotham Family. Solid-state for healing environments.

The extensive portfolio of Gotham products provides consistent, tailored distributions across downlight, wallwash, and cylinder form factors. Additionally, special application products include decorative, shower and vandal resistant trim options. Special healthcare application versions are also available which include patient room, surgical and MRI downlights. IP66, NSF2 Non-Food/Splash Zone and MIL-STD-461F rated. The Gotham family is perfect for any general illumination application.



For more information or complete specifications go to www.gothamlighting.com or contact your local Acuity Brands Representative.



A+ Certified solutions from Acuity Brands help you quickly and confidently select and implement lighting systems, for indoor or outdoor applications, that are both compatible and consistent.

Go to www.acuitybrands.com/solutions/a-certified or contact your local Acuity Brands representative for more information.