



INSTALLATION INSTRUCTIONS

JUNO 838LED TRIM FOR RETROFIT INTO PL115 STEP LIGHT

WARNING: For your safety, read and understand instructions completely before starting installation.

Before wiring to power supply, turn off electricity at the fuse or circuit breaker box.

NOTE: Juno recessed fixtures are designed to meet the latest NEC requirements and are listed in full compliance with UL 1598. Before attempting installation of any recessed lighting fixture, check your local electrical building code. This code sets the wiring standards and installation requirements for your locality and should be understood before starting work.

SAVE THESE INSTRUCTIONS

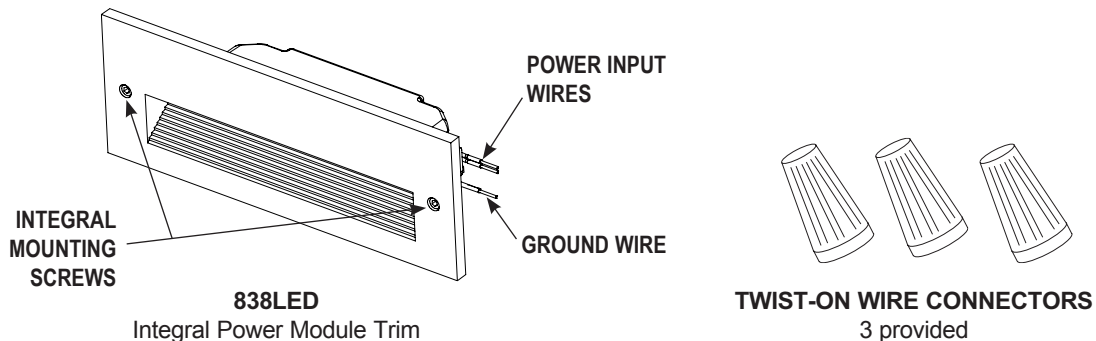
Product Information

Juno's 838LED integral power module trim may be used as a retrofit trim for Juno PL115 compact fluorescent step light housings already installed in application.

The 838LED Retrofit Kit consists of:

- 838LED Integral Power Module Trim with mounting screws
- Twist-on wire connectors for supply wire and ground connections
- Installation Instructions with Wiring Diagram

Check kit contents prior to installation.



WARNING: Risk of fire or electric shock. LED Retrofit Kit installation requires knowledge of luminaires electrical systems. If not qualified, do not attempt installation. Contact a qualified electrician.

WARNING: Risk of fire or electric shock. Install this kit only in the luminaires that have the construction features and dimensions shown in the photographs and/or drawings.

WARNING: To prevent wiring damage or abrasion, do not expose wiring to edges of sheet metal or other sharp objects.

Do not make or alter any open holes in an enclosure of wiring of electrical components during kit installation.

THE RETROFIT ASSEMBLY IS ACCEPTED AS A COMPONENT OF A FLUORESCENT LUMINAIRE WHERE THE SUITABILITY OF THE COMBINATION SHALL BE DETERMINED BY CSA OR AUTHORITIES HAVING JURISDICTION.

IMPORTANT SAFETY INSTRUCTIONS

DANGER - RISK OF SHOCK - DISCONNECT POWER BEFORE INSTALLATION

JUNO 838LED TRIM FOR RETROFIT INTO PL115 STEP LIGHT

Retrofit Trim Installation

Refer to 838LED Retrofit Wiring Diagram (separate page included with kit) to identify electrical components before and after installation.

Step 1. Turn off electricity at circuit breaker.

Prepare existing PL115 housing for retrofit 838LED trim

Step 2. Remove existing trim from housing (835, 836 or 837 trim)

Step 3. Remove lamp.

Step 4. Remove and discard screw and lamp shield (Fig. 1)

Step 5. Remove two screws that hold ballast/socket plate assembly (Fig. 2). Remove ballast/socket plate assembly from housing and disconnect hot and neutral supply wires only. Discard screws and ballast/socket plate assembly. Make certain existing ground connection is maintained.

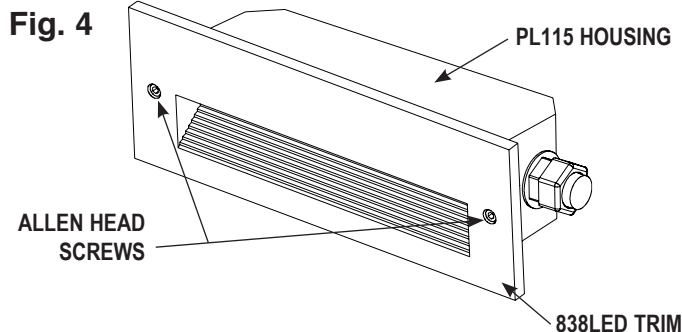
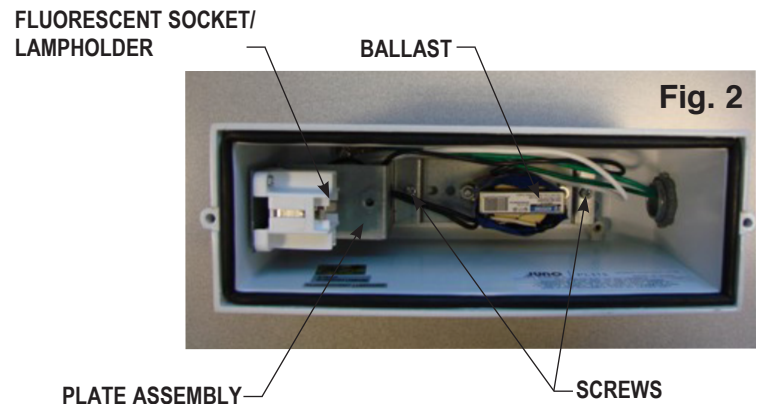
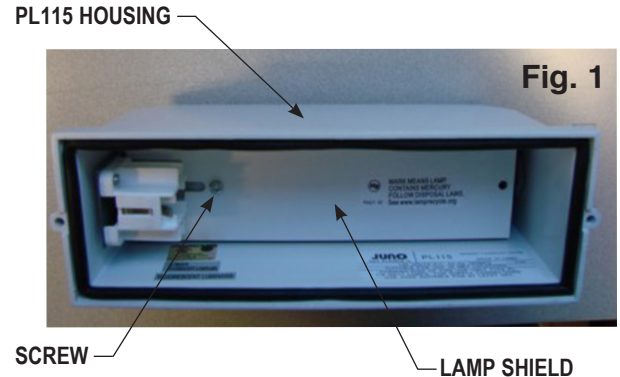
The PL115 housing should be free from all components except supply wires (Fig. 3).

Install 838LED power module trim into PL115 housing

Step 6. Connect supply wires to leads on power module trim (black-to-black, white-to-white) with supplied twist-on connectors so as to cover all bare current carrying conductors. Connect ground wire on 838LED Trim to earth ground using twist-on wire connector supplied with kit.

Step 7. Wipe housing gasket clean to ensure a proper trim seal.

Step 8. Install trim using allen head screws supplied with trim. Trim must be properly sealed against housing gasket to seal out moisture. (Fig. 4.)

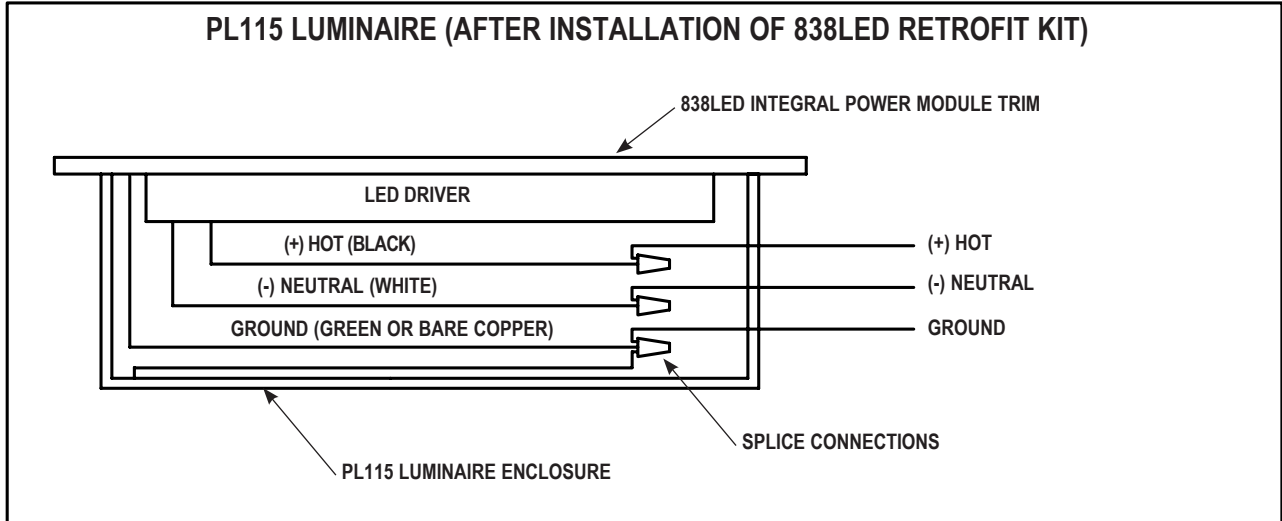
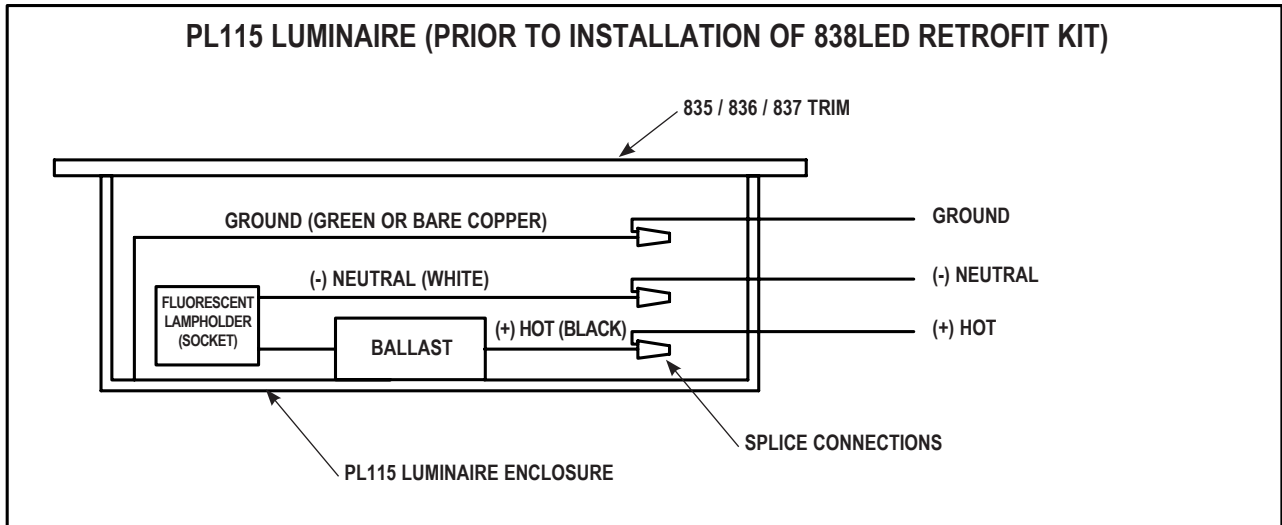


WARRANTY

5-year limited warranty. Complete warranty terms located at www.acuitybrands.com/CustomerResources/Terms_and_conditions.aspx
 Technical Services Phone (888) 387-2212

JUNO 838LED TRIM FOR RETROFIT INTO PL115 STEP LIGHT

838LED RETROFIT KIT WIRING DIAGRAM



Note: The PL115 luminaire enclosure can also be grounded via metal-to-metal contact if using EMT or FMC type metal conduit and connectors for supply wiring.