

FEATURES & SPECIFICATIONS

INTENDED USE — Typical applications include corridors, lobbies.

CONSTRUCTION — Galvanized steel mounting/plaster frame; galvanized steel junction box with bottom-hinged access covers and spring latches.

Vertically adjustable mounting brackets with commercial bar hangers provide 3-3/4" total adjustment. C-channel T-bar fastener options available.

Two combination 1/2"-3/4" and four 1/2" knockouts for straight-through conduit runs. Capacity: 8 (4 in, 4 out). No. 12 AWG conductors, rated for 90°C.

Accommodates 12"-24" joist spacing

Passive cooling thermal management; light engine and drivers are accessible from above or below ceiling
Max ceiling thickness 1-1/2"

OPTICS — 3 SDCM; 80 CRI typical

Diffusing lens covers optical chamber

General illumination 1.0 S/MH

55° cutoff to source and source image

Self-flanged anodized reflectors in specular, semi-specular, or matte diffuse finishes.

ELECTRICAL — Multi-volt 0-10V dimming available.

0-10V dimming drivers mounted to junction box, 10% or 1% minimum dimming level

0-10V dimming fixture requires two (2) additional low-voltage wires to be pulled

70% lumen maintenance at 50,000 hours

LISTINGS — Certified to US and Canadian safety standards. Damp location standard (wet location, covered ceiling optional).

WARRANTY — 5-year limited warranty. Complete warranty terms located at:

www.acuitybrands.com/CustomerResources/Terms_and_conditions.aspx

Note: Actual performance may differ as a result of end-user environment and application.

All values are design or typical values, measured under laboratory conditions at 25 °C.

Specifications subject to change without notice.

Catalog Number
Notes
Type

LDN8

**8" OPEN
Non-IC
New Construction
Downlight**



A+ Capable options indicated by this color background.

ORDERING INFORMATION

Lead times will vary depending on options selected. Consult with your sales representative.

Example: LDN8 35/50 L08AR LSS MVOLT EZ1

LDN8		Color temperature			Lumens			Aperture/Trim Color				Finish		Voltage	
Series	8" round	27/	2700K	50	5000 lumens	120	12000 lumens	L08	Downlight	AR	Clear	LSS	Semi-specular	MVOLT	Multi-volt
		30/	3000K	60	6000 lumens	150	15000 lumens	LW8	Wallwash	WR ¹	White	LD	Matte diffuse	120	120V
		35/	3500K	80	8000 lumens	200	20000 lumens			BR ¹	Black	LS	Specular	277	277V
		40/	4000K	100	10000 lumens									347	347V

Driver	Options					
GZ10 0-10V driver dims to 10%	SF ²	Single fuse	ELRSD	Emergency battery pack with self-diagnostics, remote test switch	NPS80EZ ⁴	nLight® dimming pack controls 0-10V eldoLED drivers (EZ10, EZ1).
GZ1 0-10V driver dims to 1%	TRW ³	White painted flange	E10WCP	Emergency battery pack, 10W Constant Power, CA Title 20 compliant	NPS80EZER ⁴	nLight® dimming pack controls 0-10V eldoLED drivers (EZ10, EZ1). ER controls fixtures on emergency circuit.
EZ10 0-10V eldoLED driver with smooth and flicker-free deep dimming performance down to 10%	TRBL ³	Black painted flange	NPP16D ⁴	nLight® network power/relay pack with 0-10V dimming for non-eldoLED drivers (GZ10, GZ1).	N80 ⁴	nLight™ Lumen Compensation
EZ1 0-10V eldoLED driver with smooth and flicker-free deep dimming performance down to 1%	EL	Emergency battery pack with integral test switch	NPP16DER ⁴	nLight® network power/relay pack with 0-10V dimming for non-eldoLED drivers (GZ10, GZ1). ER controls fixtures on emergency circuit.	GBH	C-channel T-bar fasteners
	ELR ²	Emergency battery pack with integral test switch			WL	Wet location, specify for exterior applications
	ELSD	Emergency battery pack with self-diagnostics, integral test switch			RRL__	Reloc®-ready

Notes

- 1 Not available with finishes.
- 2 Voltage-specific 120, 277V.
- 3 Only available with AR finish.
- 4 Specify voltage. ER for use with generator supply EM power. Will require an emergency hot feed and normal hot feed.
- 5 Fixture begins at 80% light level. Must be specified with NPS80EZ or NPS80EZ ER. Only available with EZ10 and EZ1 drivers.

LDN8

PHOTOMETRY

Distribution Curve

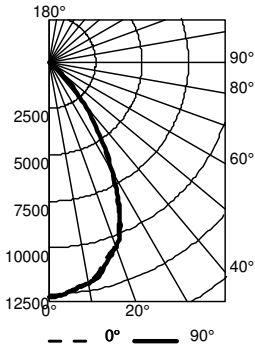
Distribution Data

Output Data

Coefficient of Utilization

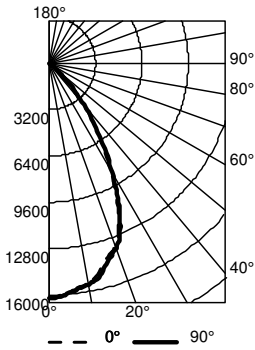
Illuminance Data at 30" Above Floor for a Single Luminaire

LDN8 35/120 L08AR LS, INPUT WATTS: 148.6, DELIVERED LUMENS: 12506.4, LM/W = 84.16, TEST NO. ISF 30850P28



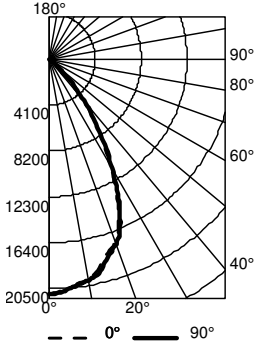
CP Summary		pf	Coefficients of Utilization									Zonal Lumen Summary				
0°	90		80%			70%			50%			Zone	Lumens	% Lamp	% Fixture	
		pc	70%	50%	30%	50%	30%	10%	50%	30%	10%					
0°	12639	12639	0	119	119	119	116	116	116	111	111	111	0° - 30°	8413	67.3	67.3
5°	12358	12418	1	113	111	108	108	106	104	104	103	101	0° - 40°	11338	90.7	90.7
15°	11223	11444	2	108	103	99	101	97	94	98	95	92	0° - 60°	12496	99.9	99.9
25°	8788	8999	3	102	96	90	94	90	86	92	88	84	0° - 90°	12506	100.0	100.0
35°	4493	4731	4	97	89	83	88	83	79	86	81	78	90° - 180°	0	0.0	0.0
45°	1298	1393	5	92	83	77	82	77	72	80	75	72	0° - 180°	12506	100.0	100.0
55°	25	25	6	87	78	72	77	71	67	75	70	67				
65°	6	6	7	82	73	67	72	66	62	71	66	62				
75°	2	2	8	78	68	62	68	62	58	67	61	58				
85°	0	1	9	74	64	58	64	58	54	63	58	54				
90°	0	0	10	71	61	55	60	55	51	59	54	51				

LDN8 35/150 L08AR LS, INPUT WATTS: 184.5, DELIVERED LUMENS: 16024.4, LM/W = 86.85, TEST NO. ISF 30850P25



CP Summary		pf	Coefficients of Utilization									Zonal Lumen Summary				
0°	90		80%			70%			50%			Zone	Lumens	% Lamp	% Fixture	
		pc	70%	50%	30%	50%	30%	10%	50%	30%	10%					
0°	16194	16194	0	119	119	119	116	116	116	111	111	111	0° - 30°	10779	67.3	67.3
5°	15834	15911	1	113	111	108	108	106	104	104	103	101	0° - 40°	14527	90.7	90.7
15°	14381	14663	2	108	103	99	101	97	94	98	95	92	0° - 60°	16012	99.9	99.9
25°	11260	11530	3	102	96	90	94	90	86	92	88	84	0° - 90°	16024	100.0	100.0
35°	5757	6062	4	97	89	83	88	83	79	86	81	78	90° - 180°	0	0.0	0.0
45°	1663	1785	5	92	83	77	82	77	72	80	75	72	0° - 180°	16024	100.0	100.0
55°	32	32	6	87	78	72	77	71	67	75	70	67				
65°	8	8	7	82	73	67	72	66	62	71	66	62				
75°	3	3	8	78	68	62	68	62	58	67	61	58				
85°	0	1	9	74	64	58	64	58	54	63	58	54				
90°	0	0	10	71	61	55	60	55	51	59	54	51				

LDN8 35/200 L08AR LS, INPUT WATTS: 265.4, DELIVERED LUMENS: 20707.9, LM/W = 78.02, TEST NO. ISF 30850P22.

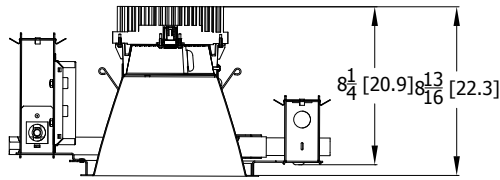
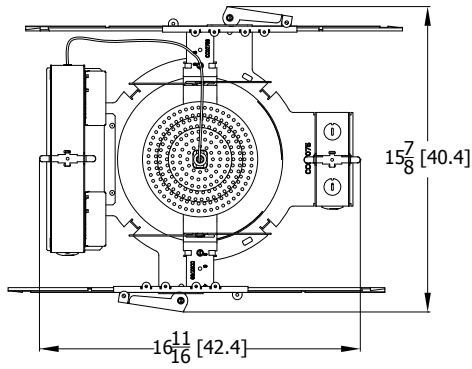


CP Summary		pf	Coefficients of Utilization									Zonal Lumen Summary				
0°	90		80%			70%			50%			Zone	Lumens	% Lamp	% Fixture	
		pc	70%	50%	30%	50%	30%	10%	50%	30%	10%					
0°	20927	20927	0	119	119	119	116	116	116	111	111	111	0° - 30°	13930	67.3	67.3
5°	20462	20561	1	113	111	108	108	106	104	104	103	101	0° - 40°	18773	90.7	90.7
15°	18584	18949	2	108	103	99	101	97	94	98	95	92	0° - 60°	20691	99.9	99.9
25°	14551	14900	3	102	96	90	94	90	86	92	88	84	0° - 90°	20708	100.0	100.0
35°	7440	7834	4	97	89	83	88	83	79	86	81	78	90° - 180°	0	0.0	0.0
45°	2149	2307	5	92	83	77	82	77	72	80	75	72	0° - 180°	20708	100.0	100.0
55°	42	42	6	87	78	72	77	71	67	75	70	67				
65°	10	10	7	82	73	67	72	66	62	71	66	62				
75°	3	3	8	78	68	62	68	62	58	67	61	58				
85°	0	2	9	74	64	58	64	58	54	63	58	54				
90°	0	0	10	71	61	55	60	55	51	59	54	51				

LDN8

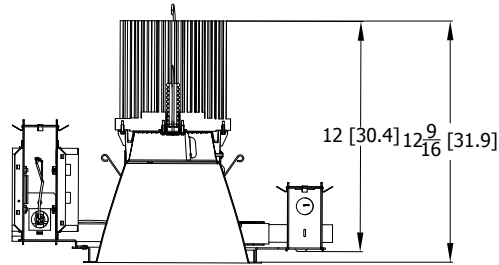
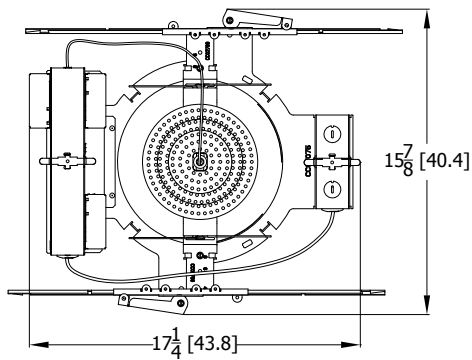
*All dimensions in inches (centimeters) unless otherwise noted.

5000lm-6000lm below



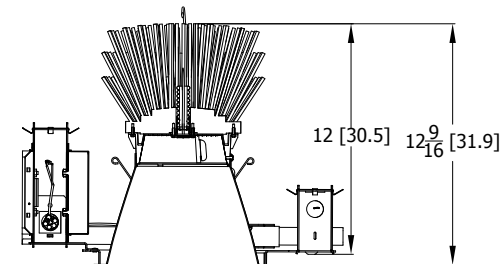
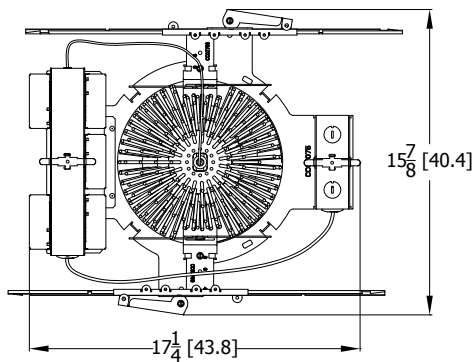
Aperture: $8 \frac{5}{8}$ (21.9)
Ceiling Opening: $8 \frac{3}{4}$ (22.2)

8000lm-12,000lm below



Aperture: $8 \frac{5}{8}$ (21.9)
Ceiling Opening: $8 \frac{3}{4}$ (22.2)

15,000lm-20,000lm below



Aperture: $8 \frac{5}{8}$ (21.9)
Ceiling Opening: $8 \frac{3}{4}$ (22.2)
L 36"x W 36"x H18" marked spacing

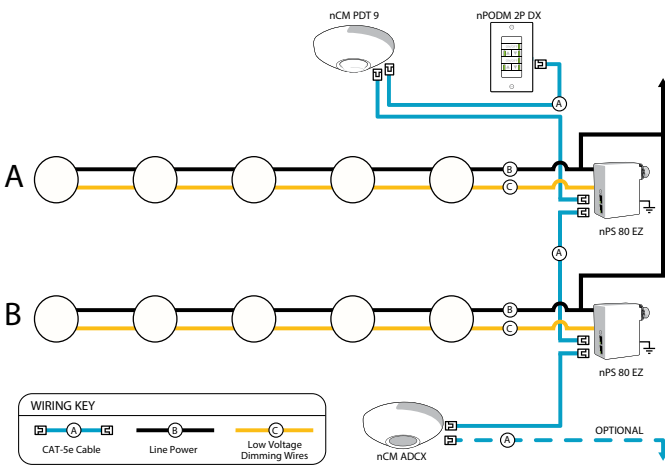
Notes

- Tested in accordance with IESNA LM-79-08.
- Tested to current IES and NEMA standards under stabilized laboratory conditions.
- CRI: 80 typical.

ADDITIONAL DATA

COMPATIBLE 0-10V AND LINE VOLTAGE DIMMERS		
MANUFACTURER	PART NO.	CONTROL DEVICE DIM CURVE
Synergy®	ISD 400 ELV 120	Logarithmic
	ISD 600 I 120	Logarithmic
	ISD 1000 I 120	Logarithmic
Leviton®	IllumaTech-IPE04	Logarithmic
	IllumaTech-IPI06	Logarithmic
	IllumaTech-IPI10	Logarithmic
	IllumaTech-IPL06-10	Logarithmic
	Sureslide 6633-P 600-watt 3-way	Linear
	Sureslide 6674-P 600-watt single pole	Linear
	Sureslide 6674-P 600-watt 3-way	Linear

WATTAGE CONSUMPTION MATRIX			
Nominal Lumens @ 3500K	Delivered Lumens	Wattage	LPW
5000	5353	61.1	87.6
6000	6138	73	84.1
8000	8520	92.1	92.5
10000	10582	118.83	89.1
12000	12506	148.7	84.1
15000	16025	184.5	86.9
20000	20707	265.4	78.0



nLight® Control Accessories: Order as separate catalog number. Visit www.sensorswitch.com/nLight for complete listing of nLight controls.			
WallPod stations	Model number	Occupancy sensors	Model number
On/Off	nPODM [color]	Small motion 360°, ceiling (PIR / dual tech)	nCM 9 / nCM PDT 9
On/Off & Raise/Lower	nPODM DX [color]	Large motion 360°, ceiling (PIR / dual tech)	nCM 10 / nCM PDT 10
Graphic Touchscreen	nPOD GFX [color]	Wide view (PIR / dual tech)	nWV 16 / nWV PDT 16
Photocell controls	Model number	Wall Switch w/ Raise/Lower (PIR / dual tech)	nWSX LV DX / nWSX PDT LV DX
Dimming	nCM ADCX	Cat-5 cables (plenum rated)	Model number
		10', CAT5 10FT	CAT5 10FT J1
		15', CAT5 15FT	CAT5 15FT J1

A+ Capable Luminaire

This item is an A+ capable luminaire, which has been designed and tested to provide consistent color appearance and out-of-the-box control compatibility with simple commissioning.

- All configurations of this luminaire meet the Acuity Brands' specification for chromatic consistency
- This luminaire is part of an A+ Certified solution for nLight® control networks when ordered with drivers marked by a **shaded background***
- This luminaire is part of an A+ Certified solution for nLight control networks, providing advanced control functionality at the luminaire level, when selection includes driver and control options marked by a **shaded background***

To learn more about A+, visit www.acuitybrands.com/aplus.

*See ordering tree for details