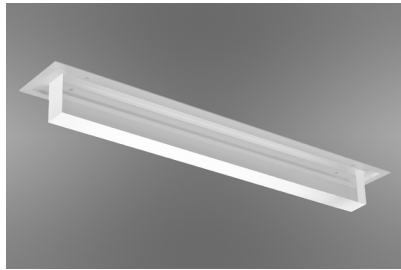


MARK ARCHITECTURAL LIGHTING™



The Fin LED Series

Fin LED is a decorative accent fixture with a clean, geometric form that complements any environment. Versatile and ornamental, it is perfect for making an aesthetic statement, creating intriguing patterns of light or enhancing other design elements.

Fin can be mounted horizontally or vertically and is available in a choice of clear sides with frosted edges or frosted sides with frosted edges. Lengths range from 2 to 8 feet, and the depth below the fixture door can be 2, 3 or 4 inches.

Type:

Project:

Catalog Number:

DO NOT TYPE HERE. Autopopulated field.

Specification Features

Housing

Housing and internal components fabricated from 20-gauge, cold-rolled steel.

Finish

Matte white.

Reflector

Precision-formed steel; high reflectant white.

Shielding

Nominal 1 1/2"-thick acrylic fin.

LED Components

Linear:
Nichia® - LED chips (>80 CRI)
Normal Output: 6 W/LF
Hi Output: 12 W/LF

Driver

AccuDrive LED Driver allows for 0-10V dimming, flicker-free from 2 to 100%. Universal input voltage 120-277VAC, 50/60Hz. Integrated thermal fold-back management to prevent over heating.

Color Consistency

The Acuity Brands circuit boards for the linear LED components use a precise

binning algorithm which creates a consistent color temperature from board to board. The color variation of no greater than a 2.5 Step MacAdam (2.5SDCM) along the black body locus from board to board.

Integrated Controls

Standard nLight® embedded controls make luminaire addressable- allowing it to digitally communicate with other nLight enabled controls such as dimmers, switches, occupancy sensors and photocontrols. Simply connect all the nLight enabled control devices using standard CAT5 Cabling.

Mounting

Recessed in sheetrock ceiling or grid; rod-mounted to structure.

Certification

CSA certified to meet U.S. and Canadian standards, rated for Chicago plenum.

Warranty

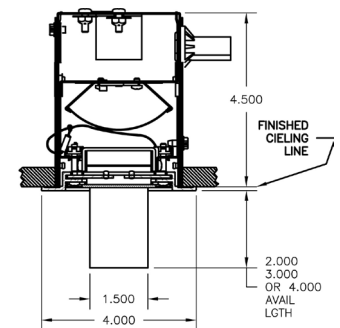
5-year limited warranty. Complete warranty terms located at: www.acuitybrands.com/CustomerResources/TermsandConditions.aspx

Note: Actual performance may differ as a result of end-user environment and application.

All values are design or typical values, measured under laboratory conditions at 25 °C.

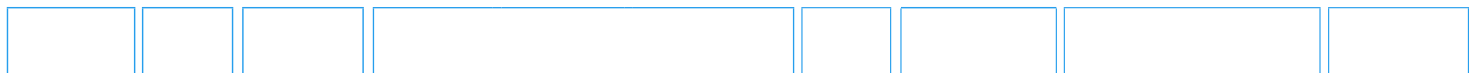
Specifications subject to change without notice.

Technical Drawings



Ordering

Example: FINL 2FT 2D N35AD 120 CF



Series	Length	Fin Depth Below Face of Door	Linear LED Output ¹	Linear LED Color Temp	Driver	Voltage	Finish	Integrated Controls	Options
FINL Fin LED	2FT 2'	2D 2"	N 6W/LF 40 LM/W	30 3000K ≥80 CRI	AD Constant Current Driver, 0-10V 10% Dimming	120 277	CF Clear sides, frosted edges FF Frosted sides, frosted edges	(Blank) No controls	CP Chicago plenum
	3FT 3'	3D 3"						N100 N100 nLight without Lumen mgt	DPL Damp location listing
	4FT 4'	4D 4"	H 12W/LF 40 LM/W	N100EMG N100 nLight without Lumen mgt for use with generator supply EM power					
	5FT 5'		40 4000K ≥80 CRI	NX Dimming, No nLight					
	6FT 6'			ECO Lutron Ecosystem Interface Module					
	8FT 8'								

Fixture Performance - FIN 4 2D

Lumens Output	Normal		High	
	FF	CF	FF	CF
Delivered Lumens	918	970.5	1663.8	1860
Input Watts	27.49	27.52	46.37	46.34
Lumens/Watt	33.39	35.26	35.88	40.13

Notes

1. Refer to chart for wattage and lumen output.

*CCT (35K)
*Consult factory for customized lumen and wattage
*Based on calculated values