



READ AND FOLLOW ALL SAFETY INSTRUCTIONS!
SAVE THESE INSTRUCTIONS AND DELIVER TO OWNER AFTER INSTALLATION

- To reduce the risk of death, personal injury or property damage from fire, electric shock, falling parts, cuts/abrasions, and other hazards please read all warnings and instructions included with and on the fixture box and all fixture labels.
- Before installing, servicing, or performing routine maintenance upon this equipment, follow these general precautions.
- Installation and service of luminaires should be performed by a **qualified licensed electrician**.
- Maintenance of the luminaires should be performed by person(s) familiar with the luminaires' construction and operation and any hazards involved. Regular fixture maintenance programs are recommended.
- It will occasionally be necessary to clean the outside of the refractor/lens. Frequency of cleaning will depend on ambient dirt level and minimum light output which is acceptable to user. Refractor/lens should be washed in a solution of warm water and any mild, non-abrasive household detergent, rinsed with clean water and wiped dry. Should optical assembly become dirty on the inside, wipe refractor/lens and clean in above manner, replacing damaged gaskets as necessary.
- **DO NOT INSTALL DAMAGED PRODUCT!** This luminaire has been properly packed so that no parts should have been damaged during transit. Inspect to confirm. Any part damaged or broken during or after assembly should be replaced.
- Recycle: For information on how to recycle LED electronic products, please visit www.epa.gov.
- These instructions do not purport to cover all details or variations in equipment nor to provide every possible contingency to meet in connection with installation, operation, or maintenance. Should further information be desired or should particular problems arise which are not covered sufficiently for the purchaser's or owner's purposes, this matter should be referred to Acuity Brands Lighting, Inc.




WARNING
RISK OF ELECTRIC SHOCK

- ✓ Disconnect or turn off power before installation or servicing.
- ✓ Verify that supply voltage is correct by comparing it with the luminaire label information.
- ✓ Make all electrical and grounded connections in accordance with the National Electrical Code (NEC) and any applicable local code requirements.
- ✓ All wiring connections should be capped with UL approved recognized wire connectors.




WARNING
RISK OF BURN

- ✓ Allow lamp/fixture to cool before handling. Do not touch enclosure or light source.
- ✓ Do not exceed maximum wattage marked on luminaire label.
- ✓ Follow all manufacturer's warnings, recommendations and restrictions for: driver type, burning position, mounting locations/methods, replacement and recycling.



CAUTION
RISK OF INJURY

- ✓ Wear gloves and safety glasses at all times when removing luminaire from carton, installing, servicing or performing maintenance.
- ✓ Avoid direct eye exposure to the light source while it is on.



CAUTION
RISK OF FIRE

- ✓ Keep combustible and other materials that can burn, away from lamp/lens.
- ✓ Do not operate in close proximity to persons, combustible materials or substances affected by heat or drying.



CAUTION: RISK OF PRODUCT DAMAGE

- ✓ Never connect components under load.
- ✓ Do not mount or support these fixtures in a manner that can cut the outer jacket or damage wire insulation.
- ✓ Unless individual product specifications deem otherwise: Never connect an LED product directly to a dimmer packs, occupancy sensors, timing devices, or other related control devices. LED fixtures must be powered directly off a switched circuit.
- ✓ Unless individual product specifications deem otherwise: Do not restrict fixture ventilation. Allow for some volume of airspace around fixture. Avoid covering LED fixtures with insulation, foam, or other material that will prevent convection or conduction cooling.
- ✓ Unless individual product specifications deem otherwise: Do not exceed fixtures maximum ambient temperature.
- ✓ Only use fixture in its intended location.
- ✓ LED products are Polarity Sensitive. Ensure proper Polarity before installation.
- ✓ Electrostatic Discharge (ESD): ESD can damage LED fixtures. Personal grounding equipment must be worn during all installation or servicing of the unit.
- ✓ Do not touch individual electrical components as this can cause ESD, shorten lamp life, or alter performance.
- ✓ Some components inside the fixture may not be serviceable. In the unlikely event your unit may require service, stop using the unit immediately and contact an ABL representative for assistance.
- ✓ Always read the fixtures complete installation instructions prior to installation for any additional fixture specific warnings.

Please see product specific installation instructions for additional warnings or any applicable FCC or other regulatory statements.

Failure to follow any of these instructions could void product warranties. For a complete listing of product Terms and Conditions, please visit www.acuitybrands.com.

Our Brands	Indoor/Outdoor Lithonia Lighting Carandini Holophane RELOC Light Concepts	Indoor Lighting Gotham Mark Architectural Lighting Peerless Renaissance Lighting Winona Lighting	Outdoor Lighting American Electric Lighting Antique Street Lamps Hydrel Tersen	Controls DARK TO LIGHT LC&D ROAM Sensor Switch Synergy	Daylighting SunOptics
-------------------	--	---	--	---	--------------------------


Acuity Brands Lighting, Inc. assumes no responsibility for claims arising out of improper or careless installation or handling of its products.

ABL LED General Warnings, Form No. 503.203

© 2010 Acuity Brands Lighting, Inc. All rights reserved. 12/01/10


**READ AND FOLLOW ALL SAFETY INSTRUCTIONS!
SAVE THESE INSTRUCTIONS AND DELIVER TO OWNER AFTER INSTALLATION**

- To reduce the risk of death, personal injury or property damage from fire, electric shock, falling parts, cuts/abrasions, and other hazards please read all warnings and instructions included with and on the fixture box and all fixture labels.
- Before installing, servicing, or performing routine maintenance upon this equipment, follow these general precautions.
- Installation and service should be performed by a **qualified licensed electrician**.
- Maintenance should be performed by qualified person(s) familiar with the products' construction and operation and any hazards involved. Regular maintenance programs are recommended.
- **DO NOT INSTALL DAMAGED PRODUCT!** This product has been properly packed so that no parts should have been damaged during transit. Inspect to confirm. Any part damaged or broken during or after assembly should be replaced.
- These instructions do not purport to cover all details or variations in equipment nor to provide every possible contingency to meet in connection with installation, operation, or maintenance. Should further information be desired or should particular problems arise which are not covered sufficiently for the purchaser's or owner's purposes, this matter should be referred to Acuity Brands Lighting, Inc.




WARNING
RISK OF ELECTRIC SHOCK

- ✓ Disconnect or turn off power before installation or servicing.
- ✓ Verify that supply voltage is correct by comparing it with the product information.
- ✓ Make all electrical and grounded connections in accordance with the National Electrical Code (NEC) and any applicable local code requirements.
- ✓ All wiring connections should be capped with UL approved recognized wire connectors.
- ✓ All unused connector openings must be capped.



WARNING
RISK OF BURN or FIRE

- ✓ Do not exceed maximum wattage, ratings, or published operating conditions of product.
- ✓ Do not overload.
- ✓ Follow all manufacturer's warnings, recommendations and restrictions to ensure proper operation of product.



CAUTION
RISK OF INJURY

- ✓ Wear gloves and safety glasses at all times when installing, servicing or performing maintenance.

Always read the fixtures complete installation instructions prior to installation for any additional fixture specific warnings.

Failure to follow any of these instructions could void product warranties. For a complete listing of product Terms and Conditions, please visit www.acuitybrands.com.

<p>Our Brands</p> <ul style="list-style-type: none"> Indoor/Outdoor Lithonia Lighting Carandini Holophane RELOC Light Concepts 	<ul style="list-style-type: none"> Indoor Lighting Gotham Mark Architectural Lighting Peerless Renaissance Lighting Winona Lighting 	<ul style="list-style-type: none"> Outdoor Lighting American Electric Lighting Antique Street Lamps Hydrel Tersen 	<ul style="list-style-type: none"> Controls DARK TO LIGHT LC&D ROAM Sensor Switch Synergy 	<ul style="list-style-type: none"> Daylighting SunOptics
---	---	--	---	--

Acuity Brands Lighting, Inc. assumes no responsibility for claims arising out of improper or careless installation or handling of its products.

ABL LED General Warnings, Form No. 503.203

© 2010 Acuity Brands Lighting, Inc. All rights reserved. 12/01/10



CAUTION: RISK OF PRODUCT DAMAGE

- ✓ Electrostatic Discharge (ESD): ESD can damage product(s). Personal grounding equipment must be worn during all installation or servicing of the unit.
- ✓ Do not touch individual electrical components as this can cause ESD and affect product performance.
- ✓ Do not stretch or use cable sets that are too short or are of insufficient length.
- ✓ Do not tamper with contacts.
- ✓ Do not modify the product.
- ✓ Do not change or alter internal wiring or installation circuitry.
- ✓ Do not use product for anything other than its intended use.
- ✓ If installing latching springs: ensure that the springs are fully engaged prior to moving to next connection.
- ✓ If installing wiring systems: Materials and component parts of a manufacturing wiring system as described in Article 604 of the National Electric Code and Underwriters Laboratories Standard for Safety #183 **MUST BE** installed.

Please see product specific installation instructions for additional warnings or any applicable FCC or other regulatory statements.

Failure to follow any of these instructions could void product warranties. For a complete listing of product Terms and Conditions, please visit www.acuitybrands.com.

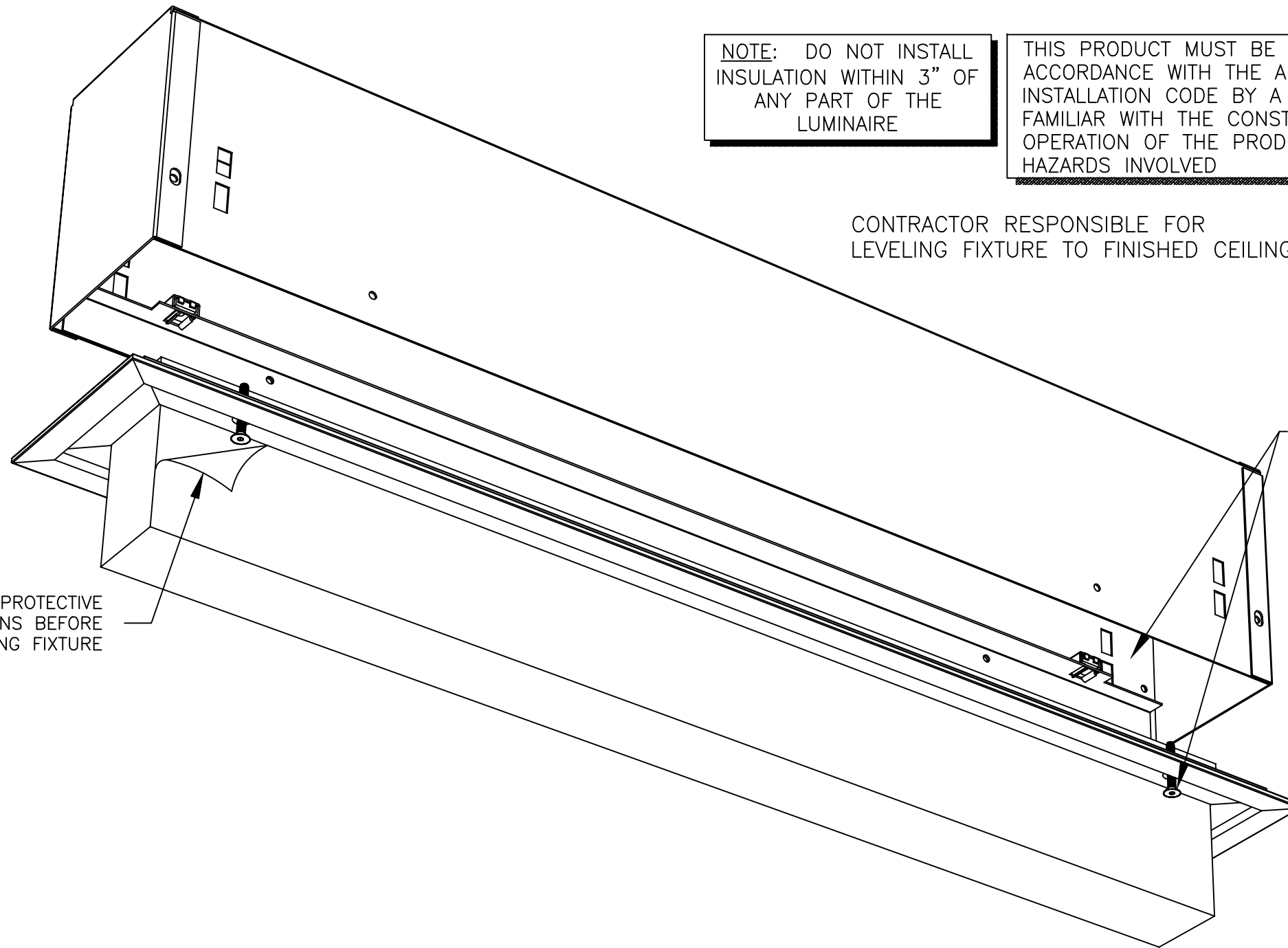
Our Brands	Indoor/Outdoor Lithonia Lighting Carandini Holophane RELOC Light Concepts	Indoor Lighting Gotham Mark Architectural Lighting Peerless Renaissance Lighting Winona Lighting	Outdoor Lighting American Electric Lighting Antique Street Lamps Hydrel Tersen	Controls DARK TO LIGHT LC&D ROAM Sensor Switch SynergySwitch	Daylighting SunOptics
-------------------	--	---	--	---	--------------------------

Acuity Brands Lighting, Inc. assumes no responsibility for claims arising out of improper or careless installation or handling of its products.

ABL LED General Warnings, Form No. 503.203

© 2010 Acuity Brands Lighting, Inc. All rights reserved. 12/01/10

Rev.	Description	Date	By



NOTE: DO NOT INSTALL INSULATION WITHIN 3" OF ANY PART OF THE LUMINAIRE

THIS PRODUCT MUST BE INSTALLED IN ACCORDANCE WITH THE APPLICABLE INSTALLATION CODE BY A PERSON FAMILIAR WITH THE CONSTRUCTION AND OPERATION OF THE PRODUCT AND THE HAZARDS INVOLVED

CONTRACTOR RESPONSIBLE FOR LEVELING FIXTURE TO FINISHED CEILING

SUCURE LENS ASSEMBLY TO HOUSING WITH PROVIDED HARDWARE AS NEEDED

IMPORTANT:
SEE ALSO SEPARATE SHEET FOR SAFETY CABLE INSTALLATION INSTRUCTIONS.

SEE SEPARATE SHEET FOR SIDE RAIL COVER INSTALLATION.

NOTE: REMOVE PROTECTIVE PAPER FROM LENS BEFORE ENERGIZING FIXTURE

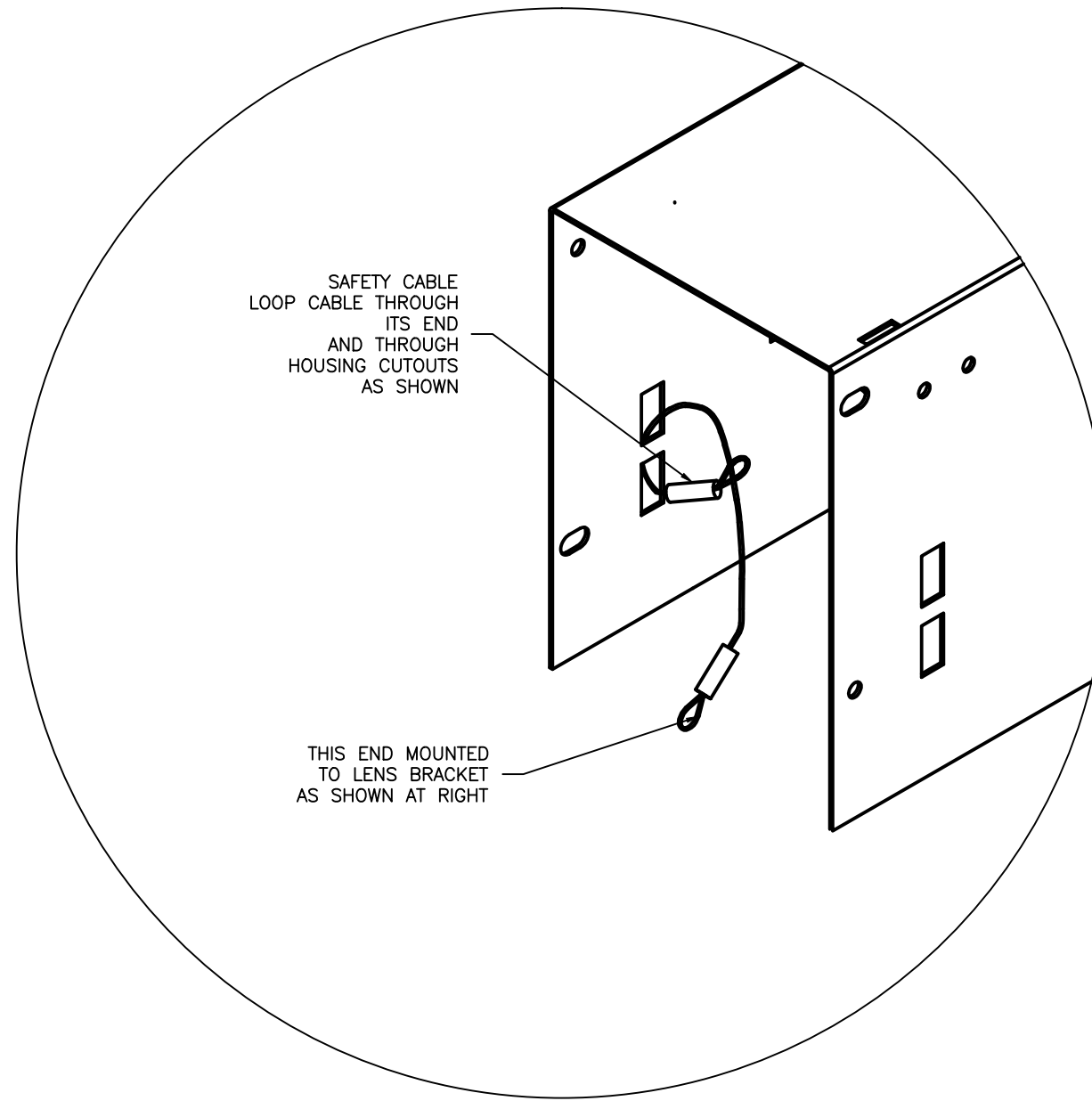
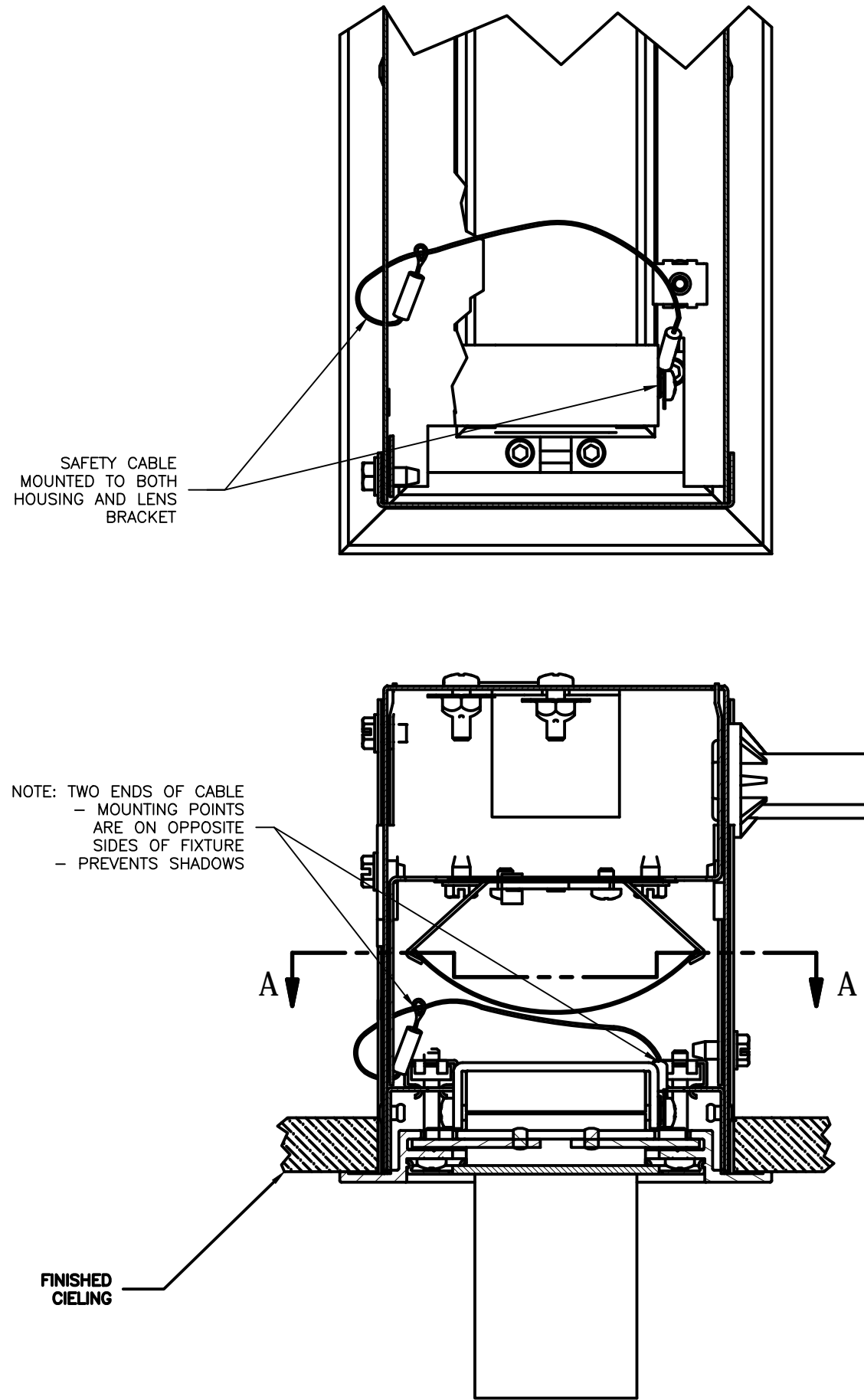
PROJECT:

Material:	 Mark Architectural Lighting 3 Kilmer Rd. Edison, NJ. 08817 T (732) 985-2600 F (732) 985-8441 marklighting.com	Description: INSTALLATION INSTRUCTIONS FIN LED SERIES		
Gauge:		Finish:	Qty:	
Type:		By:	Date:	Scale:
C/S:		Dwg. no.:	Size:	Rev.
Qty./Sht.:		13-1035 Sheet 1 of 4	B	1

This document, the designs and information presented hereon are the confidential and proprietary property of Mark Architectural Lighting and is presented for the sole use of conveying product data to our customer. The use, reproduction or divulging of its contents without the consent or knowledge of Mark Architectural Lighting is prohibited.

Rev.	Description	Date	By

SAFETY CABLES INSTALLATION DETAILS



TYP BOTH ENDS OF FIXTURE

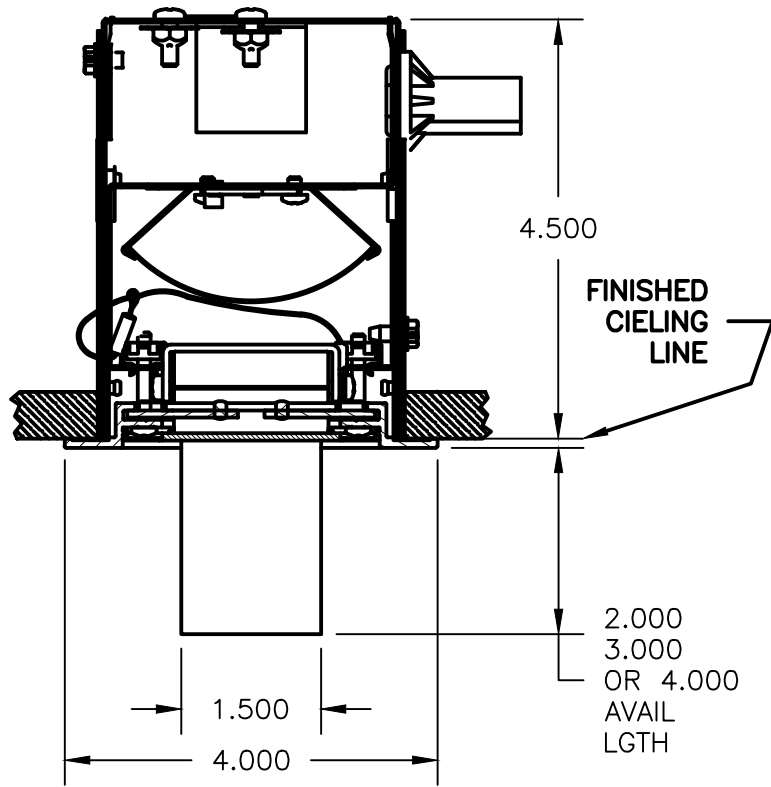
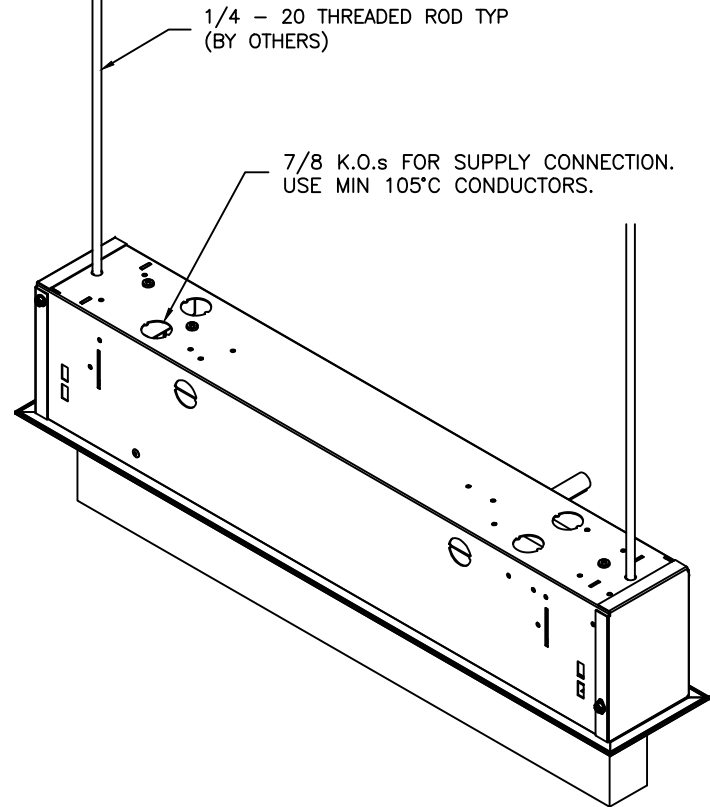
PROJECT:

Material:	 Mark Architectural Lighting 3 Kilmer Rd. Edison, NJ, 08817 T (732) 985-2600 F (732) 985-8441 marklighting.com	Description: INSTALLATION INSTRUCTIONS FIN LED SERIES		
Gauge:		Finish:	Qty:	
Tape:		By:	Date:	Scale:
C/S:		Dwg. no.:	Size:	Rev.
Qty./Sht.:		13-1035 Sheet 2 of 4	B	1

This document, the designs and information presented hereon are the confidential and proprietary property of Mark Architectural Lighting and is presented for the sole use of conveying product data to our customer. The use, reproduction or divulging of its contents without the consent or knowledge of Mark Architectural Lighting is prohibited.

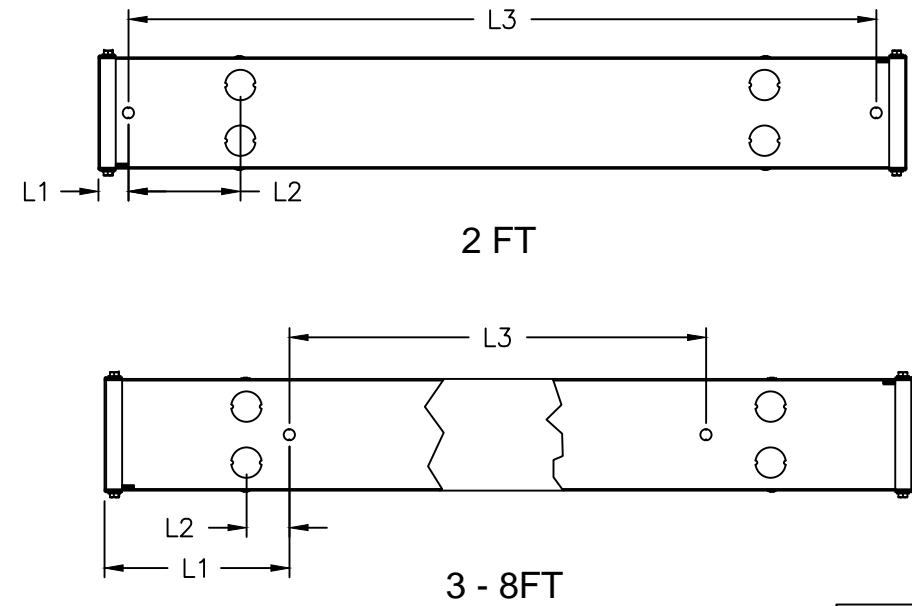
Rev.	Description	Date	By

SHEET ROCK INSTALLATION DETAILS



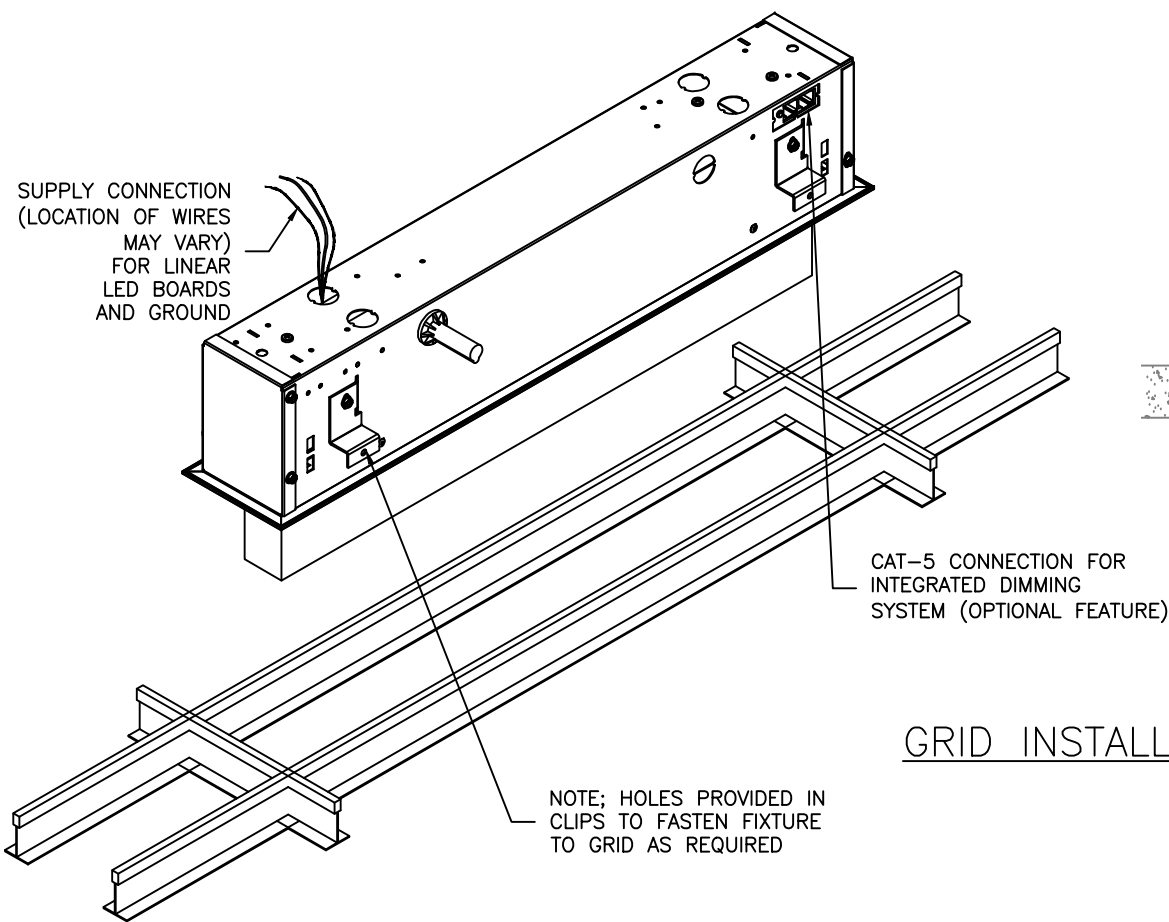
SECTION VIEW FROM END OF FIXTURE

MOUNTING LOCATION DETAILS

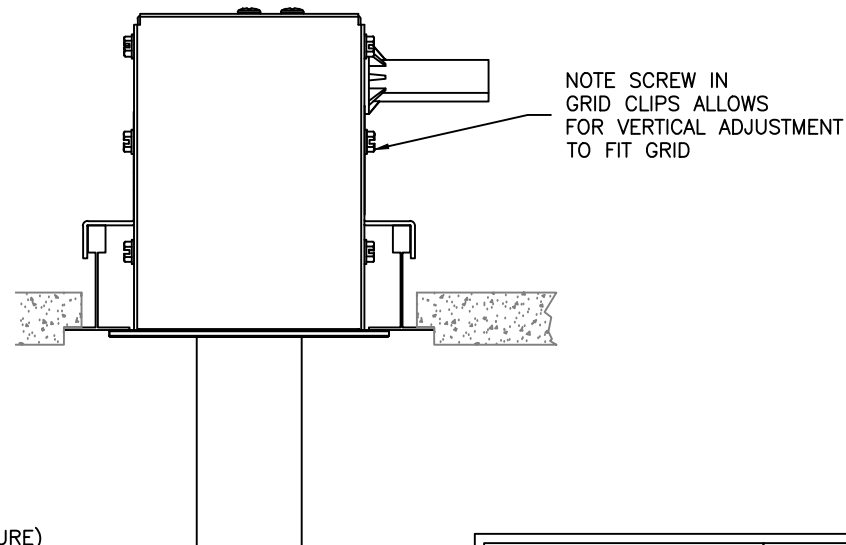


CEILING CUTOUT		
	WIDTH	LENGTH
2FT	3 3/8"	23 3/8"
3FT	3 3/8"	35 3/8"
4FT	3 3/8"	47 3/8"
5FT	3 3/8"	59 3/8"
6FT	3 3/8"	71 3/8"
8FT	3 3/8"	95 3/8"

NOM FIXT LGTH	MTG AND FEED LOCATIONS		
	L1	L2	L3
2FT	0.865	4.065	21.400
3FT	6.033	2.000	23.063
4FT	6.033	2.000	35.063
5FT	8.033	2.000	43.063
6FT	8.033	2.000	55.063
7FT	8.033	2.000	67.063
8FT	8.333	2.000	79.063



GRID INSTALLATION DETAILS



PROJECT:

Material:	 <p>Mark Architectural Lighting 3 Kilmer Rd. Edison, NJ. 08817 T (732) 985-2600 F (732) 985-8441 marklighting.com</p>	Description: INSTALLATION INSTRUCTIONS FIN LED SERIES		
Gauge:		Finish:	Qty:	
Tape:		By:	Date:	Scale:
C/S:		Dwg. no.:	Size:	Rev.
Qty./Sht.:		13-1035 Sheet 3 of 4	B	1

Rev.	Description	Date	By

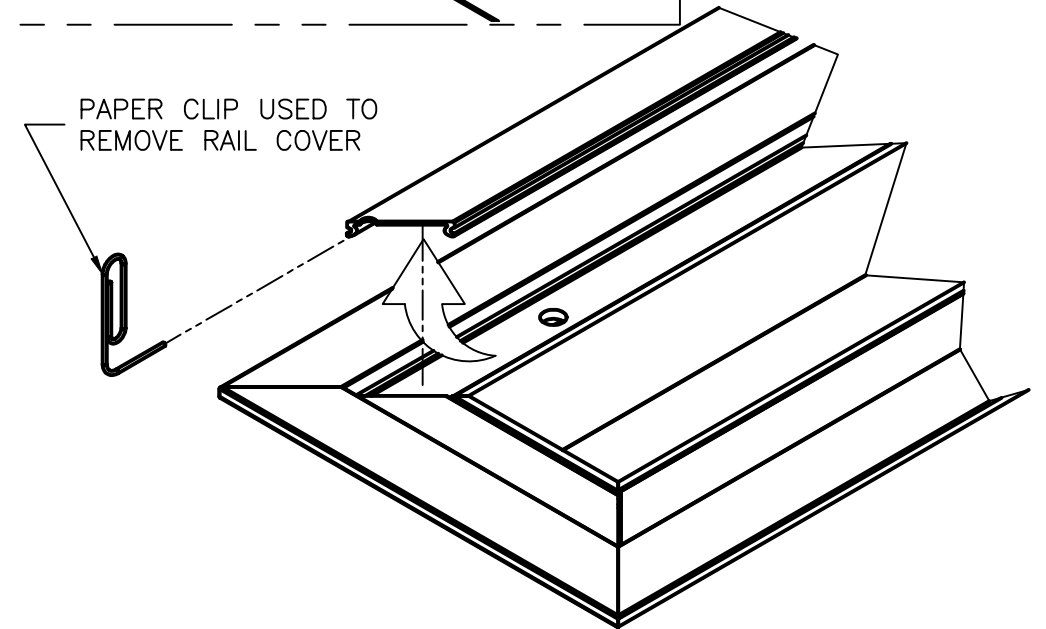
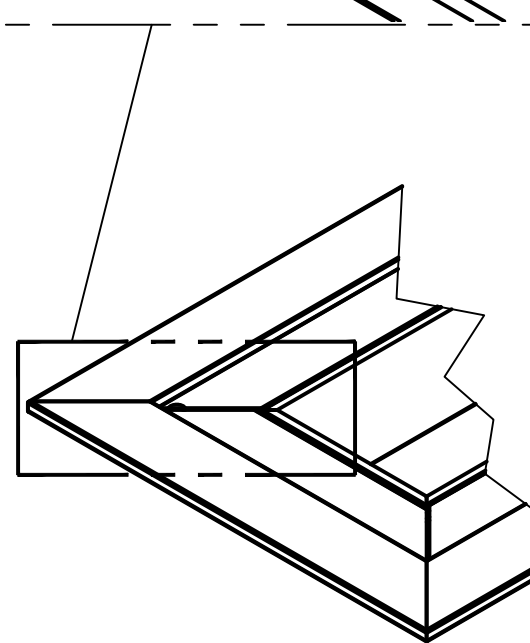
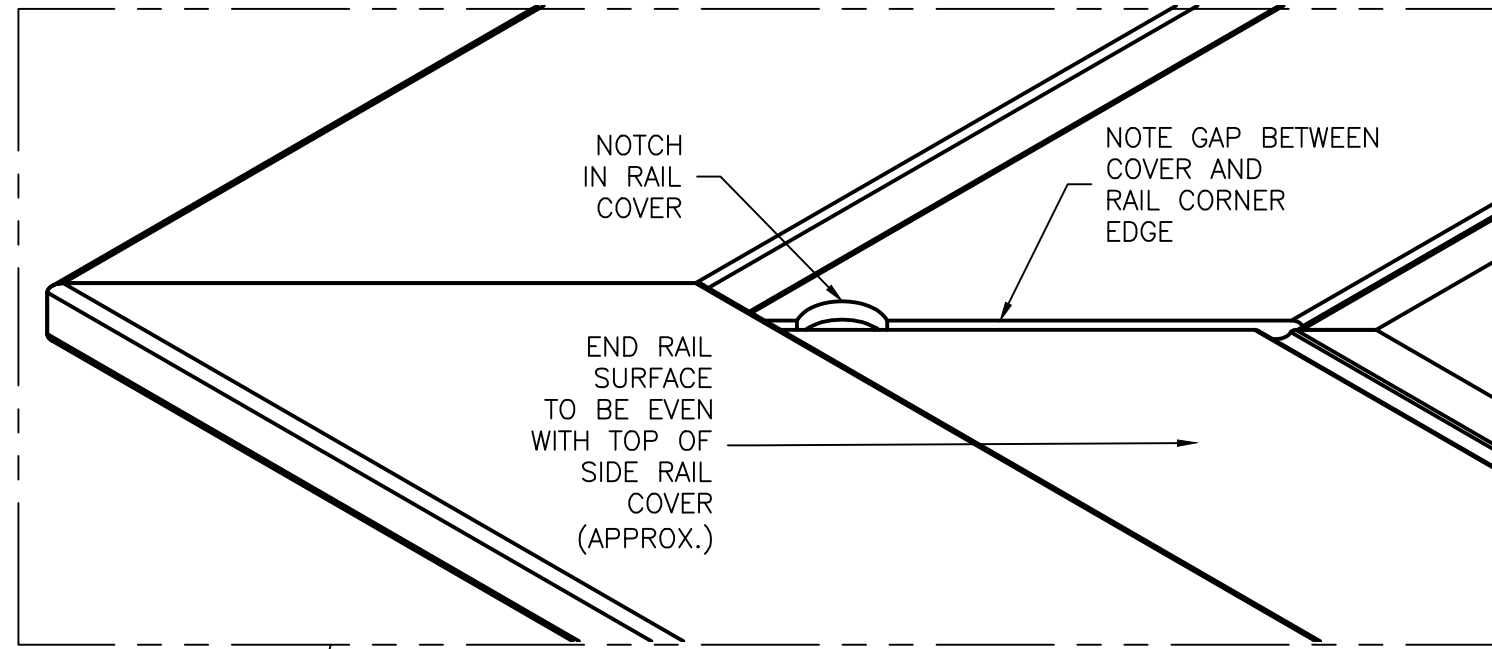
INSTALLING AND REMOVING SIDE RAIL COVER

RAIL COVER INSTALLATION:
 STARTING AT ONE END. ALIGN ANGLED EDGE OF RAIL COVER WITH ANGLED EDGE OF SIDE RAIL. PRESS COVER DOWN INTO SLOT IN RAIL, APPLYING PRESSURE WITH FINGERS AND MOVING POINT OF PRESSURE ALONG LENGTH OF RAIL SLOT. ONCE COVER PRESSED IN, ADJUST COVER SUCH THAT THERE IS AN EVEN GAP ON BOTH SIDES FROM RAIL CORNER EDGES TO ANGLED EDGES OF COVER. (SEE GAP NOTED ON COVER REMOVAL DIAGRAM.)
 NOTE: ENSURE THAT CORNERS OF COVER ARE FULLY SEATED IN RAIL SLOT. TOP OF COVER SHOULD BE APPROXIMATELY LEVEL WITH CORRESPONDING AREA ON END RAIL.

RAIL COVER REMOVAL:
 BE CAREFUL WHEN REMOVING COVER SO AS TO AVOID DAMAGING IT. LOCATE NOTCH IN END OF RAIL COVER TO BE REMOVED. USE PAPER CLIP OR OTHER SMALL TOOL TO REMOVE COVER BY INSERTING CLIP INTO NOTCH AND GENTLY PULLING UPWARDS TO FREE EDGE OF COVER. ONCE EDGE IS OUT OF RAIL SLOT, REST OF COVER MAY BE REMOVED BY GENTLY PULLING IT UPWARDS AND OUT.

NOTE: WHEN REINSTALLING COVER AFTER REMOVAL, ENSURE THAT CORNERS OF COVER ARE FULLY SEATED IN RAIL SLOT. TOP OF COVER SHOULD BE APPROXIMATELY LEVEL WITH CORRESPONDING AREA ON END RAIL

RAIL COVER REMOVAL DIAGRAMS



PROJECT:

Material:	 Mark Architectural Lighting 3 Kilmer Rd. Edison, NJ, 08817 T (732) 985-2600 F (732) 985-8441 marklighting.com	Description: INSTALLATION INSTRUCTIONS FIN LED SERIES		
Gauge:		Finish:	Qty:	
Tape:		By:	Date:	Scale:
C/S:		Dwg. no.:	Size:	Rev.
Qty./Sht.:		13-1035 Sheet 4 of 4	B	1