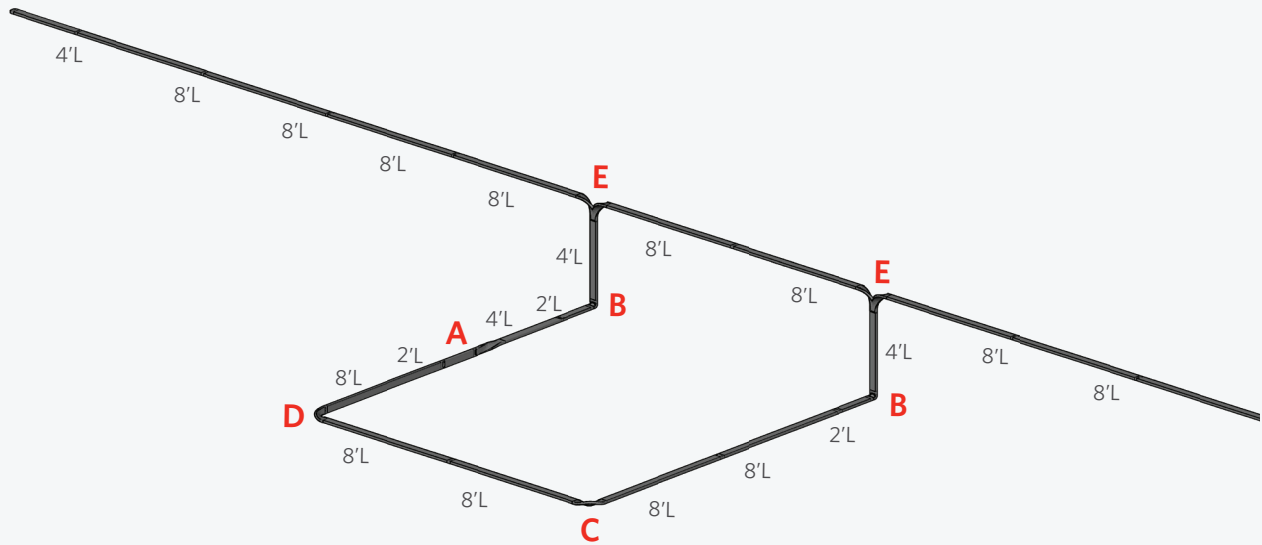


## Renna™ Transitions Ordering Guide

Mix and match Renna™ transitions and run lengths to create one-of-a-kind designs. Use this guide to learn more about the available transitions, their sizes and nomenclature. Transitions can be combined with straight fixtures to create layers of light around your environment. Simply sketch your layout to determine the number of transitions and straight sections needed then upload your drawing to the RFA tool to get a submittal drawing and full bill of material. See below for an example.



**A**



Straight Twist  
USTV24

**B**



Mini Curve 90  
90VCC3

**C**



Banked Curve  
90FBC12

**D**



Twisted Right  
Curve-90FVRT12

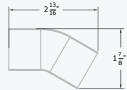
**E**



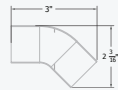
Twisted Double  
Curve-90FVT12

## Renna™ Transitions Ordering Guide

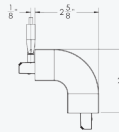
### Pendant



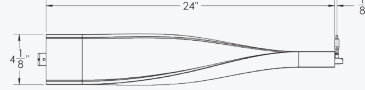
Mini Curve 30  
30VC3



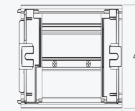
Mini Curve 45  
45VC3



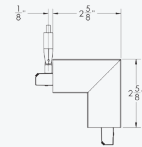
Mini Curve 90  
90VCC3



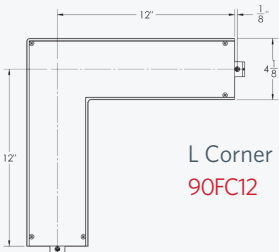
Straight Twist  
USTV24



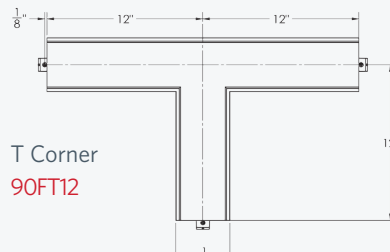
Mini Square  
90FC4



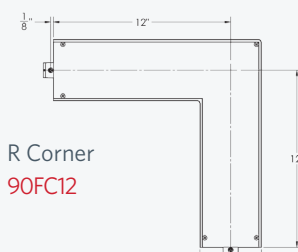
Mini Corner  
90VC3



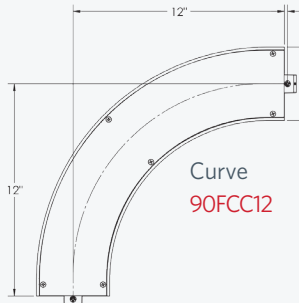
L Corner  
90FC12



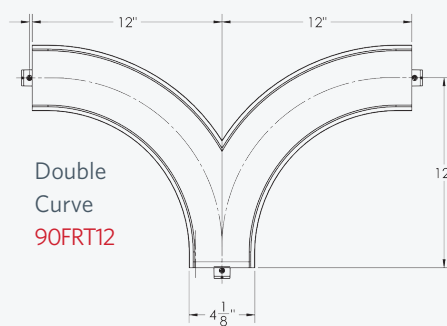
T Corner  
90FT12



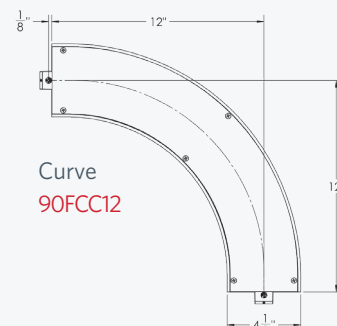
R Corner  
90FC12



Curve  
90FCC12



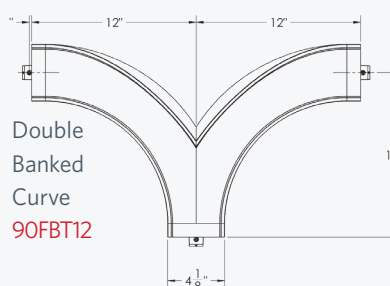
Double Curve  
90FRT12



Curve  
90FCC12



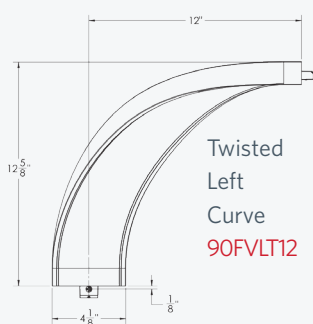
Banked Curve  
90FBC12



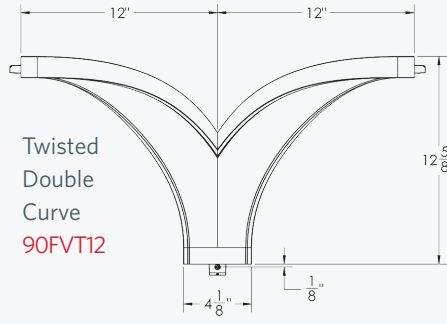
Double Banked Curve  
90FBT12



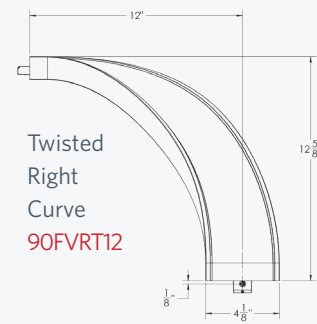
Banked Curve  
90FBC12



Twisted Left Curve  
90FVLT12



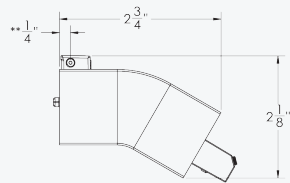
Twisted Double Curve  
90FVT12



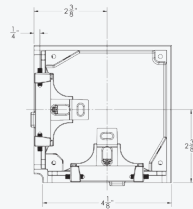
Twisted Right Curve  
90FVRT12

## Renna™ Transitions Ordering Guide

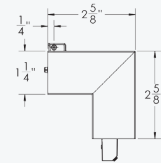
### Surface



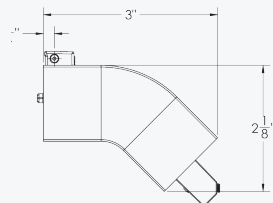
Mini Curve 30  
30VC3S



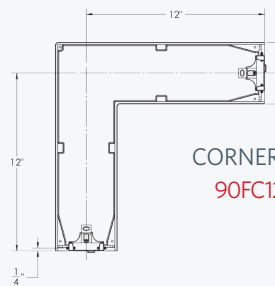
Mini Square  
90FC4S



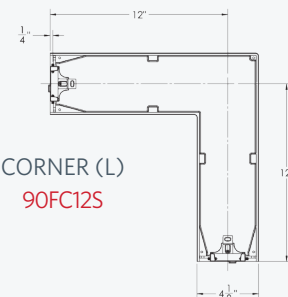
Mini Corner 90  
90VC3S



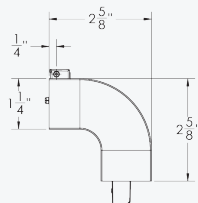
Mini Curve 45  
45VC3S



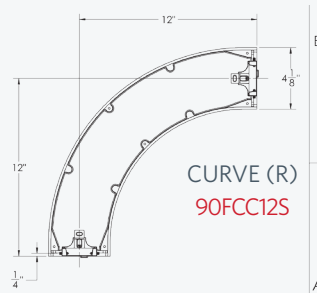
CORNER (R)  
90FC12S



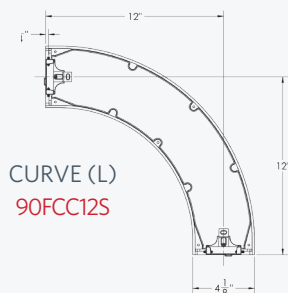
CORNER (L)  
90FC12S



Mini Curve 90  
90VC3S

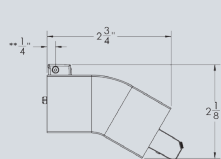


CURVE (R)  
90FCC12S

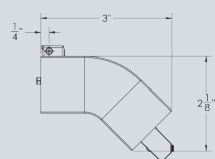


CURVE (L)  
90FCC12S

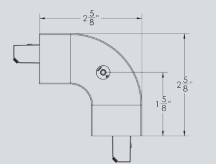
### Wall Wash



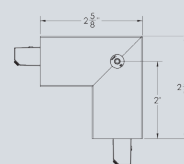
Mini Curve 30  
30VWWC3



Mini Curve 45  
45VWWC3



Mini Curve 90  
90VWWC3



Mini Corner  
90VWWCC3



Vertical Straight  
UVSTx

## Renna™ Transitions Ordering Guide

Series	Transition	Mounting Type	Overall Suspension	Finish	Options
<b>Pendant</b>					
RNNATR	<b>30VC3</b> Mini Curve 30°	<b>F1/</b> T-bar ceiling (universal mounting bracket)	<b>24A</b> 24" adjustable	<b>C202</b> Painted Aluminum	BLK Black cord, cord manager, and canopy
	<b>45VC3</b> Mini Curve 45°	<b>F1A/</b> T-bar ceiling (universal mounting bracket with integrated J-box)	<b>48A</b> 48" adjustable	<b>C202</b> Textured Black	MCS Matching Canopy at support for aesthetics
	<b>90VCC3</b> Mini Curve 90°	<b>F2/</b> Hard ceiling (horizontal J-box)	<b>96A</b> 96" adjustable	<b>C210</b> Textured White	SLP Slope Ceiling
	<b>90VC3</b> Mini Corner		<b>144A</b> 144" adjustable	<b>CO99</b> Custom Color	
	<b>90FC12</b> L Corner			<b>RALTB</b> Ral Paint Finishes	
	<b>90FCC12</b> Curve				
	<b>90FBC12</b> Banked Curve				
	<b>90FVRT12</b> Twisted Right Curve				
	<b>90FVLT12</b> Twisted Left Curve				
	<b>90FC4</b> Mini Square				
	<b>90FT12</b> T Corner				
	<b>90FRT12</b> Double Curve				
	<b>90FBT12</b> Banked Double Curve				
	<b>90FVT12</b> Twisted Double Curve				
	<b>180FVT24</b> Unit Straight Twist to Vertical 24in				
	<b>UST3</b> Unit Straight 3in				
	<b>UST6</b> Unit Straight 6in				
	<b>UST9</b> Unit Straight 9in				
	<b>UST12</b> Unit Straight 12in				
<b>Surface</b>					
RNNATR	<b>30VC3S</b> Mini Curve 30°	<b>LF*</b> Left		<b>C110</b> Painted Aluminum	
	<b>45VC3S</b> Mini Curve 45°	<b>RT*</b> Right		<b>C202</b> Textured Black	
	<b>90VCC3S</b> Mini Curve 90°			<b>C10</b> Textured White	
	<b>90VC3S</b> Mini Corner	* for use with 90FC12S,		<b>CO99</b> Custom Color	
	<b>90FC12S</b> L Corner			<b>RALTB</b> Ral Paint Finishes	
	<b>90FCC12S</b> Curve				
	<b>90FC4S</b> Mini Square				
<b>Wall Wash</b>					
RNNATR	<b>30VC3</b> Mini Curve 30° VWW*	<b>F1/</b> T-bar ceiling (universal mounting bracket)	<b>24A</b> 24" adjustable	<b>C202</b> Painted Aluminum	BLK Black cord, cord manager, and canopy
	<b>45VWWC3</b> Mini Curve 45° VWW*	<b>F1A/</b> T-bar ceiling (universal mounting bracket with integrated J-box)	<b>48A</b> 48" adjustable	<b>C202</b> Textured Black	MCS Matching Canopy at support for aesthetics
	<b>90VWWC3</b> Mini Curve 90° VWW*	<b>F2/</b> Hard ceiling (horizontal J-box)	<b>96A</b> 96" adjustable	<b>C210</b> Textured White	SLP Slope Ceiling
	<b>90VWWCC3</b> Mini Corner VWW*		<b>144A</b> 144" adjustable	<b>CO99</b> Custom Color	
	<b>UVST3</b> Unlit Vertical Straight 3in*			<b>RALTB</b> Ral Paint Finishes	
	<b>UVST6</b> Unlit Vertical Straight 6in*				
	<b>UVST9</b> Unlit Vertical Straight 9in*				
	<b>UVST12</b> Unlit Vertical Straight 12in*				
	<b>UVST24</b> Unlit Vertical Straight 24in*				

**Straight Fixtures:** Consult individual product spec sheets for complete fixture options.

**Pendant Mount:** RNNAD - Renna Direct (Static & TUWH) | RNNAI - Renna Indirect | RNNAIID - Renna Indirect Direct

**Surface Mount:** RNNAS - Renna Surface Mount

**Vertical Wall Wash:** RNNAVWW - Renna Vertical Wall Wash Suspended Linear