

OFFICE SOLUTION GUIDE

PRIVATE OFFICE 10'X12', 11'-0" CEILING HEIGHT, WITH WINDOW, AND nLIGHT ENABLED LUMINAIRES



DESIGN NOTES:

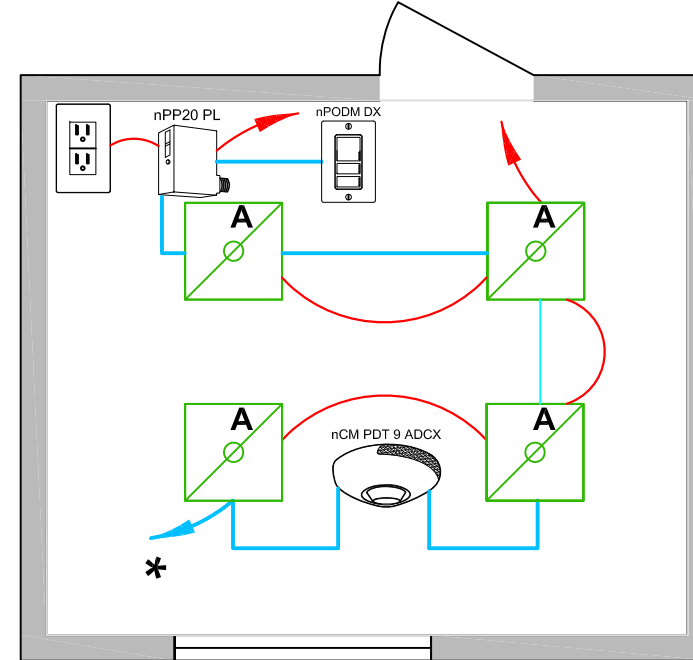
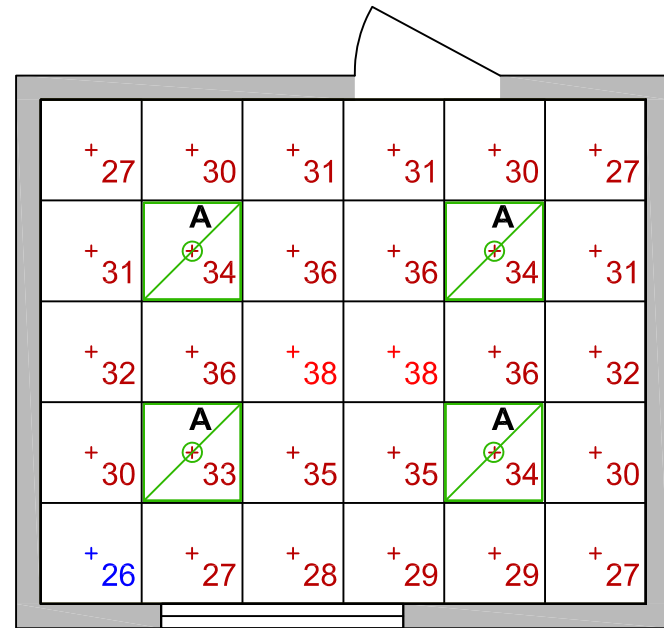
LIGHTING LEVELS ARE CALCULATED BASED ON LUMINAIRES MOUNTED AT LISTED CEILING HEIGHT AND WORKING SURFACE AT 2'-6" ABOVE FINISHED FLOOR (AFF).

REFLECTANCES ARE 80/50/20 PER IESNA RP-3-13 TARGET (HARDCOPY & WRITING TASK) 20 FOOT CANDLES.

TOTAL LIGHT LOSS FACTOR(LLF) OF .95 HAS BEEN USED FOR THIS CALCULATION.

THE VISUAL FILE FOR THIS TYPICAL CAN BE FOUND AT;
<http://www.acuitybrands.com/resources/tools-and-documents/typicals>

TO MAKE ADJUSTMENTS FOR ROOM SIZE, CEILING HEIGHT, REFLECTANCE OR WORK SURFACE, USE THE VISUAL INTERIOR TOOL AVAILABLE AT;
<https://www.visual-3d.com/tools/interior/>



SEQUENCE OF OPERATION:

LUMINAIRES
 - ALL LUMINAIRES ARE DIMMABLE
 - ALL LUMINAIRES ARE CONTROLLED TOGETHER
 - MAXIMUM LEVEL CAN BE LIMITED TO 80%

OCCUPANCY
 - LUMINAIRES MUST BE TURNED ON MANUALLY (OR OPTIONALLY CAN BE CONFIGURED TO COME ON AUTOMATICALLY TO 50% OR 100%)
 - PLUG LOAD TURNS ON AUTOMATICALLY
 - LUMINAIRES & PLUG LOAD AUTOMATICALLY TURN OFF WHEN ROOM BECOMES VACANT

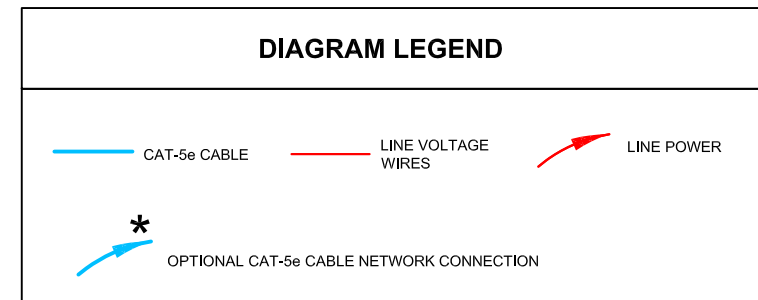
DAYLIGHT
 - SMOOTH CONTINUOUS DIMMING
 - CUSTOM GROUPING OF LUMINAIRES INTO SEPARATE DAYLIGHT ZONES (MAX. NUMBER ZONES = NUMBER OF LUMINAIRES)
 - NOT REQUIRED IF TOTAL LUMINAIRE IS < 120W

MANUAL
 - ON/OFF & RAISE/LOWER CONTROL OF LUMINAIRES

COMPLIES WITH:

- ✓ IES RECOMMENDATIONS
- ✓ CALIFORNIA TITLE 24
- ✓ ASHRAE 90.1 2010
- ✓ IECC 2012

STATISTICS							
AVG. FC	MAX. FC	MIN. FC	MAX/MIN	AVG/MIN	TOTAL WATTS	AREA	POWER DENSITY
32 fc	38 fc	26 fc	1.5 : 1	1.2 : 1	82.04	120.00 FT ²	0.68 W/FT ²



* ADDITIONAL OPTIONS:

- SURFACE OR RECESSED MOUNT SENSORS ALSO AVAILABLE
- ROOM CAN BE CONNECTED TO nLIGHT BACKBONE TO ENABLE NET-WORK CONTROL OR ADR (AUTOMATIC DEMAND RESPONSE)
- FOR EMERGENCY LIGHTING CONTROL ADD A NPP16 D ER PACK.

COMPLIES WITH:

- ✓ FULL AUTO-OFF VIA OCCUPANCY SENSOR (SECTION 130.1c)
- ✓ LOCAL SWITCH (SECTION 130.1a)
- ✓ PLUG-LOAD CONTROL (SECTION 130.5d)
- ✓ MULTI-LEVEL/ DIMMING CONTROL (SECTION 130.1b)
- ✓ AUTOMATIC DEMAND RESPONSE (ADR) READY (SECTION 130.1e)
- ✓ MULTI-LEVEL DAYLIGHT CONTROL (SECTION 130.1d)

LUMINAIRE & CONTROL SCHEDULE					
SYMBOL	LABEL	QTY	CATALOG #	DESCRIPTION	WATTAGE
	A	4	Lithonia 2VTL2 20L ADP EZ1 LP840 N80	2x2 2000 Lumens, 4000K, nLight Enabled Luminaire	20.51
		1	nLight nPP20 PL	Plug Load Relay Pack	
		1	nLight nPODM DX	On/Off & Raise Lower Wall Station	
		1	nLight nCM PDT 9 ADCX	Dual Technology Occupancy Sensor With Automatic Dimming Photocell	