

SEQUENCE OF OPERATION:

LIGHTS

- ALL LIGHTS ARE DIMMABLE
- EACH FIXTURE INDEPENDENTLY CONTROLLED
- MAXIMUM LEVEL CAN BE LIMITED TO 80%
- OPTIONAL AUTOMATIC LUMEN COMPENSATION

OCCUPANCY

- LIGHTS MUST BE TURNED ON MANUALLY (OR CAN BE RECONFIGURED TO BE AUTO ON TO 50%)
- LIGHTS AUTOMATICALLY TURN OFF WHEN SPACE BECOMES VACANT

DAYLIGHT

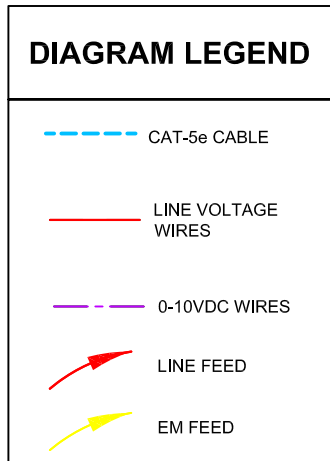
- SMOOTH CONTINUOUS DIMMING
- CUSTOM GROUPING OF FIXTURES INTO SEPARATE DAYLIGHT ZONES (MAX. NUMBER OF ZONES = NUMBER OF FIXTURES)

MANUAL

- MASTER ON/OFF & RAISE/LOWER CONTROL OF ENTIRE SPACE

ADDITIONAL OPTIONS:

- SURFACE OR RECESSED MOUNT SENSORS ALSO AVAILABLE
- SPACE CAN BE CONNECTED TO nLIGHT BACKBONE TO ENABLE NET-WORK CONTROL OR ADR (AUTOMATIC DEMAND RESPONSE)



BILL OF MATERIAL

QTY	PRODUCT #	DESCRIPTION
3	VARIES	nLIGHT ENABLED FIXTURES
1	VARIES	nLIGHT ENABLED FIXTURE WITH THE EMG OPTION
1	nPODM DX	ON/OFF & RAISE/LOWER WALL POD
1	nCM PDT 10 ADCX	DUAL TECHNOLOGY EXTENDED RANGE OCCUPANCY SENSOR WITH AUTOMATIC DIMMING PHOTCELL

SUPPORTS THE FOLLOWING REQUIREMENTS:

- FULL AUTO-OFF VIA OCCUPANCY SENSOR (SECTION 130.1c)
- LOCAL SWITCH (SECTION 130.1a)
- MULTI-LEVEL/ DIMMING CONTROL (SECTION 130.1b)
- AUTOMATIC DEMAND RESPONSE (ADR) READY (SECTION 130.1e)
- MULTI-LEVEL DAYLIGHT CONTROL (SECTION 130.1d)