

SEQUENCE OF OPERATION:

LIGHTS

- ALL LIGHTS ARE DIMMABLE
- EACH ROW/FIXTURE CONTROLLED INDEPENDENTLY
- MAXIMUM LEVEL CAN BE LIMITED TO 80%
- OPTIONAL AUTOMATIC LUMEN MAINTENANCE

OCCUPANCY

- LIGHTS AUTOMATICALLY TURN ON WHEN OCCUPANT ENTERS THE SPACE
- LIGHTS AUTOMATICALLY TURN OFF WHEN ROOM BECOMES VACANT
- PLUG LOAD IS AUTO ON/OFF

DAYLIGHT

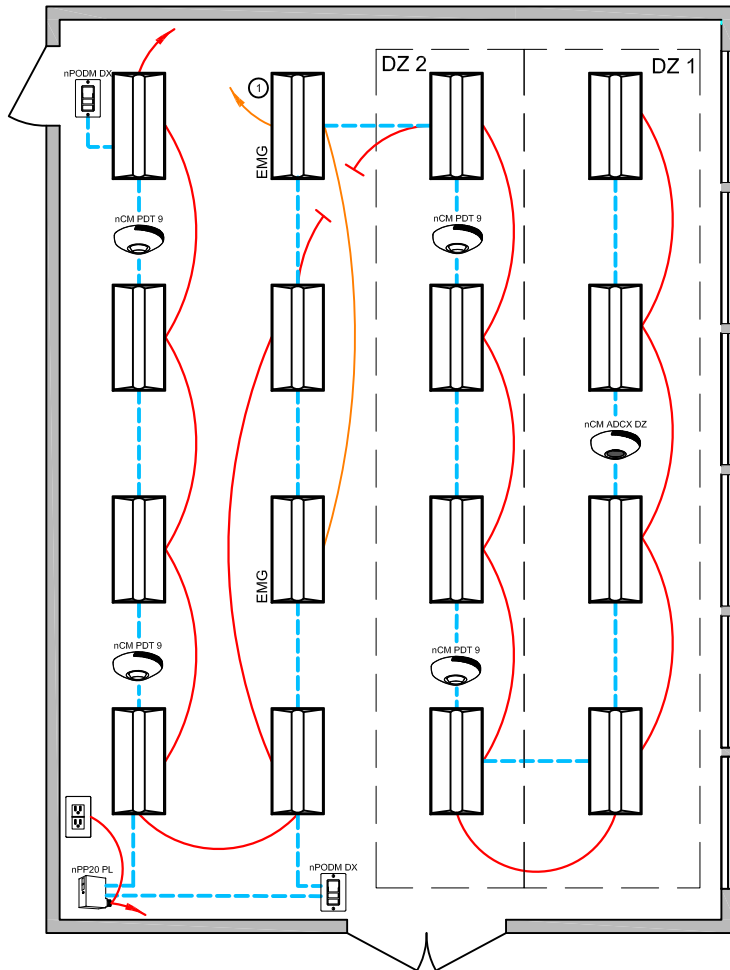
- SMOOTH CONTINUOUS DIMMING
- CUSTOM GROUPING OF FIXTURES INTO SEPARATE DAYLIGHT ZONES (MAX. NUMBER OF ZONES = NUMBER OF FIXTURES)

MANUAL

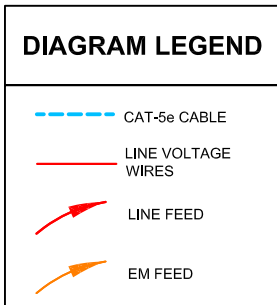
- MASTER ON/OFF & RAISE/LOWER CONTROL OF ENTIRE ROOM
- OPTIONAL INDIVIDUAL ROW CONTROL (ADD nPODM 4 DX)

ADDITIONAL OPTIONS:

- SURFACE OR RECESSED MOUNT SENSORS ALSO AVAILABLE
- ADD MODEL nPODM 4S DX FOR FOUR SCENE WITH MANUAL DIMMING CONTROL
- ADD GRAPHIC WALLPOD (MODEL NPOD GFX) FOR INDIVIDUAL ROW AND UP TO 16 SCENE CONTROL
- ROOM CAN BE CONNECTED TO nLIGHT BACKBONE TO ENABLE NET-WORK CONTROL OR ADR (AUTOMATIC DEMAND RESPONSE)
- FOR EMERGENCY LIGHTING CONTROL ADD THE n80EMG OR n100EMG OPTION TO THE FIXTURE.



① NOTE: NOT ALL EMERGENCY nLIGHT ENABLED FIXTURES REQUIRE A NORMAL MONITORING FEED. REFER TO DATA SHEET FOR ADDITIONAL INFORMATION.



BILL OF MATERIAL		
QTY	PRODUCT #	DESCRIPTION
16	VARIES	nLIGHT ENABLED FIXTURES
1	nPP20 PL	PLUG LOAD RELAY PACK
2	nPODM DX	ON/OFF & RAISE/LOWER WALL POD
4	nCM PDT 9	DUAL TECHNOLOGY OCCUPANCY SENSOR
1	nCM ADCX DZ	AUTOMATIC DIMMING PHOTOCCELL w/ DUAL ZONE CONTROL

SUPPORTS THE FOLLOWING REQUIREMENTS:

- ✓ FULL AUTO-OFF VIA OCCUPANCY SENSOR (SECTION 130.1c)
- ✓ LOCAL SWITCH (SECTION 130.1a)
- ✓ PLUG-LOAD CONTROL (SECTION 130.5d)
- ✓ MULTI-LEVEL/ DIMMING CONTROL (SECTION 130.1b)
- ✓ AUTOMATIC DEMAND RESPONSE (ADR) READY (SECTION 130.1e)
- ✓ LESS THAN 120W PRIMARY DAYLIGHT ZONE DO NOT REQUIRE DAYLIGHT HARVESTING (SECTION 130.1d)