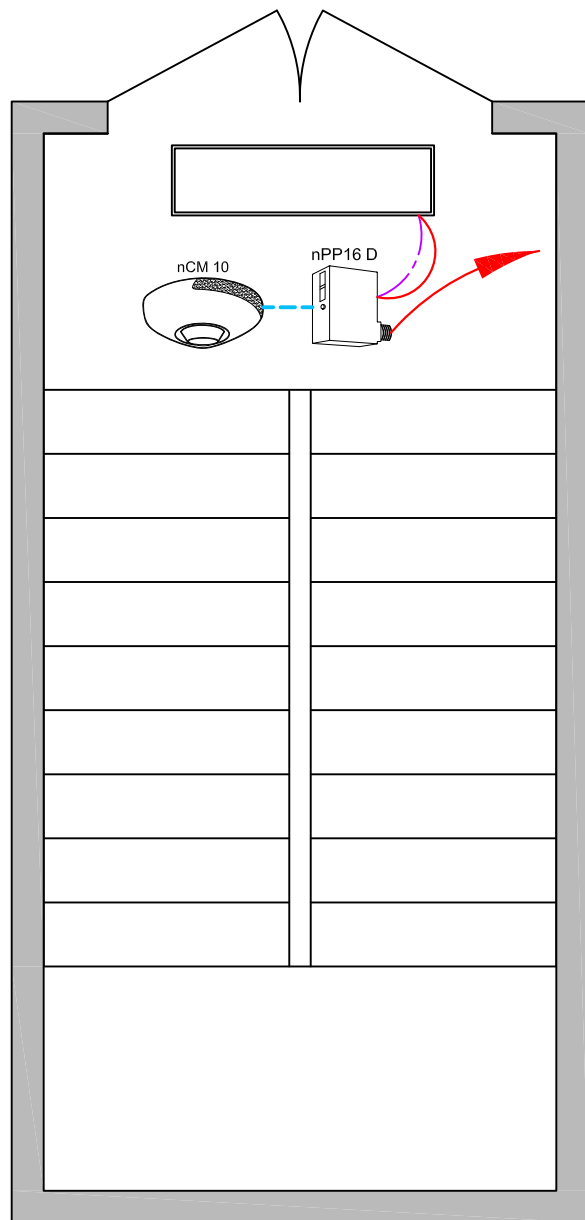


IECC 2015 DESIGN GUIDE

STAIRWELL WITH 0-10V DIMMING FIXTURES



SEQUENCE OF OPERATION:

LIGHTS

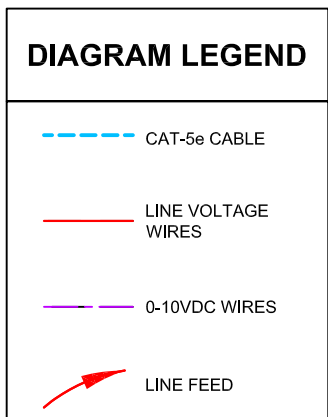
- ALL LIGHTS ARE DIMMABLE
- MAXIMUM LEVEL CAN BE LIMITED TO 80%

OCCUPANCY

- LIGHTS AUTOMATICALLY GO TO FULL BRIGHT WHEN OCCUPIED
- LIGHTS CAPABLE OF AUTOMATICALLY DIMMING TO 30% (OR OTHER DIM SETTING) WHEN SPACE BECOMES VACANT

ADDITIONAL OPTIONS:

- SURFACE OR RECESSED MOUNT SENSORS ALSO AVAILABLE
- SPACE / ZONE CAN BE CONNECTED TO NLIGHT BACKBONE TO ENABLE NET-WORK CONTROL OR TIME SCHEDULES (C405.2.2)
- FOR EMERGENCY LIGHTING CONTROL ADD A nPP16D ER



BILL OF MATERIAL		
QTY	PRODUCT #	DESCRIPTION
1	nPP16 D	RELAY MODULE WITH 0-10V DIMMING OUTPUT
1	nCM 10	PIR EXTENDED RANGE OCCUPANCY SENSOR

SUPPORTS THE FOLLOWING REQUIREMENTS:

- FULL OR PARTIAL AUTO-OFF VIA OCCUPANCY SENSOR (C405.2.1.1)