

T366621 - LBL4W Lens Removal/Install

Please follow the instructions below to remove/install the
new lens

CAUTION

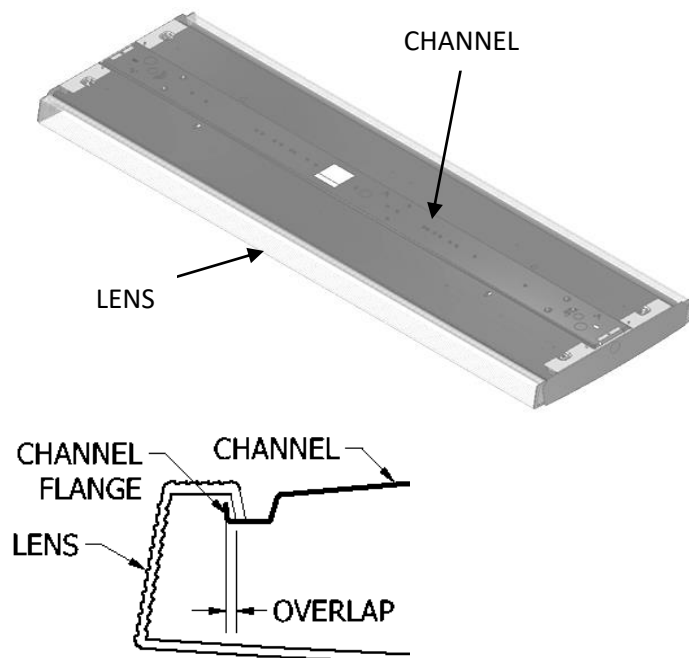
- ✓ To avoid injury, read all instructions and view instructional video at www.lithonia.com/LBL4Wvideo before removing and installing lens.
- ✓ Wear gloves and safety glasses at all times when removing and installing lens.

Package Contains:

Qty: (1) Replacement Lens

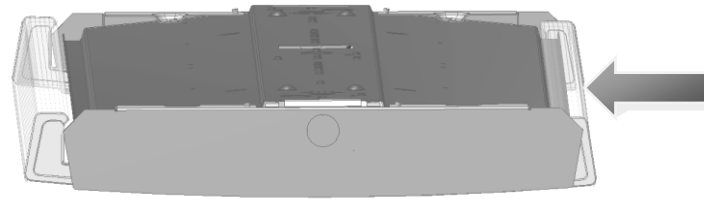
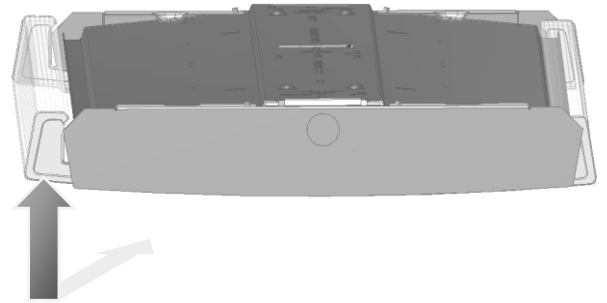
What you will need:

No tools required

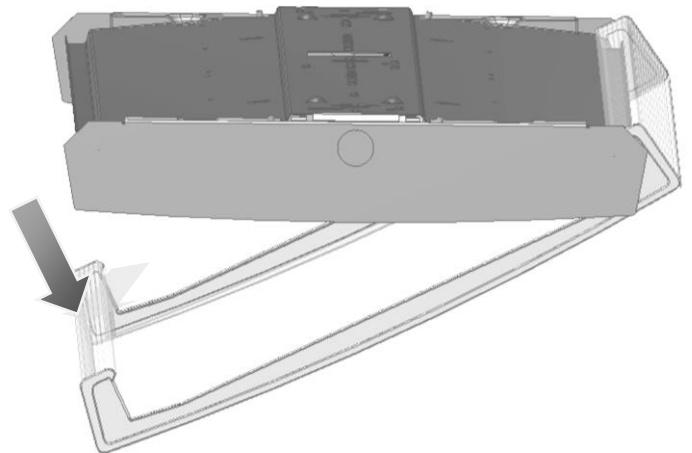


T366621 - LBL4W Lens Removal

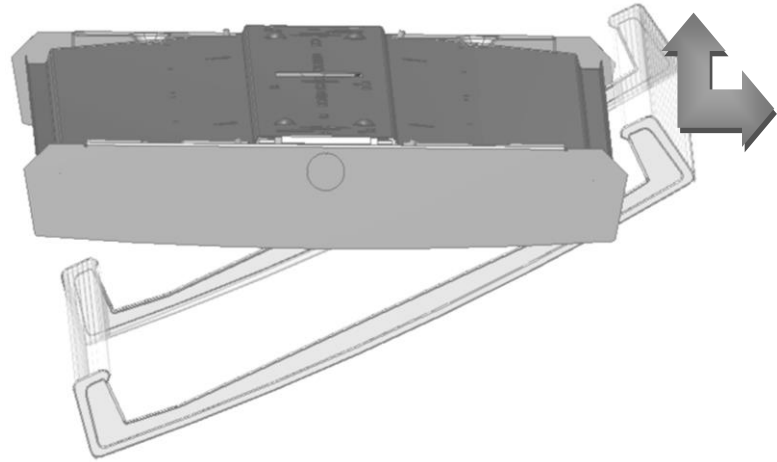
- 1) PUSH LENS STRAIGHT UP
AND THEN SHIFT TO EITHER
SIDE.



- 2) ROTATE LENS DOWN 45
DEGREES.



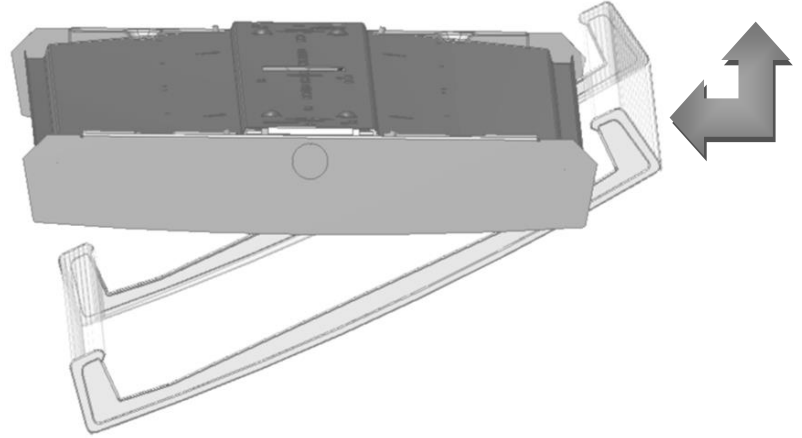
- 3) AFTER ROTATING THE LENS, LIFT LENS UPWARDS TO DISENGAGE FROM THE CHANNEL AND REMOVE THE LENS.



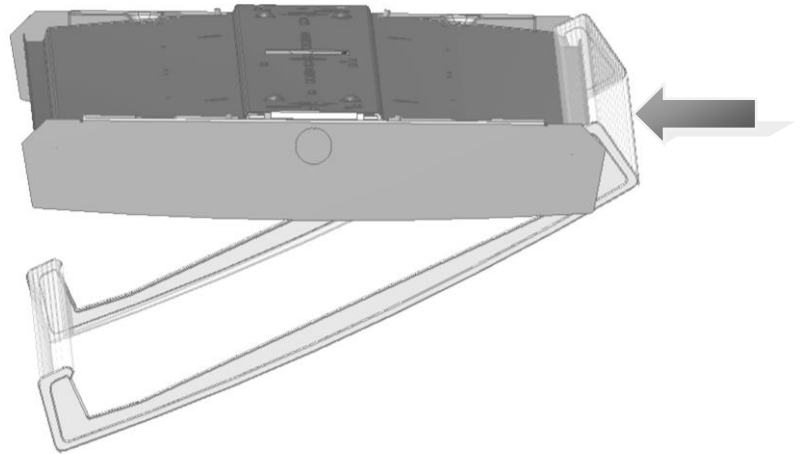
**END REMOVAL OF
LENS**

T366621 - LBL4W Lens Install

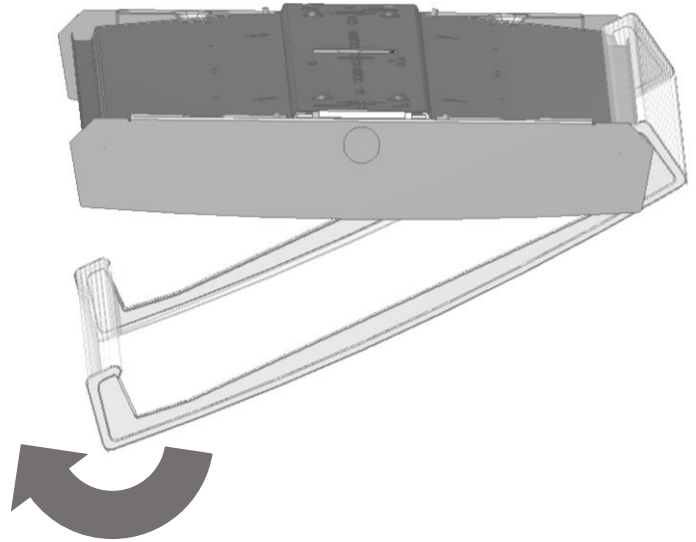
- 1) HOLD LENS AT APPROXIMATELY 45 DEGREES AND LIFT ABOVE THE CHANNEL.



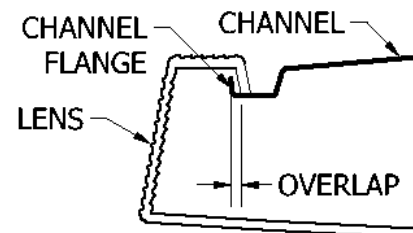
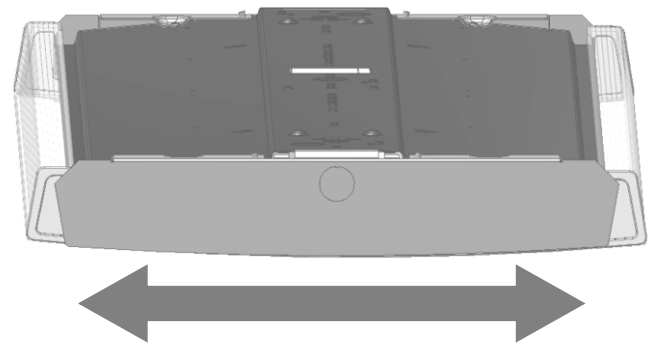
- 2) HOOK ONE SIDE OF THE LENS ON THE CHANNEL FLANGE.



- 3) ONCE HOOKED ON THE CHANNEL FLANGE ON ONE SIDE, RAISE THE OTHER SIDE OF THE LENS UP ABOVE THE CHANNEL EDGE AND SET THE LENS INTO THE CHANNEL FLANGE.



- 4) MAKE SURE BOTH SIDES OF THE LENS ARE FULLY ENGAGED IN THE CHANNEL BY GENTLY SLIDING THE LENS BACK AND FORTH LATERALLY TO ENSURE THE LENS IS FULLY SEATED ALONG ITS ENTIRE LENGTH.



DISPOSAL OF LENS

AFTER REMOVAL OF OLD LENS, IN
PERMANENT MARKER DRAW AN "X" ON
THE LENS

