

WSEC 2015 DESIGN GUIDE

WIRELESS GYMNASIUM WITH nLIGHT ENABLED FIXTURES



nLIGHT AIR

SEQUENCE OF OPERATION:

LIGHTS

- ALL FIXTURES ARE DIMMABLE
- ALL FIXTURES ARE CONTROLLED TOGETHER OR INDEPENDENTLY
- OPTIONAL AUTOMATIC LUMEN COMPENSATION
- ADJUSTABLE HIGH/LOW TRIM

OCCUPANCY CONTROL:

- FIXTURES MUST BE TURNED ON MANUALLY (OR OPTIONALLY CAN BE CONFIGURED TO COME ON AUTOMATICALLY TO 50%)
- FIXTURES AND RECEPTACLES AUTOMATICALLY TURN OFF WHEN ROOM BECOMES VACANT

MANUAL CONTROL:

- MASTER ON/OFF & RAISE/ LOWER CONTROL OF FIXTURES

ADDITIONAL OPTIONS:

- ADD GRAPHIC WALLPOD (MODEL NPOD TOUCH) FOR INDIVIDUAL ROW AND UP TO 16 SCENE CONTROL
- ROOM CAN BE CONNECTED TO nLIGHT BACKBONE TO ENABLE NETWORK CONTROL OR TIME SCHEDULES (C405.2.2.1) AND QUALIFY FOR ENHANCED DIGITAL LIGHTING CONTROLS (C406.4)
- HVAC CONTROL AVAILABLE THROUGH SYSTEM-WIDE BACNET® INTERFACE OPTION ON THE ECLYPSE CONTROLLER

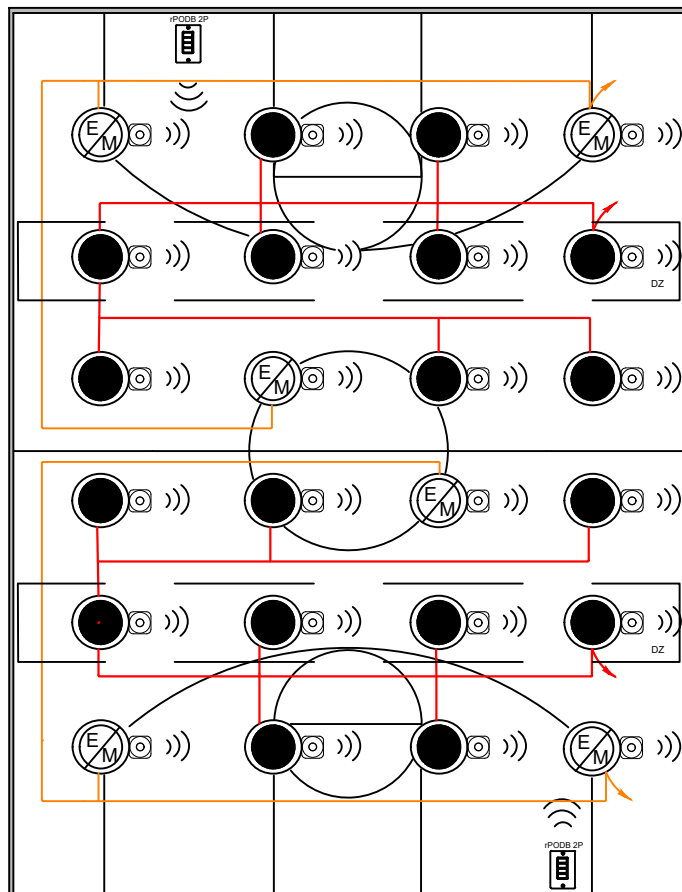


DIAGRAM LEGEND

- LINE VOLTAGE WIRES
- LINE POWER
- LINE POWER

BILL OF MATERIAL

QTY	PRODUCT #	DESCRIPTION
18	SEE NOTE	nLIGHT WIRELESS ENABLED FIXTURES
6	SEE NOTE	nLIGHT WIRELESS ENABLED FIXTURES with EM OPTION
2	rPODB 2P G2	2 POLE ON/OFF WALL POD

SUPPORTS THE FOLLOWING REQUIREMENTS:

- ✓ FULL AUTO-OFF VIA OCCUPANCY SENSOR (C405.2.1.1)
- ✓ LOCAL SWITCH (C405.2.2.3)
- ✓ DAY LIGHT RESPONSIVE CONTROLS (C405.2.4)
- ✓ MANUAL OR AUTO ON (C405.2.1.1.2)

Note: Contact your local lighting agent for more information on nLight enabled fixtures.

nLight enabled fixtures provide Luminaire Level Lighting Controls (LLLC), as specified in the WSEC CODE.