

WSEC 2015 DESIGN GUIDE

WIRELESS GYMNASIUM WITH 0-10V DIMMING FIXTURES



nLIGHT AIR

SEQUENCE OF OPERATION:

LIGHTS

- ALL FIXTURES ARE DIMMABLE
- ALL FIXTURES ARE CONTROLLED TOGETHER OR INDEPENDENTLY
- OPTIONAL AUTOMATIC LUMEN COMPENSATION
- ADJUSTABLE HIGH/LOW TRIM

OCCUPANCY CONTROL:

- FIXTURES MUST BE TURNED ON MANUALLY (OR OPTIONALLY CAN BE CONFIGURED TO COME ON AUTOMATICALLY TO 50%)
- FIXTURES AND RECEPTACLES AUTOMATICALLY TURN OFF WHEN ROOM BECOMES VACANT

MANUAL CONTROL:

- MASTER ON/OFF & RAISE/ LOWER CONTROL OF FIXTURES

ADDITIONAL OPTIONS:

- ADD GRAPHIC WALLPOD (MODEL NPOD TOUCH) FOR INDIVIDUAL ROW AND UP TO 16 SCENE CONTROL
- ROOM CAN BE CONNECTED TO NLIGHT BACKBONE TO ENABLE NETWORK CONTROL OR TIME SCHEDULES (C405.2.2.1) AND QUALIFY FOR ENHANCED DIGITAL LIGHTING CONTROLS (C406.4)
- HVAC CONTROL AVAILABLE THROUGH SYSTEM-WIDE BACNET® INTERFACE OPTION ON THE ECLYPSE CONTROLLER

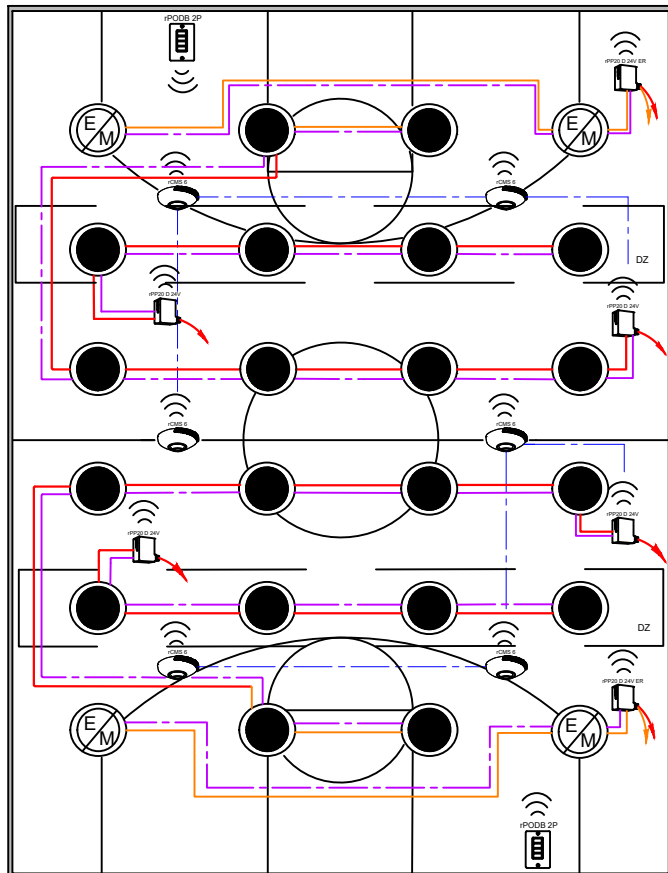
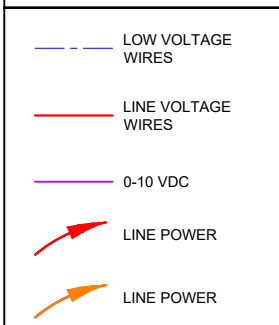


DIAGRAM LEGEND



BILL OF MATERIAL

QTY	PRODUCT #	DESCRIPTION
4	rPP20 D 24V G2	RELAY PACK WITH 0-10V DIMMING OUTPUT
2	rPP20 D 24V ER G2	EMERGENCY RELAY PACK WITH 0-10V DIMMING OUT PUT
2	rPODB 2P G2	2 POLE ON/OFF WALL POD
6	rCMS 6 G2	HIGH BAY OCCUPANCY SENSOR

SUPPORTS THE FOLLOWING REQUIREMENTS:



FULL AUTO-OFF VIA OCCUPANCY SENSOR (C405.2.1.1)



LOCAL SWITCH (C405.2.2.3)



DAY LIGHT RESPONSIVE CONTROLS (C405.2.4)



MANUAL OR AUTO ON (C405.2.1.1.2)