

SEQUENCE OF OPERATION:

LIGHTS

- ALL LIGHTS ARE DIMMABLE
- EACH ROW CONTROLLED INDEPENDENTLY
- MAXIMUM LEVEL CAN BE LIMITED TO 80%

OCCUPANCY

- LIGHTS AUTOMATICALLY TURN ON WHEN OCCUPANT ENTERS THE SPACE (OPTIONALLY CAN BE CONFIGURED TO 50% AUTO-ON)
- LIGHTS AUTOMATICALLY TURN OFF WHEN ROOM BECOMES VACANT
- PLUG LOAD IS AUTO ON/OFF

DAYLIGHT

- SMOOTH CONTINUOUS DIMMING
- DAYLIGHT ZONES DEFINED BY ROWS
- NOT REQUIRED IN SPACES WITHOUT WINDOWS OR SIDE LIT AREAS < 150W LOAD

MANUAL

- MASTER ON/OFF & RAISE/LOWER CONTROL OF ENTIRE ROOM
- OPTIONAL INDIVIDUAL ROW CONTROL (ADD nPODM 4 DX)

ADDITIONAL OPTIONS:

- ROOM CAN BE CONNECTED TO NLIGHT BACKBONE TO ENABLE NETWORK CONTROL INCLUDING TIME BASED CONTROLS AND INTEGRATION WITH BUILDING MANAGEMENT SYSTEMS.
- HVAC CONTROL AVAILABLE THROUGH SYSTEM-WIDE BACNET INTERFACE OPTION ON ECLYPSE CONTROLLER.

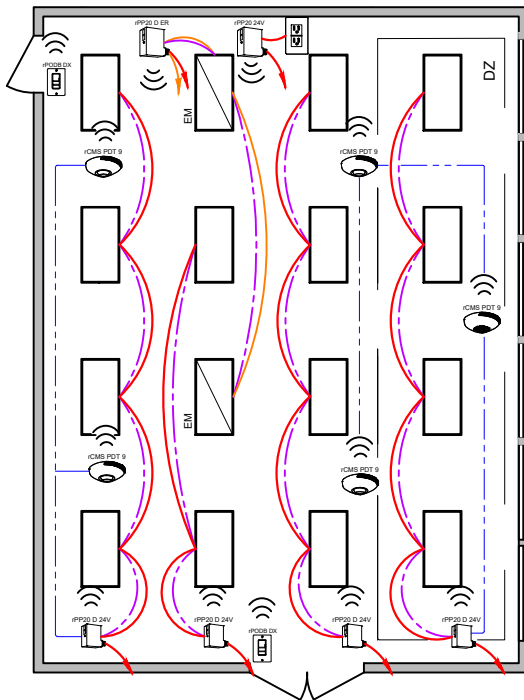


DIAGRAM LEGEND	
	LOW VOLTAGE WIRES
	0-10VDC WIRES
	LINE VOLTAGE WIRES
	LINE WIRE
	EM LINE WIRE

BILL OF MATERIAL		
QTY	PRODUCT #	DESCRIPTION
4	rPP20 D 24V G2	RELAY PACK WITH 0-10V DIMMING OUTPUT
1	rPP20 D ER G2	EMERGENCY RELAY PACK WITH 0-10V DIMMING OUTPUT
2	rPODB DX G2	ON/OFF & RAISE/LOWER WALL POD
5	rCMS PDT 9 G2	OCCUPANCY SENSOR
1	rPP20 24V G2	PLUG LOAD RELAY PACK

SUPPORTS THE FOLLOWING REQUIREMENTS:

FULL AUTO-OFF VIA OCCUPANCY SENSOR

LOCAL SWITCH

PLUG-LOAD CONTROL

MULTI-LEVEL/ DIMMING CONTROL

MULTI-LEVEL DAYLIGHT CONTROL