

SEQUENCE OF OPERATION:

LIGHTS

- ALL LIGHTS ARE DIMMABLE
- EACH ROW CONTROLLED INDEPENDENTLY
- MAXIMUM LEVEL CAN BE LIMITED TO 80%

OCCUPANCY

- LIGHTS AUTOMATICALLY TURN ON WHEN OCCUPANT ENTERS THE SPACE (OPTIONALLY CAN BE CONFIGURED TO 50% AUTO-ON)
- LIGHTS AUTOMATICALLY TURN OFF WHEN ROOM BECOMES VACANT
- PLUG LOAD IS AUTO ON/OFF

DAYLIGHT

- SMOOTH CONTINUOUS DIMMING
- DAYLIGHT ZONES DEFINED BY ROWS
- NOT REQUIRED IN SPACES WITHOUT WINDOWS OR HAVE LOADS < 150W IN SIDELIT ZONES

MANUAL

- MASTER ON/OFF & RAISE/LOWER CONTROL OF ENTIRE ROOM
- OPTIONAL INDIVIDUAL ROW CONTROL (ADD nPODM 4P DX)

ADDITIONAL OPTIONS:

- ROOM CAN BE CONNECTED TO NLIGHT BACKBONE TO ENABLE NETWORK CONTROL INCLUDING TIME BASED CONTROLS AND INTEGRATION WITH BUILDING MANAGEMENT SYSTEMS.
- HVAC CONTROL AVAILABLE THROUGH SYSTEM-WIDE BACNET INTERFACE OPTION ON ECLYPSE CONTROLLER.

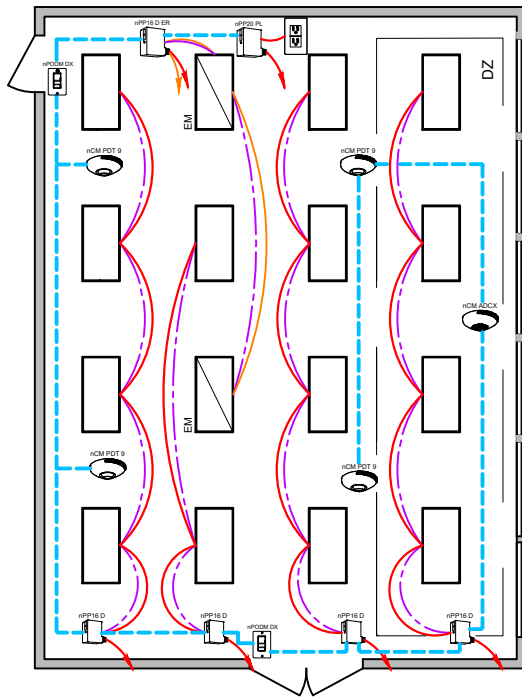


DIAGRAM LEGEND	
	CAT-5e CABLE
	LINE VOLTAGE WIRES
	0-10VDC WIRES
	LINE POWER
	EM LINE POWER

BILL OF MATERIAL		
QTY	PRODUCT #	DESCRIPTION
4	nPP16 D	RELAY PACK WITH 0-10V DIMMING OUTPUT
1	nPP16 D ER	EMERGENCY RELAY PACK WITH 0-10V DIMMING OUTPUT
2	nPODM DX	ON/OFF & RAISE/LOWER WALL POD
4	nCM PDT 9	OCCUPANCY SENSOR
1	nCM ADCX	DAYLIGHT SENSOR
1	nPP20 PL	PLUG LOAD RELAY PACK

SUPPORTS THE FOLLOWING REQUIREMENTS:

- FULL AUTO-OFF VIA OCCUPANCY SENSOR
- LOCAL SWITCH
- PLUG-LOAD CONTROL
- MULTI-LEVEL/ DIMMING CONTROL
- MULTI-LEVEL DAYLIGHT CONTROL