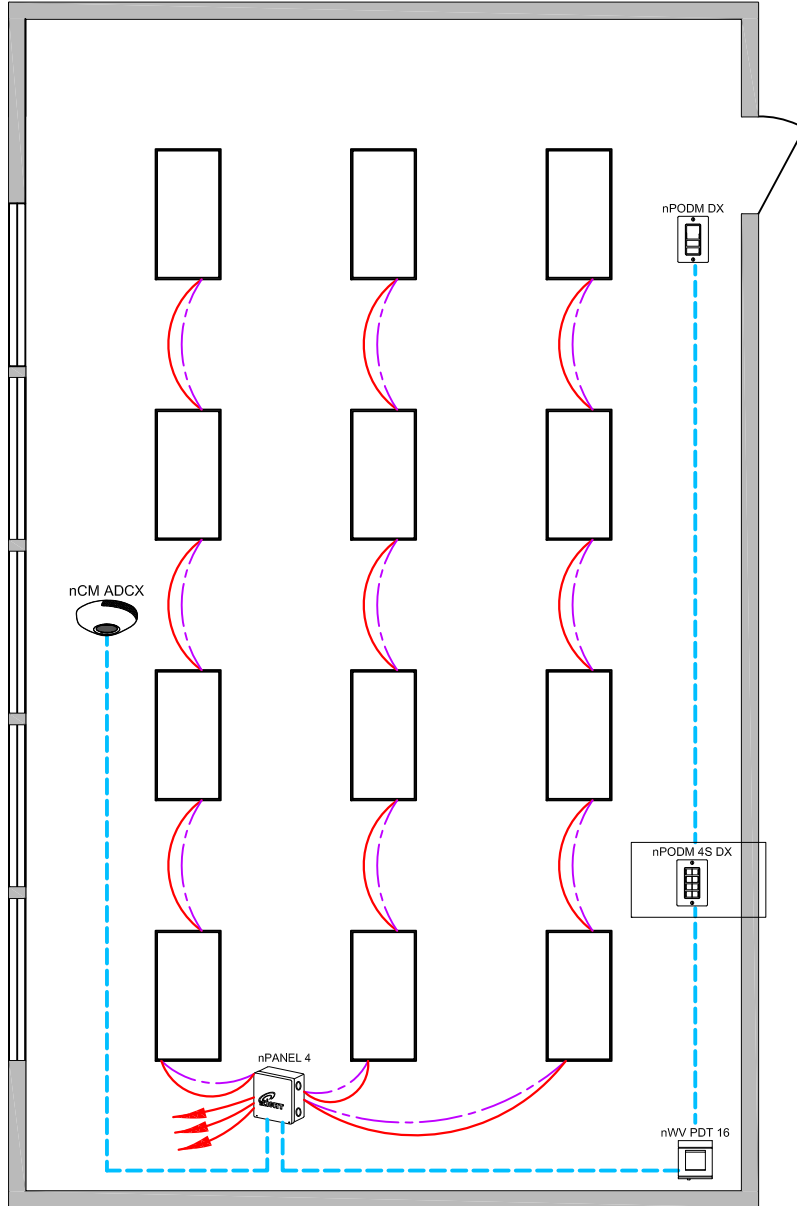


IECC 2015 DESIGN GUIDE

CLASSROOM WITH 0-10V DIMMING FIXTURES (PANEL ALTERNATIVE)



SEQUENCE OF OPERATION:

LIGHTS

- ALL LIGHTS ARE DIMMABLE
- EACH ROW CONTROLLED INDEPENDENTLY
- MAXIMUM LEVEL CAN BE LIMITED TO 80%

OCCUPANCY

- LIGHTS MUST BE TURNED ON MANUALLY (OR CAN BE RECONFIGURED TO BE AUTO ON TO 50%)
- LIGHTS AUTOMATICALLY TURN OFF WHEN ROOM BECOMES VACANT

DAYLIGHT

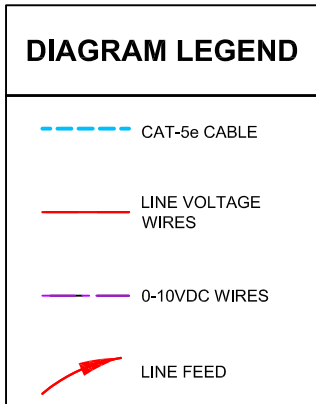
- PROVIDES UP TO THREE DAYLIGHT ZONES, EACH CONTROLLED INDEPENDENTLY
- NOT REQUIRED FOR AREAS WITHOUT WINDOWS OR THAT HAVE LOADS <150W IN SIDELIGHT ZONES

MANUAL

- MASTER ON/OFF & RAISE/LOWER CONTROL OF ENTIRE ROOM
- OPTIONAL 4 SCENE CONTROL

ADDITIONAL OPTIONS:

- SURFACE OR RECESSED MOUNT SENSORS ALSO AVAILABLE
- ADD ADDITIONAL RELAY PACK (MODEL NPP16 D) IF A WHITE BOARD LIGHTING ZONE ALSO REQUIRED
- ADD GRAPHIC WALLPOD (MODEL NPOD GFX) FOR INDIVIDUAL ROW AND UP TO 16 SCENE CONTROL
- ROOM CAN BE CONNECTED TO NLIGHT BACKBONE TO ENABLE NET-WORK CONTROL OR TIME SCHEDULES (C405.2.2.1)
- FOR EMERGENCY LIGHTING CONTROL ADD A VOLTAGE BARRIER.



BILL OF MATERIAL

QTY	PRODUCT #	DESCRIPTION
1	nPANEL 4	FOUR RELAY MODULE WITH 0-10V DIMMING OUTPUT & EM OPTIONS
1	nPODM DX	ON/OFF & RAISE/LOWER WALL POD
1	nWV PDT 16	DUAL TECHNOLOGY WIDE VIEW OCCUPANCY SENSOR
OPTIONS		
1	nPODM 4S DX	TEACHER STATION - 4 SCENE CONTROL MASTER ON/OFF RAISE/LOWER.
1	nCM ADCX	AUTOMATIC DIMMING CONTROL PHOTOCELL

SUPPORTS THE FOLLOWING REQUIREMENTS:

- FULL AUTO-OFF VIA OCCUPANCY SENSOR (C405.2.1.1)
- LOCAL SWITCH (C405.2.2.3)
- LIGHTING REDUCTION (C405.2.2.2)
- SIDELIGHT DAYLIGHT ZONE (C405.2.3.2)