

BLT LED NON-SENSOR 2'X2', 2'X4', 1'X2', 1'X4', and 20" X 4' TRIM RING INSTALLATION INSTRUCTIONS

CAUTION: Read and follow Important Safeguards carefully before proceeding.



1'x4'

2'x4'



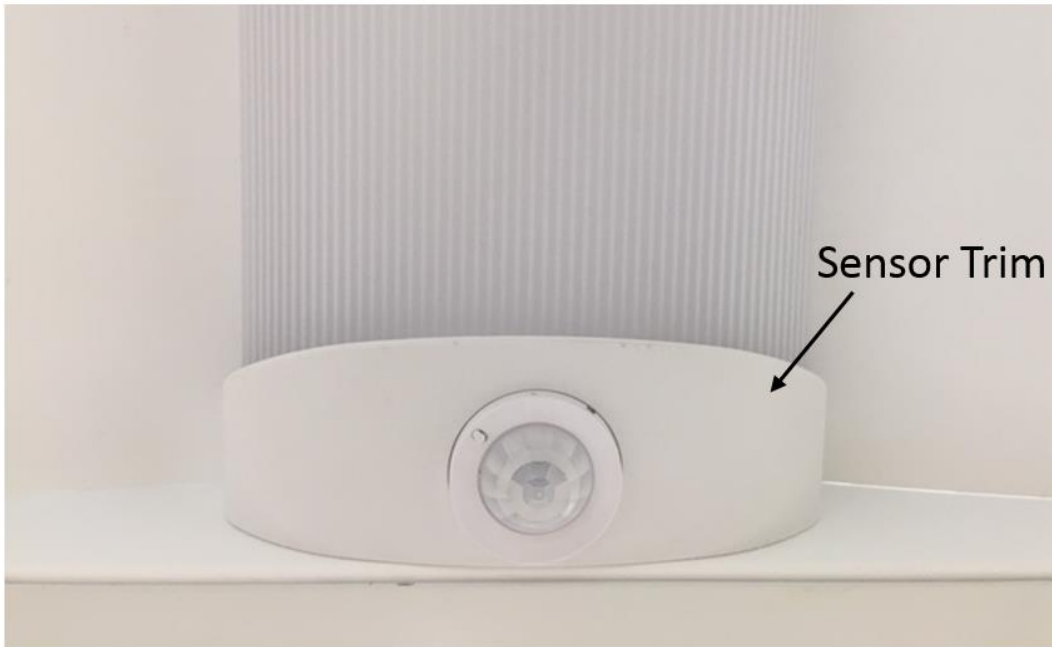
2'x2'

1'x2'



20"x4'

This recall does not include BLT LED 2'X2', 2'X4', 1'X2', 1'X4', and 20" X 4' fixtures with Sensor Trims. No action or repair is required if your fixture has a Sensor Trim as shown in the image below.



IMPORTANT SAFEGUARDS

1. READ AND FOLLOW ALL SAFETY INSTRUCTIONS.
2. Turn off electricity at fuse or circuit breaker before proceeding.
3. All work should be performed by qualified personnel.
4. For installation and maintenance instructions please go to www.lithonia.com.
5. Wear gloves and safety glasses at all times.

CAUTION: BEFORE PROCEEDING WITH THESE STEPS, TURN OFF ELECTRICITY AT FUSE OR CIRCUIT BREAKER LOCATION. READ AND FOLLOW **IMPORTANT SAFEGUARDS**.

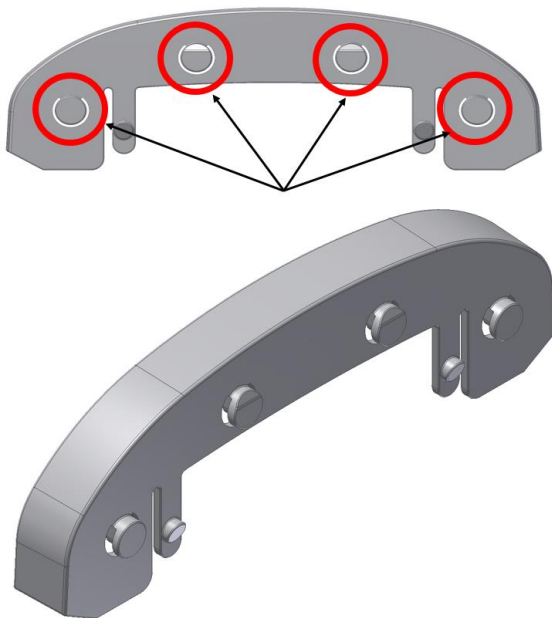
STEP 1: INSPECT REPLACEMENT TRIM RING PARTS TO ENSURE YOU HAVE RECEIVED THE CORRECT PARTS FOR YOUR EXISTING BLT LED NON-SENSOR 2'X2', 2'X4', 1'X2', 1'X4', and 20" X 4' FIXTURES.

BLT LED Non-Sensor 1'X4', 1'X2', and 20" X 4' Round and Square Trim Ring

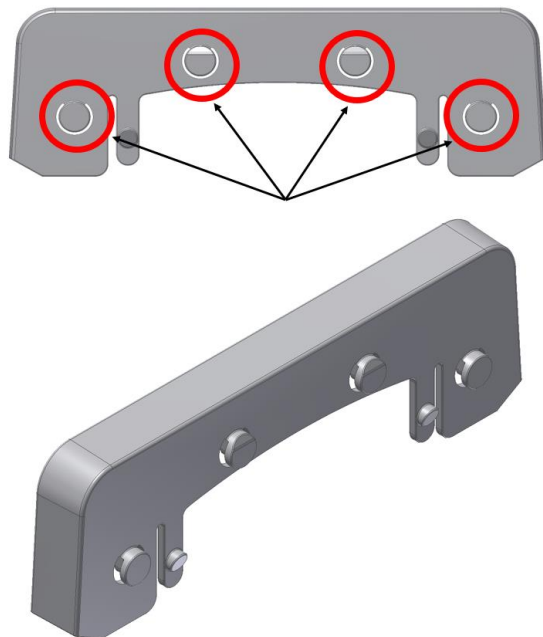
Below are the Round and Square Trim Rings for use in 1'X4', 1'X2', and 20" X 4' luminaires. The Trim Rings can be identified by counting the bosses on the back of the parts as illustrated below. These Trim Rings have 4 bosses as shown.

Please contact Post Sales at 844-675-2339 if you received incorrect parts.

ROUND TRIM RING



SQUARE TRIM RING

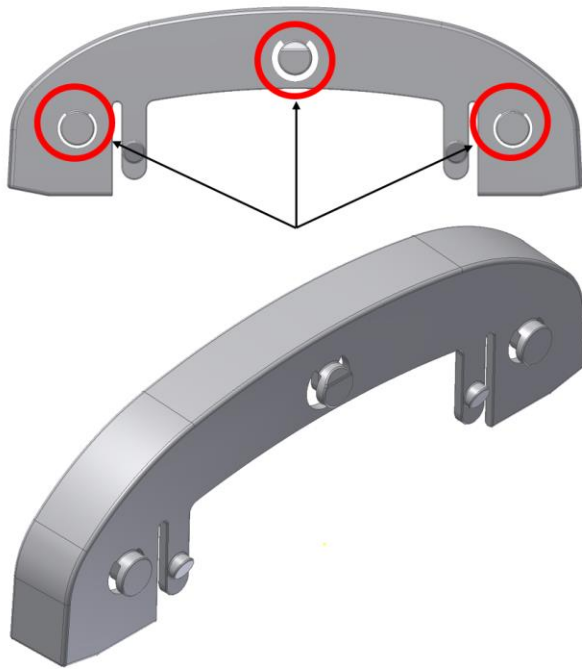


BLT LED Non-Sensor 2'X2' and 2'X4' Round and Square Trim Ring

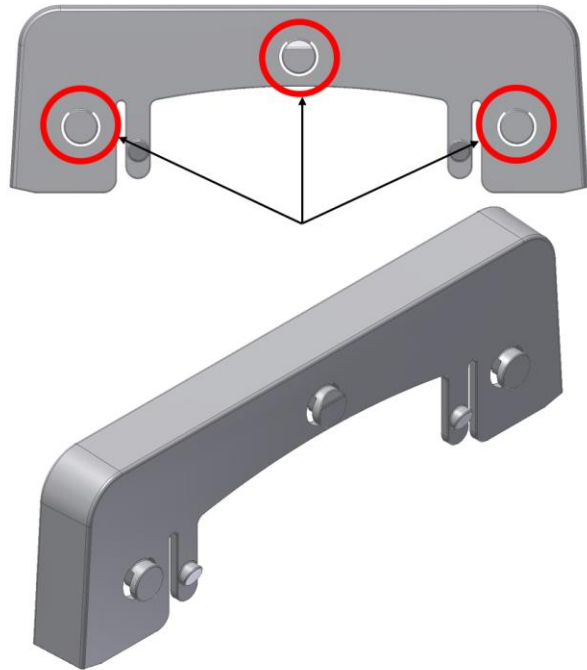
Below are the Round and Square Trim Rings for use in 2'X2' and 2'X4' luminaires. The Trim Rings can be identified by counting the bosses on the back of the parts as illustrated below. These Trim Rings have 3 bosses as shown.

Please contact Post Sales at 844-675-2339 if you received incorrect parts.

ROUND TRIM RING



SQUARE TRIM RING



STEP 2: CAREFULLY REMOVE LENS FROM LUMINAIRE

NOTE: THIS MODIFICATION REQUIRES REUSE OF EXISTING LENS. USE CAUTION TO PREVENT DAMAGING LENS DURING REMOVAL.

- A. Grasp Lens toward end of fixture on one side and gently pry away from channel using fingertips.



- B. Lens will begin to disengage. Work lens loose and remove from fixture. After removal, set aside in a safe area for later use in Step 5A.



STEP 3: REMOVE LIGHT TRAPS FROM EACH END OF FIXTURE

- A. Light Trap can be removed by pulling removal tabs away from End Plate. While pulling removal tab away from End Plate, slide the Light Trap down to disengage.
- B. Repeat with Light Trap on opposite end of fixture.



- C. Ensure safety glasses and gloves are on. Break both removed Light Traps in half and discard.



STEP 4: INSTALL ONLY ONE TRIM RING ON END OF LUMINAIRE

NOTE: DO NOT INSTALL BOTH TRIM RINGS, ONLY ONE END FIRST

- A. Align Trim Ring with keyholes in End Plate, push flush to End Plate, and push up firmly. You will hear an audible click when each latch engages (2 latches). Gently pull on Trim Ring after installation to confirm it is fully engaged.



Review the images below to confirm Trim Ring is installed correctly

Correctly installed Trim Ring. No gap between Trim Ring and End Plate



Incorrectly installed Trim Ring. Gap between Trim Ring and End Plate



Incorrectly installed Trim Ring. Gap between Trim Ring and End Plate



STEP 5: INSTALL LENS AND TRIM RING ON OTHER END OF LUMINAIRE

- A. Retrieve the Lens removed from Step 2B.
- B. Insert one end of the Lens into the Trim Ring installed on the fixture End Plate and slide into place.



- C. Place second Trim Ring on other end of Lens and hold securely.



D. Press Lens and Trim Ring together into other End Plate and align pins to keyholes on the end plate.

E. Push side edge of Trim Ring (E1) up until you hear an audible click. Push other side edge of Trim Ring (E2) up until you hear a second audible click.



STEP 6: PERFORM PULL TEST TO CONFIRM TRIM RINGS FULLY ENGAGED

A. Grab the center of the Lens and firmly pull. If Trim Ring is not installed correctly, you will feel the Trim Ring move or disengage.

B. If Trim Ring feels loose, repeat step 5E on both Trim Rings. Repeat pull test.

