

POLES CENTRAL

RESOURCES AND SOLUTIONS FOR OUTDOOR LIGHTING

[Search](#)[OUR PRODUCTS](#)[BEST PRACTICES](#)[RESOURCES](#)[ABOUT US](#)[Pole Grounding Provisions](#)[Best Practices](#) > [Installation & Maintenance](#) > [Pole Grounding Provisions](#)[Print](#)[Email](#)[PDF](#)

Pole Grounding Provisions

Steel Poles:

Each steel pole comes with a grounding provision located inside the handhole. Our steel poles come with either a 1/2" CapScrew and 1/2" Nut or a 1/2" - 13NC tapped lug to attach the electrical ground wire to the pole.

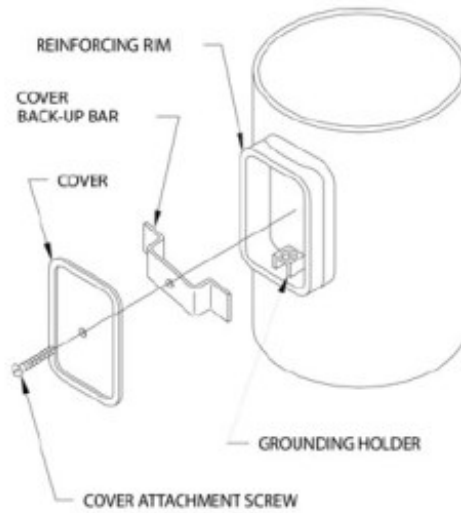
Aluminum Poles:

Each aluminum pole comes with a grounding provision located inside the handhole. Our aluminum poles come with either a 1/4", 3/8" or 1/2" tapped lug depending on the pole size. This tapped lug should be used to attach the electrical ground wire to the pole.

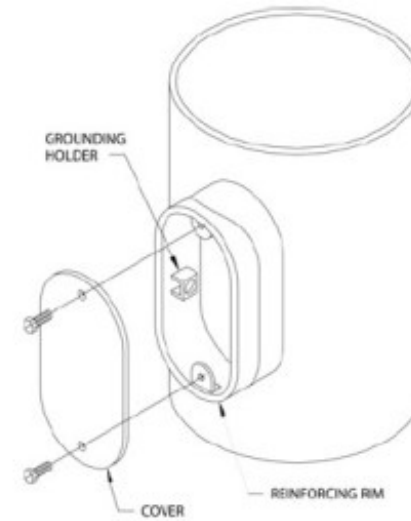
Festoon Provision:

A festoon is available on all our poles. The festoon comes without the electrical components, but have the clips in place to attach the appropriate outlet and cover to the pole.

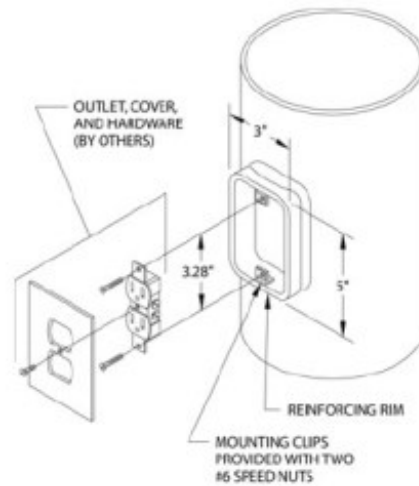
Pole Grounding Provisions



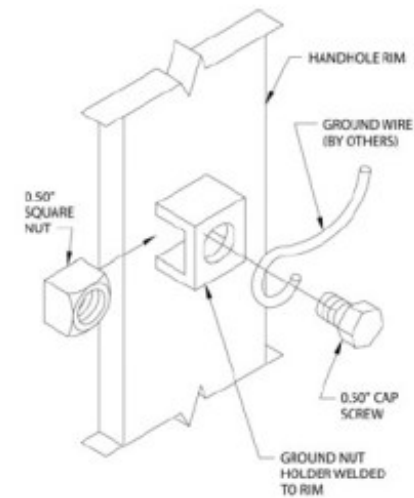
3"x 5" Hand Hole Detail



4"x 6" Hand Hole Detail



Festoon Box Detail



Grounding Holder Detail



Our Brands

Lithonia Lighting • Acculamp • American Electric Lighting • Antique Street Lamps • Carandini • Dark To Light
Gotham • Holophane • Hydrel • Healthcare Lighting • Lighting Control & Design • Mark Architectural Lighting

Customer Service

Contact Us • Comments
Site Terms • Privacy Policy

