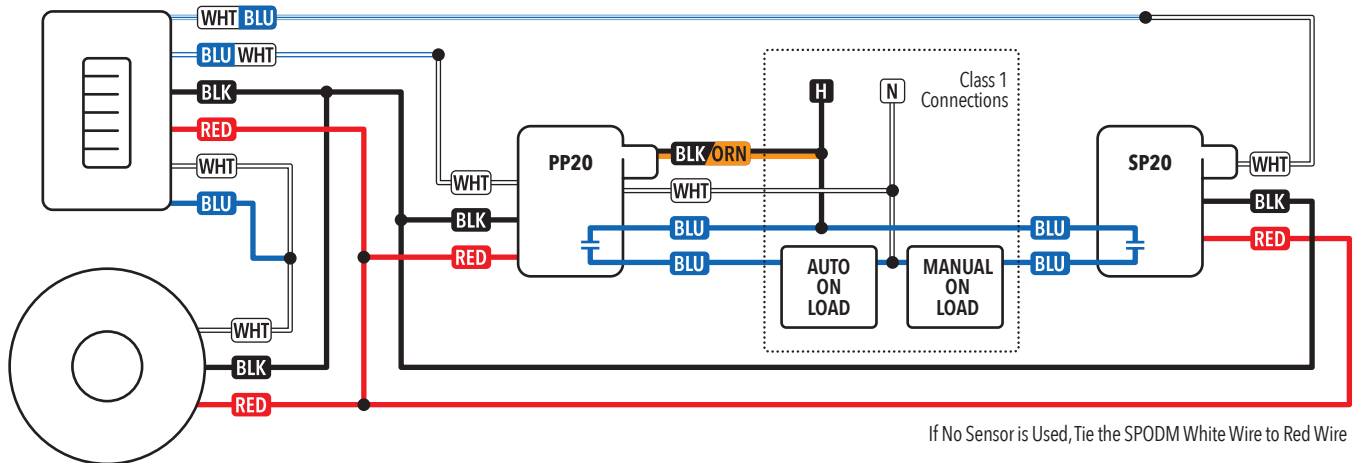


WallPods

Wiring Diagrams

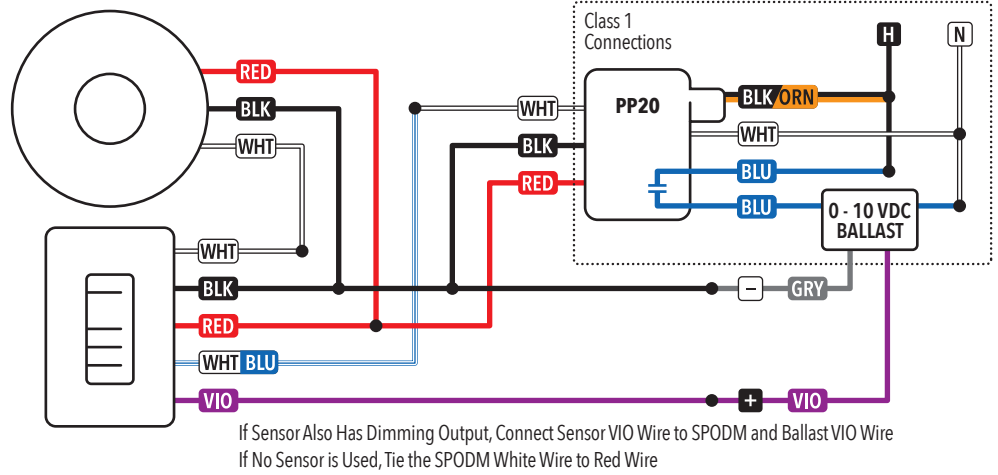


BI-LEVEL (AUTO-ON / MANUAL ON)
SOLUTION W/ OCCUPANCY SENSOR:
SINGLE GANG

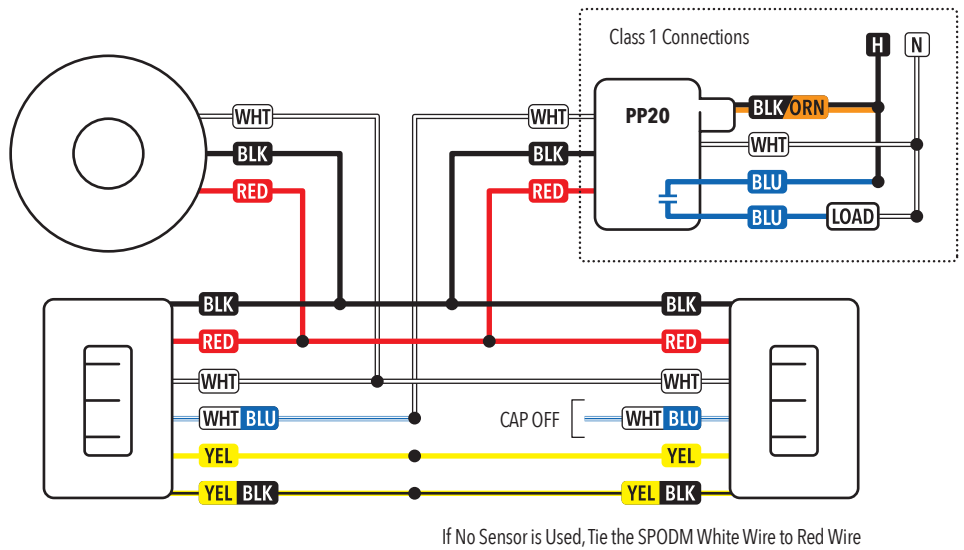


If No Sensor is Used, Tie the SP0DM White Wire to Red Wire

**MANUAL ON/DIMMING W/
OCCUPANCY SENSOR**



**3-WAY MANUAL ON SOLUTION W/
OCCUPANCY SENSOR: SINGLE GANG**



BI-LEVEL (AUTO-ON / MANUAL ON)
 SOLUTION W/ OCCUPANCY SENSOR:
 TWO-GANG

