

RECOMMENDED INSTALLATION PROCEDURE

1 Install CD through knockout and secure with a locknut. Terminate the conductors properly. Install the J-box cover plate.

2 Wire the ballast leads to the SSC feed the connections through the fixture knockout, then snap the component into place.

TIP: This step is normally done before placing fixture in the ceiling.

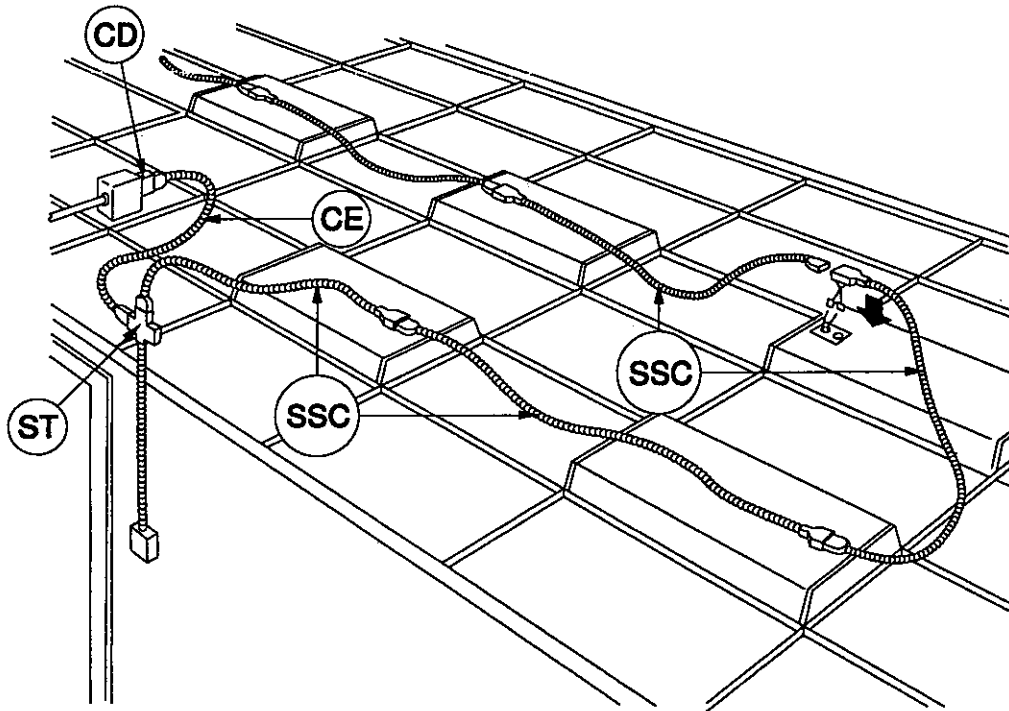
3 Undo the wire tie and feed the cable to the previous fixture.

TIP: Install the last fixture in the run and work toward the CD.

4 Connect the male cable head to the female port of the CD.

NOTE: If local switching is required, see switching instruction sheet.

SYSTEM VIEW USING SSC PRODUCT



WIRE COLOR BY POSITION AND VOLTAGE

Conductor	
Conductor	
Ground	
Conductor	
Conductor	

Wire Colors by Position and Voltage

Pos	120V	277V	347V
2	Red	Brown	Red
1	Black	Yellow	Black
G	Green	Green	Green
N	White	White	White
3	Blue	Orange	Blue

All components are guaranteed for a period of one (1) year from the date of delivery to the customer against any defect in manufacture, provided the defect develops under normal and proper use. Our guarantee liability extends only to replacement of the defective part and no labor charges for the correction of the defect by repair or replacement will be handled by the factory unless prior written authority has been granted by our Customer Service Department.

FIELD INSTALLATION INSTRUCTIONS

(Please Read Carefully)

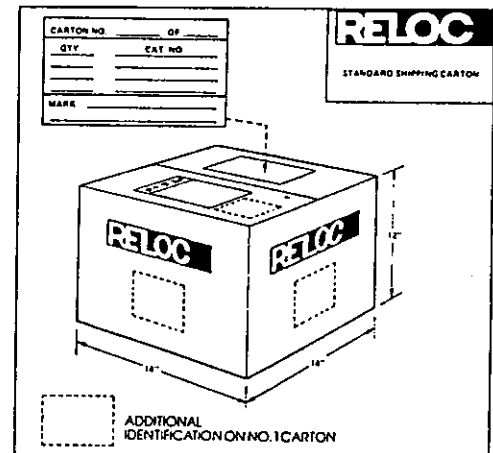
IMPORTANT SAFEGUARDS

1. **READ AND FOLLOW ALL SAFETY INSTRUCTIONS.**
2. **MUST BE** installed by a qualified electrician.
3. **MUST BE** installed in compliance with national and local codes.
4. **DO NOT** service or install while energized.
5. Materials are component parts of a manufactured wiring system as described in Article 604 of the National Electric code and Underwriters Laboratories Standard for Safety #183 and **MUST BE** installed accordingly.
6. **DO NOT** use equipment for other than intended use.
7. **DO NOT** tamper with contacts in components or attempt to modify product.
8. **DO NOT** change or alter installation circuitry.
9. **DO NOT** stretch or attempt to use cable sets of insufficient length.
10. Ensure latching springs are fully engaged prior to moving to next connection.

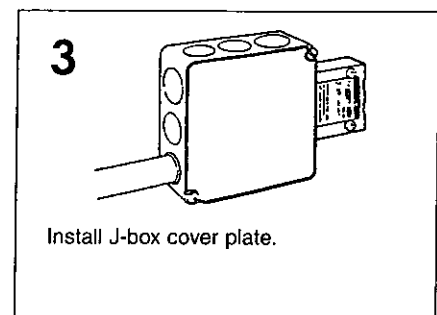
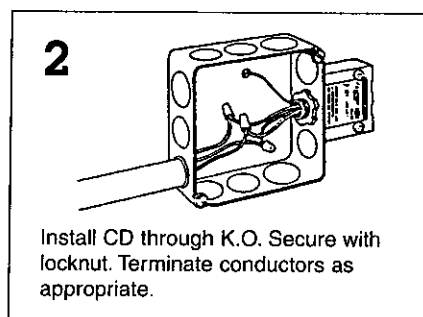
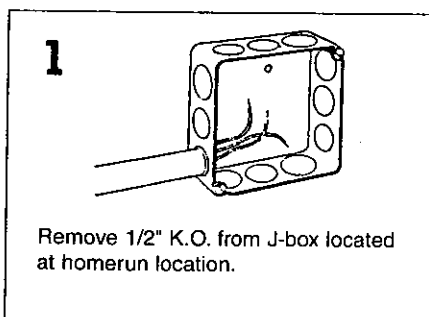
RECEIVING RELOC MATERIAL AT THE JOB SITE

When your Reloc shipment arrives, it will be divided into groups, if previously requested. Typically, each group will represent either the rough-in material (Conversion Module, Circuit Distributors, etc.) or the finishing material (Cable Extenders, Splitter Splices, etc.) for a floor or section of a floor.

Locate the number one carton for each group. You can identify this carton by the red and white "packing list" stickers. In this carton, you will find a packing list for each carton within the group and installation instructions. Check the packing list against the Reloc Bill of Materials. For simplicity, Reloc cables less than 20 feet in length are packed ten to a carton. Cables longer than 20 feet are typically packed five to a carton. Less-than-carton quantities will be combined into one carton, but no more than three different components will be packed in a box. The carton will be labeled: "ATTENTION _____ This carton contains mixed components—see top panel for contents." If you discover an incorrect component, material shortage, damaged item or need technical assistance, notify your Lithonia Reloc Representative immediately.



RECOMMENDED PROCEDURE

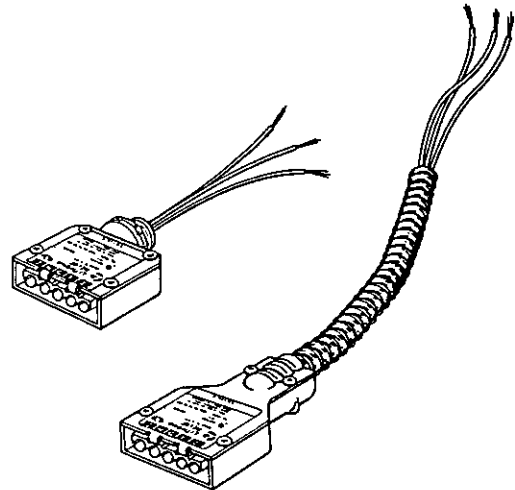


FEATURES

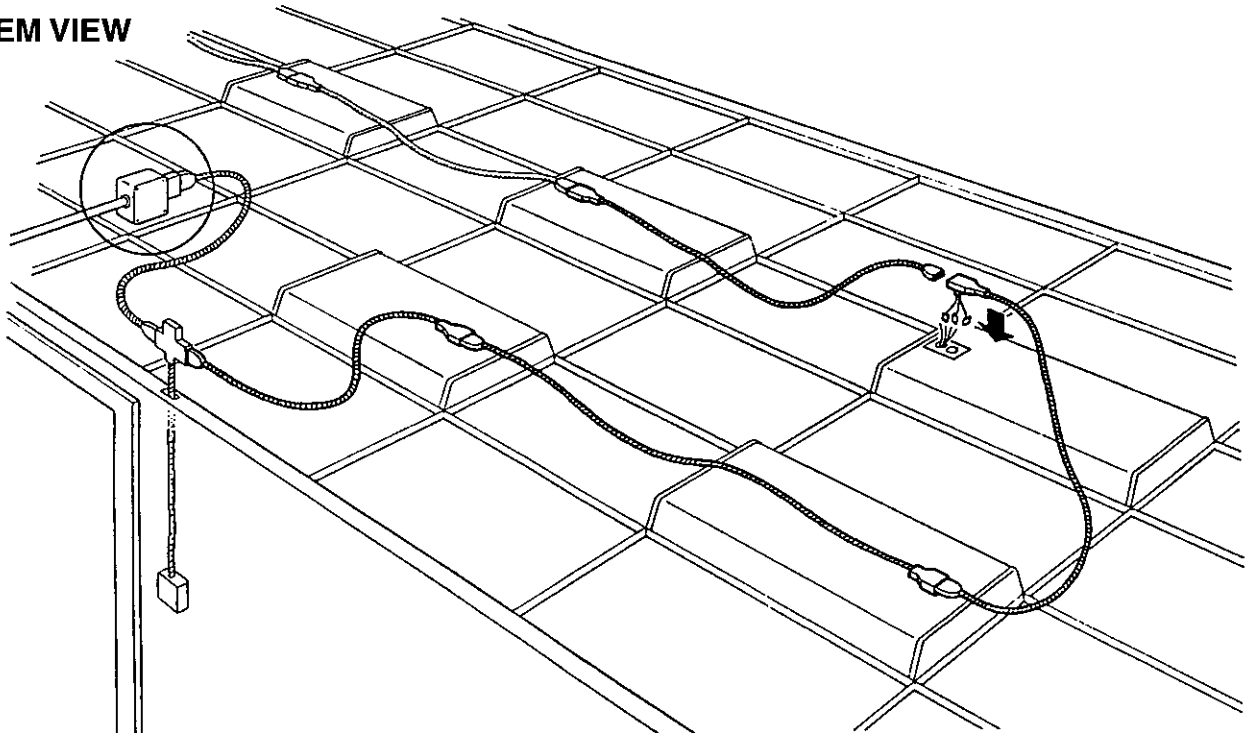
- Pin and socket contacts
- Rated for use on 20-amp branch circuits
- Installed through standard 1/2" trade-sized knockout
- Branch circuit conductors are No. 12 AWG solid copper rated at 600V, 90°C thermoplastic insulation
- Safety keying prevents accidental mismatching of components with different voltages or functions
- Color-coding rapidly identifies system voltage
- UL and IBEW labeled
- Meets UL requirements for connecting and disconnecting under load
- 6" leads are pre-stripped 5/8" for ease of wiring

APPLICATION

The Circuit Distributor (CD) provides the interface between hardwiring and Reloc wiring systems. Conventional wiring methods bring power from the panel to the homerun location where the CD is installed.



SYSTEM VIEW



WARRANTY INFORMATION

All components are guaranteed for a period of one year from the date of delivery to the customer against any defect in manufacturing, provided the defect develops under normal and proper use. Our guarantee liability extends only

to the replacement of the defective part and no labor charges for the correction of the defect by repair or replacement will be honored by the factory unless prior written authority has been granted by our Service Department.



A DIVISION OF LITHONIA LIGHTING

P.O. BOX A CONYERS, GEORGIA 30012-0067 • TELEPHONE 770.922.9000 • FAX 770.922.6752

©1990 Lithonia Lighting
Part No. XKD002A