

Wind Loading, Anchorage Verification, and RFA Form

Note: If any information or documentation is not clear, we will return the request with "Needs Clarification". Please be sure to attach all information for the request for this PDF.

Basic Information: (All Required)

Agency Name, Rep Name:	Agile Quote Number:
Requestor Email Address or Phone Number:	Bid Date:
Job Name:	Job Location (City, State):
Wind Zone Speed and Design Criteria: i.e. AASHTO year, IBC, etc. Wind Zone Link	Special Location: i.e. Airport, parking deck, etc.

Additional Submittal Documentation:

Check off documentation included in request and attach to this PDF.

- | | |
|--|--|
| <input type="checkbox"/> Reference Drawings
If yes, please attach to this PDF | <input type="checkbox"/> Anchorage Verification Form
(Required for modified base or to match existing anchorage, form found below) |
| <input type="checkbox"/> Specification Sheets
If yes, please attach to this PDF | <input type="checkbox"/> Competitor drill pattern (SPDRILLxx)
If yes, please attach to this PDF |
| <input type="checkbox"/> Regulations; Compliance
If yes, please specify > | _____ |
| <input type="checkbox"/> Other
If yes, please specify > | _____ |

Pole and Fixture Information: (All Required)

Pole Description: (i.e. SSS 20 4C DM19AS VD EHH4A DDBXD)	Pole Base Mounting Height: i.e. at grade, foundation-parking garage-bridge height, transformer base, etc.
Fixture Weight and EPA (per fixture):	Fixture Mounting Details (if not standard): i.e. competitor drill pattern (SPDRILLxx), lower drill height, or orientation change.

Mounted Item Information:

If none, leave section blank. Specification sheets may be attached for reference.

Mounted Item(s): i.e. camera, speaker, signage, wireless access points, etc.	Item mounting method, height, orientation: i.e. band mount, 13', side C	Weight and EPA/Dimensions:
Item 1 -		
Item 2 -		
Item 3 -		
Item 4 -		
Item 5 -		
Item 6 -		

Banner Arm Information (BARM_{xy}):

Requires RFA. If none, leave section blank.

- How many banners per pole? _____
- Width and length of banner(s)? _____
- Pole mounting height(x) of top banner arm(s)? _____
- Pole orientation(y) for banner arm(s)? _____
- Will breakaway banner arm(s) be acceptable? _____

Cable, Catenary and Eye Bolt Information (EYB_{xy}):

Requires RFA. If none, leave section blank.

- Assuming eye bolts will be used to hold cable(s), what is the pole mounting height(x) and orientation(y) for eye bolt(s)? _____
- What is the other end of cable going to be mounted to?
i.e. pole, wall, etc. _____
- What is the worst-case cable span length? _____
- Weight (lb per foot) and sag of the worst-case cable span? _____
- EPA or dimensions of the string fixture and how many per ft? _____
- Please provide a diagram of the cable system with dimensions; attach to this PDF.

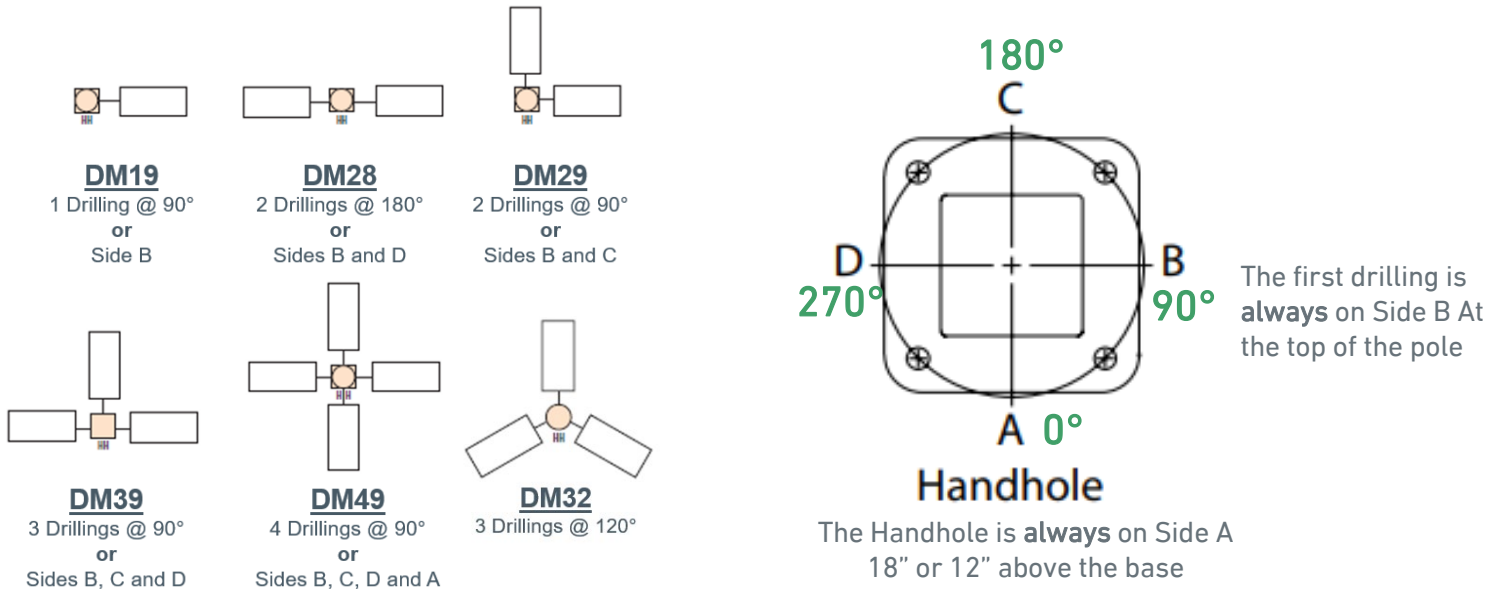
Other Custom Options:

Requires RFA. If none, leave section blank.

<input type="checkbox"/> Breakaway Transformer Base (TBASE)	<input type="checkbox"/> Breakaway Couplings (BKYCPL)	<input type="checkbox"/> Non-standard Drilling i.e. One, 4" hole OR Two, 1" holes side by side. Excludes competitor drillings.
<input type="checkbox"/> Non-standard Tenon (Theight"Xdiam")	<input type="checkbox"/> Cable Restraint J-hook (JHxy)	

References:

Standard Drill Mounting Configurations and Pole Orientations



Breakaway Transformer Base Models

<p>TB1-20</p> <p>This base features 11" to 13" top bolt circle and 13" to 15" bottom bolt circle. Stands 20" in height. Base can be ordered with hinged door option or with plastic access door.</p> <p>1975 AASHTO APPROVED</p>	<p>TB1-17</p> <p>This base features 10 1/2" to 13 1/2" top bolt circle and 13" to 15" bottom bolt circle. Stands 17" in height. Base can be ordered with hinged door option or with plastic access door.</p> <p>1985 AASHTO APPROVED</p>	<p>TB3-17</p> <p>This base features 13" to 15 1/8" top bolt circle and 15" to 17 1/4" bottom bolt circle. Stands 17" in height. Base can be ordered with hinged door option or with plastic access door.</p> <p>1985 AASHTO APPROVED</p>
<p>★ TB1-20 MODIFIED</p> <p>SEE NOTE</p> <p>This base features 11" to 13" top bolt circle and 10 1/2" to 12 15/16" bottom bolt circle. Stands 20" in height. Base can be ordered with hinged door option or with plastic access door.</p> <p>1975 AASHTO APPROVED</p>	<p>★ TB1-17 MODIFIED</p> <p>SEE NOTE</p> <p>This base features 10 1/2" to 13 1/2" top bolt circle and 10 1/2" to 12 15/16" bottom bolt circle. Stands 17" in height. Base can be ordered with hinged door option or with plastic access door.</p> <p>1985 AASHTO APPROVED</p>	<p>TB3-20</p> <p>This base features 13" to 15 1/8" top bolt circle and 15" to 17 1/4" bottom bolt circle. Stands 20" in height. Base can be ordered with hinged door option or with plastic access door.</p> <p>1975 AASHTO APPROVED</p>
<p>TB2-20</p> <p>This base features 10" to 12" top bolt circle and 10" to 12" bottom bolt circle. Stands 20" in height. Base can be ordered with hinged door option or with plastic access door.</p> <p>1975 AASHTO APPROVED</p>	<p>TB2-17</p> <p>This base features 10" to 12" top bolt circle and 10" to 12" bottom bolt circle. Stands 17" in height. Base can be ordered with hinged door option or with plastic access door.</p> <p>1985 AASHTO APPROVED</p>	<p>★ NOTE: SPECIAL STACK PACK WASHERS ARE REQUIRED</p>

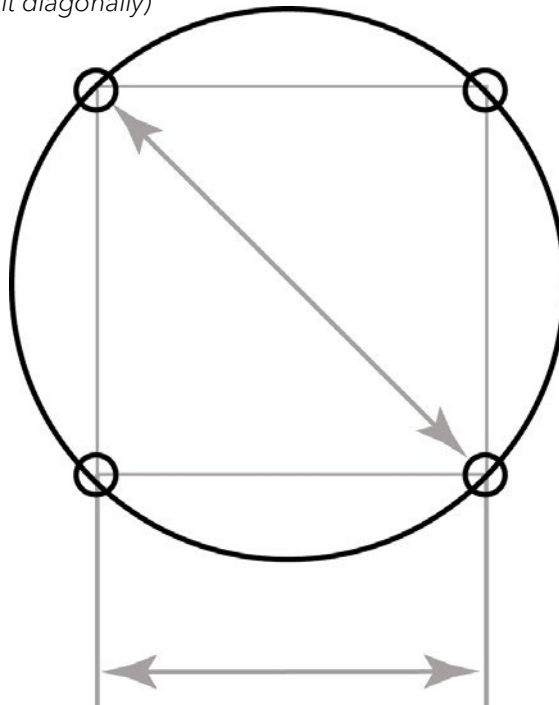
Existing Anchorage Verification Form

NOTE: Do Not Complete for poles with new foundation, ONLY to match existing anchorage

Bolt Circle Diameter

(Measured center bolt to center bolt diagonally)

Bolt Circle = _____"

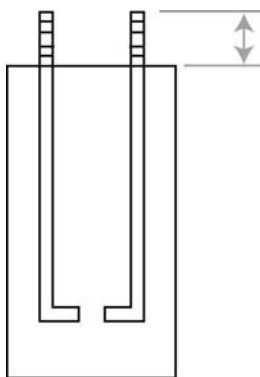


*All dimensions are required

Anchor Bolt Square

(Measured center bolt to center bolt at 90 degrees)

Bolt Square = _____"



Anchor Bolt Projection = _____"

Anchor Bolt Diameter = _____"

NOTE: STEEL POLES require 2 anchor nuts per bolt. Absolute minimum anchor bolt projection for .76" diameter bolts is 3.25". This is NOT the recommended projection. Consult Lithonia Lighting Technical Support.

Absolute minimum anchor bolt projection from 1.0" diameter bolts is 3.76". This is NOT the recommended projection. Consult Lithonia Lighting Technical Support.

Job Name: _____

Measured By: _____

Location: _____

Order # _____