

CONTENTS

GENERAL PURPOSE

| | |
|------------------------------|-------|
| Industrial High Bay..... | 98-99 |
| Contractor Select Stock..... | 100 |

SPECIFICATION

| | |
|-----------------------------|-----|
| Induction High Bay..... | 101 |
| Multi-Purpose High Bay..... | 102 |
| High-Lumen High Bay..... | 103 |
| Retail High Bay..... | 104 |
| Full-Body High Bay..... | 105 |
| Aisle Lighter..... | 106 |

| | |
|--|---------|
| OPTIONS & ACCESSORIES | 107-109 |
|--|---------|

IB

I-BEAM®



Intended Use
The I-BEAM Series is the ideal one-for-one replacement of common metal halide high bay systems. The unique COOL RUNNING™ technology provides trouble-free operation in ambient spaces up to 65°C. Applications include manufacturing, warehousing, commercial facilities and retail. Consult factory for use in gymnasiums. I-BEAM fixtures perform best at mounting heights from 15'-40'. **Certain airborne contaminants can diminish integrity of acrylic. Refer to Acrylic Environmental Compatibility tables on pages 794-795 for suitable uses.**

Construction
Channel is formed of heavy-duty, code-gauge steel to stand up to the most demanding elements. Lamp holder assembly protects from incidental damage to reflectors during installation.

Finish: Channel is high-gloss white baked enamel; five-stage iron phosphate pretreatment ensures superior paint adhesion and rust resistance.

Optics
Two optical systems are available. Narrow distribution(ND) is ideal for narrow or aisle lighting applications and features precision-formed segmented optics utilizing highly reflective specular aluminum reflectors. Provides 95% reflectivity and

warranted for 25 years. Wide distribution(WD) includes high-reflectance white finish for general or open areas.

Electrical
Thermally protected, resetting, Class P, HPF, A+ sound-rated electronic ballast. AWM TFM or THHN wire used throughout is rated for required temperatures. Ballast disconnect standard (BDP).

Socket: Sockets include secure positioning rotating collars with enclosed contacts. Access plate on the back of the channel housing allows quick and easy wiring.

Installation
Suitable for suspension by chain, cable, hook monopoint or pendant monopoint.

Fixture should not be mounted directly to ceiling surface. For optimum performance, fixture should be mounted at least 18" below ceiling plane.

Listings
UL/C-UL listed to U.S. and Canadian safety standards for ambient operation up to 65°C. Suitable for damp locations.

Guaranteed for one year against mechanical defects in manufacturing. Ballast warranty: five years when operated in 55°C or less ambient conditions, three years when operated in 65°C or less ambient conditions. T5 COOL RUNNING™ technology only.



ORDERING INFORMATION For shortest lead times, configure products using **bolded options**.

Example: IB 654L

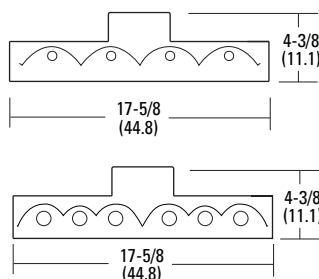
| Series | Lamp type | Distribution | Voltage | Ballast configuration ³ |
|--|------------------------------------|---|--|---|
| IB I-BEAM | Lamps installed¹ | (blank) Narrow distribution with uplight | (blank) MVOLT ¹⁰ | (blank) Standard configuration ³ |
| | 454L 4-lamp, 54W, T5HO | NDS Narrow distribution, no uplight | HVOLT 347V-480V | 2/3 Two, 3-lamp ballasts |
| | 654L 6-lamp, 54W, T5HO | WD Wide distribution with uplight | 120 120V | 2/2 Two, 2-lamp ballasts |
| | 432L 4-lamp, 32W, T8 | WDS Wide distribution, no uplight | 277 277V | |
| | 632L 6-lamp, 32W, T8 | | 347 347V | |
| | | | 480 480V ² | |
| Ballast | | Lamp color ¹ | Options | |
| (blank) T5HO electronic ballast, ≤10% THD, programmed rapid start | T5HO | LP841A F54T5HO/841 | EL14 Emergency battery pack ⁵ | CS3 125V L5-15P twist-lock, black cord 18/3 6' ^{7,9} |
| (blank) T8 electronic ballast, ≤10% THD, instant start, high BF | (blank) F54T5HO/841 | T8 | MSI Occupancy sensor pre-wired ^{6,7} | CS7 277V 7-15P molded plug, black cord 18/3 6' ^{7,9} |
| GEB10IS T8 electronic ballast, ≤10% THD, instant start, normal BF | LP835 F54T5HO/835 | (blank) F32T8/741 | GLR Internal fast blow fusing | CS11 277V L7-15P twist-lock, black cord 18/3 6' ^{7,9} |
| GEB10RS T8 electronic ballast, ≤10% THD, programmed rapid start | LP830 F54T5HO/830 | LP730 F32T8/730 | OCS RELOC® OnePass® S' installed ⁷ | CS93 600V no plug, white cord 18/3 6' ^{7,9} |
| | LP850 F54T5HO/850 | LP735 F32T8/735 | FSP Integral side panels | CS97 480V L8-20P twist-lock, black cord 18/3 6' ^{7,9} |
| | T5HO Amalgam⁴ | | NOM Meets Mexican standards | |
| | LP830A F54T5HO/830 | | PMP Pendant monopoint ⁸ | |
| | LP835A F54T5HO/835 | | CS1 120V 5-15P molded plug, black cord 18/3 6' ^{7,9} | |

ADDITIONAL INFORMATION For additional product information, visit www.lithonia.com.

| CONFIGURATIONS | | |
|----------------|---------------------|-----------------------------------|
| LAMP TYPE | 4-LAMP | 6-LAMP |
| T5HO | One 4-lamp ballast | One 4-lamp and one 2-lamp ballast |
| T8 (0.88 BF) | One 4-lamp ballast | One 4-lamp and one 2-lamp ballast |
| T8 (1.2 BF) | Two 2-lamp ballasts | Two 3-lamp ballasts |

| ACCESSORIES | |
|------------------|--|
| ORDER SEPARATELY | |
| IBAC120 M20 | Aircraft cable 10' Y hanger (one pair) |
| IBAC240 M20 | Aircraft cable 20' Y hanger (one pair) |
| WGIBZ | Wireguard |
| HC36 | Chain hanger, 36" |
| IBHMP | Hook monopoint |

Drawings are for dimensional detail only and may not represent actual mechanical configuration. Dimensions are shown in inches (centimeters) unless otherwise noted.



Notes

- 1 Unless otherwise specified, lamps installed are F54T5HO/841 for T5HO and F32T8/741 for T8.
- 2 For use with T5HO only. Consult factory for use with T8.
- 3 See Configurations table for availability.
- 4 Not for use with motion sensors or EL14.
- 5 UL Listed for 55°C. Output in emergency mode varies with ambient temperature (approx. 944 lumens at 25°C and 911 lumens at 45°C). Single-lamp operation only. Not available with HVOLT. Requires some assembly in field for 6-lamp fixture. 120V or 277V only.
- 6 Use of programmed rapid-start ballast recommended to avoid shortened lamp life.
- 7 Specify voltage.
- 8 Fixture must be ordered with PMP for channel modification. Splice box ships separately. For PMP replacement, only order IBPMP.
- 9 Voltage specified must match voltage on cord set. CS93 does NOT require a voltage.
- 10 120-277 volt.

IBC

I-BEAM® Compact 4-lamp



Intended Use

The compact I-BEAM fluorescent high bay is an ideal one-for-one replacement of common metal halide high bay systems. The unique COOL RUNNING™ technology provides trouble-free operation in ambient spaces up to 65°C. Applications include manufacturing, warehousing, commercial facilities and retail. Consult factory for use in gymsnasiums. The fluorescent I-BEAM compact fixture performs at mounting heights from 15'-30'. **Certain airborne contaminants can diminish integrity of acrylic. Refer to Acrylic Environmental Compatibility tables on pages 794-795 for suitable uses.**

Construction

Channel is formed of heavy-duty, code-gauge steel to stand up to the most demanding elements. Lamp holder assembly protects from incidental damage to reflectors during installation. Finish: Channel is high-gloss white baked enamel; five-stage, iron phosphate pretreatment ensures superior paint adhesion and rust resistance.

Optics

Two optical systems are available. Narrow distribution (ND) is ideal for narrow or aisle lighting applications and features precision-formed segmented optics utilizing highly reflective specular aluminum reflectors. Provides 95% reflectivity and

warranted for 25 years. Wide distribution (WD) includes high-reflectance white finish for general or open areas.

Electrical

Thermally protected, resetting, Class P, HPF, A+-sound-rated electronic ballast. AWM TFM or THHN wire used throughout is rated for required temperatures.

Socket: Sockets include secure positioning rotating collars with enclosed contacts. Access plate on the back of the channel housing allows quick and easy wiring.

Installation

Suitable for suspension by chain, cable, hook monopoint or pendant monopoint. Fixture should not be mounted

directly to ceiling surface. For optimum performance, fixture should be mounted at least 18" below ceiling plane.

Listings

UL/C-UL listed to US and Canadian safety standards for ambient operation up to 65°C. Suitable for damp locations.

Guaranteed for one year against mechanical defects in manufacturing. Ballast warranty: five years when operated in 55°C or less ambient conditions, three years when operated in 65°C or less ambient conditions. T5 COOL RUNNING™ technology only.



ORDERING INFORMATION

For shortest lead times, configure products using **bolded options**.

Example: IBC 454L

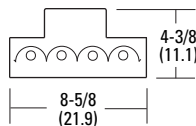
| Series | Lamp type | Distribution | Voltage | Ballast configuration |
|--|------------------------------------|---|---|---|
| IBC I-BEAM compact | Lamps installed¹ | (blank) Narrow distribution with uplight | (blank) MVOLT ¹⁰ | (blank) Standard configuration ² |
| | 354L 3-lamp, 54W, T5HO | NDS Narrow distribution, no uplight | HVOLT 347V-480V | 2/2 Two, 2-lamp ballasts |
| | 454L 4-lamp, 54W, T5HO | WD Wide distribution with uplight | | |
| | 432L 4-lamp, 32W, T8 | WDS Wide distribution, no uplight | | |
| | Unlamped | | | |
| | 354 3-lamp, 54W, T5HO | | | |
| | 454 4-lamp, 54W, T5HO | | | |
| | 432 4-lamp, 32W, T8 | | | |
| Ballast | Lamp color | Options | | |
| (blank) T5HO electronic ballast, ≤10% THD, programmed rapid-start | T5HO | LP835A F54T5HO/835 | EL14 Emergency battery pack ⁴ | CS3 125V L5-15P twist-lock, black cord 18/3 6 ^{5,7} |
| GEB10ISH T8 electronic ballast, ≤10% THD, instant start, high BF ⁹ | (blank) F54T5HO/841 | LP841A F54T5HO/841 | MSI Occupancy sensor pre-wired ^{5,8} | CS7 277V 7-15P molded plug, black cord 18/3 6 ^{5,7} |
| | LP835 F54T5HO/835 | LP850A F54T5HO/850 | GLR Internal fast blow fusing ⁵ | CS11 277V L7-15P twist-lock, black cord 18/3 6 ^{5,7} |
| | LP830 F54T5HO/830 | T8 | OCS RELOC® OnePass® 5' installed ⁵ | CS93 600V no plug, white cord 18/3 6 ^{5,7} |
| | LP865 F54T5HO/865 | (blank) F32T8/741 | FSP Integral side panels | CS97 480V L8-20P twist-lock, black cord 18/3 6 ^{5,7} |
| | T5HO Amalgam³ | LP730 F32T8/730 | NOM Meets Mexican standards | |
| | LP830A F54T5HO/830 | LP735 F32T8/735 | IBPMP Pendant monopoint splice box (3/4" hub) ⁶ | |
| | | | CS1 120V 5-15P molded plug, black cord 18/3 6 ^{5,7} | |

ADDITIONAL INFORMATION

For additional product information, visit www.lithonia.com.

| ACCESSORIES | |
|------------------|--|
| ORDER SEPARATELY | |
| IBAC120 M20 | Aircraft cable 10' Y hanger (one pair) |
| IBAC240 M20 | Aircraft cable 20' Y hanger (one pair) |
| WGIIBC | Wireguard, powder coated |
| HC36 | Chain hanger, 36" |
| IBHMP | Hook monopoint |

Drawings are for dimensional detail only and may not represent actual mechanical configuration. Dimensions are shown in inches (centimeters) unless otherwise noted.



Notes

- 1 Unless otherwise specified, lamps installed are F54T5HO/841 for T5HO and F32T8/941 for T8.
- 2 One 4-lamp ballast included.
- 3 Not for use with motion sensors or EL 14.
- 4 UL Listed for 55°C. Output in emergency mode varies with ambient temperature (approximately 944 lumens at 25°C and 911 lumens at 45°C). Single lamp operation only. Not available with HVOLT. 120V or 277V only.
- 5 Specify voltage.
- 6 Should be ordered with fixture. Housing requires modification to attach splice box. Requires two ballasts. Not field-installable.
- 7 Voltage specified must match voltage on cord set. CS93 does NOT require a voltage.
- 8 Programmed rapid-start ballast recommended.
- 9 Standard with 1 HPF instant-start ballast.
- 10 120-277 volt.

FLUORESCENT HIGH BAYS



Intended Use

The I-BEAM® fluorescent high bay is an ideal one-for-one replacement of common metal halide high bay systems. Applications include warehousing, commercial facilities and retail. The fluorescent I-BEAM fixture performs at mounting heights from 15'-30'. **Certain airborne contaminants can diminish integrity of acrylic. Refer to Acrylic Environmental Compatibility tables on pages 794-795 for suitable uses.**

Construction

Rugged fixture construction coupled with excellent fixture performance. Channel is formed of heavy-duty,

code-gauge steel to stand up to the most demanding elements. Lamp holder assembly protects from incidental damage to reflectors during installation. Channel is high-gloss white baked enamel; five-stage, iron phosphate pretreatment ensures superior paint adhesion and rust resistance.

Optics

Two optical systems are available. Narrow distribution (ND) is ideal for narrow or aisle lighting applications and features precision-formed segmented optics utilizing specular aluminum reflectors. Wide distribution (WD) includes high-reflectance

white finish for general or open areas. Typical arrangement provides over 90% luminaire efficiency.

Electrical

Ballast: MVOLT 120-277V ballast accommodates most electrical requirements. Thermally protected, resetting, Class P, HPF, A+ sound-rated electronic ballast. AWM TFM or THHN wire used throughout is rated for required temperatures.

Sockets: Sockets include secure positioning rotating collars with enclosed contacts. Access plate on the back of the channel housing allows quick and easy wiring.

Installation

Suitable for suspension by chain, cable, hook monopoint or pendant monopoint. Fixture should not be mounted directly to ceiling surface. For optimum performance, fixture should be mounted at least 18" below ceiling plane.

Listings

UL/C-UL listed to U.S. and Canadian safety standards.

Guaranteed for one year against mechanical defects in manufacturing. Ballast warranted for one year when operated in 25°C or less ambient conditions.

CONTRACTOR
SELECT I-BEAM®
FLUORESCENT HIGH BAY LIGHTING

ORDERING INFORMATION

| CATALOG NUMBER | DESCRIPTION | NUMBER OF LAMPS | WATTAGE | VOLTAGE | DISTRIBUTION | UPLIGHT | BALLAST | LAMP INCLUDED | LENGTH (IN.) | FIXTURE WEIGHT (LBS) |
|----------------|-------------------------|-----------------|---------|---------|--------------|---------|------------|---------------|--------------|----------------------|
| IBCT5L | T5 fluorescent high bay | 4 | 54 | 120-277 | Narrow | Y | Electronic | Y | 48-3/8 | 14 |
| IBCT5L WD | T5 fluorescent high bay | 4 | 54 | 120-277 | Wide | Y | Electronic | Y | 48-3/8 | 14 |
| IBCT5 | T5 fluorescent high bay | 4 | 54 | 120-277 | Narrow | Y | Electronic | N | 48-3/8 | 14 |
| IBCT5 WD | T5 fluorescent high bay | 4 | 54 | 120-277 | Wide | Y | Electronic | N | 48-3/8 | 14 |
| IBT8L | T8 fluorescent high bay | 6 | 32 | 120-277 | Narrow | Y | Electronic | Y | 48-3/8 | 20 |
| IBT8L WD | T8 fluorescent high bay | 6 | 32 | 120-277 | Wide | Y | Electronic | Y | 48-3/8 | 20 |
| IBT8 | T8 fluorescent high bay | 6 | 32 | 120-277 | Narrow | Y | Electronic | N | 48-3/8 | 20 |
| IBT8 WD | T8 fluorescent high bay | 6 | 32 | 120-277 | Wide | Y | Electronic | N | 48-3/8 | 20 |

ADDITIONAL INFORMATION

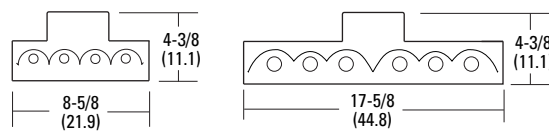
For additional product information, visit www.lithonia.com.

ACCESSORIES

ORDER SEPARATELY

| | |
|-------------|--|
| IBAC120 M20 | Aircraft cable 10' Y hanger (one pair) |
| IBAC240 M20 | Aircraft cable 20' Y hanger (one pair) |
| WGIBZ | Wireguard, powder coated (IBT8) |
| WGIBC | Wireguard, powder coated (IBCT5) |
| HC36 | Chain hanger, 36" |
| IBHMP | Wireguard, powder-coated (IBCT5) |

Drawings are for dimensional detail only and may not represent actual mechanical configuration. Dimensions are shown in inches (centimeters) unless otherwise noted.



FIB



Intended Use
Ideal for large-area retail, industrial and commercial environments where high vibration or difficult maintenance is a concern. Suitable for mounting heights of 18' to over 50'. **Certain airborne contaminants can diminish integrity of acrylic. Refer to Acrylic Environmental Compatibility tables on pages 794-795 for suitable uses.**

Construction
Channel, ends, socket brackets and ballast housings are manufactured from minimum 22-gauge cold-rolled steel. Riveted and screwed

assembly. Tool-less ballast and wiring access.

Standard high-gloss white baked enamel, pre-treated with a 5-stage iron phosphate system. Optional premium polyester powder coat finish, utilizing a 7-stage pretreatment process of iron phosphate, a non-chromium sealer and a de-ionized water rinse to provide superior adhesion and corrosion resistance.

Optics
Reflectors are precision-formed, high performance, 95% total reflectance, segmented optics utilizing

premium specular aluminum warranted for 25 years.

Electrical
Ballasts are electronic, energy-saving, thermally protected, Class P, HPF, non-PCB, Sound Rating A, UL/CSA Certified where applicable and comply with Federal Ballast Law (Public Law 100-357, 1988). UL Listed wire, rated for required temperatures, used throughout.

Installation
May be suspended with aircraft cable, chain hangers or by monopoint hanger.

Listings
Luminaire is bi-national Listed (UL 1598 and CSA C22.2 No. 250.0-00) and is suitable for damp locations with ambient temperatures up to 40°C (104°F).



ORDERING INFORMATION

Lead times will vary depending on options selected. Consult with your sales representative.

Example: FIB23 3 150IL T1X32 MVOLT GIB150 LPS841 PAF WG

| Series | Number of lamps ¹ | Lamp type ² | Distribution/Reflector | | Voltage | Ballast ² | Lamp color | Options |
|--------|------------------------------|------------------------|-------------------------------------|-----------------------|--------------------------|--|--------------------------------|--|
| FIB21 | 1 | 100IL 100W induction | Distribution | Reflector | MVOLT 120V - 277V, 60 Hz | GIB100 100W electronic ballast, <10% THD | Sylvania LPS841 80 CRI, 4100°K | PAF Powder coat after fabrication |
| FIB22 | 2 | 150IL 150W induction | T1 Task (0.9<1.2 SC) | X32 Specular aluminum | | GIB150 150W electronic ballast, <10% THD | LPS850 85 CRI, 5000°K | WG Wireguard, 11 gauge, external mount |
| FIB23 | 3 | | N1 Normal (1.2<1.4 SC) ³ | | | | | |
| FIB24 | 4 | | S1 Spread (1.4<1.8 SC) ⁴ | | | | | |

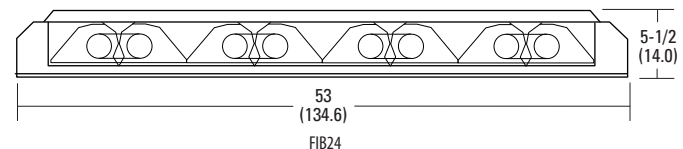
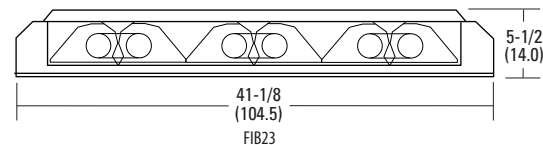
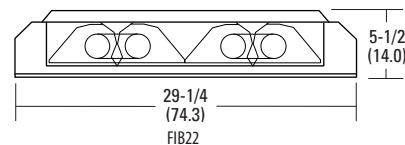
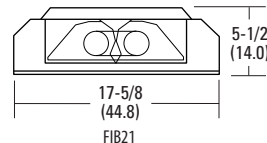
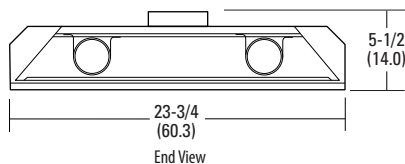
ADDITIONAL INFORMATION

For additional product information, visit www.lithonia.com.

| CONFIGURATIONS | | | | | | |
|----------------|-----------------|--------------|--------------|---------------|--------------|----------------|
| SERIES | NUMBER OF LAMPS | LAMP TYPE | DISTRIBUTION | WIDTH | HEIGHT | LENGTH |
| FIB21 | 1 | 100IL, 150IL | T1, N1, S1 | 23-3/4 (60.4) | 5-1/2 (14.0) | 17-5/8 (44.8) |
| FIB22 | 2 | 100IL, 150IL | T1, N1 | 23-3/4 (60.4) | 5-1/2 (14.0) | 29-1/4 (74.3) |
| FIB23 | 3 | 150IL | T1 | 23-3/4 (60.4) | 5-1/2 (14.0) | 41-1/8 (104.5) |
| FIB24 | 4 | 150IL | T1 | 23-3/4 (60.4) | 5-1/2 (14.0) | 53 (134.6) |

| ACCESSORIES | |
|------------------|--|
| ORDER SEPARATELY | |
| MHYTGB10 | 10' adjustable aircraft cable, 2-toggle, Y hanger (one pair) |
| HSD36 | 3' jack chain with hanger (one pair) |
| SCKFV | 2' safety chain |
| THFIB | Monopoint hanger with 3/4" KO |
| THFIBHB | Monopoint hanger with 3/4" hub |
| THFIBSK | Side covers for monopoint hanger (one pair) |

Drawings are for dimensional detail only and may not represent actual mechanical configuration. Dimensions are shown in inches (centimeters) unless otherwise noted.



Notes

- 1 See Configurations table for availability.
- 2 Lamp wattage and ballast wattage must match.
- 3 Available with FIB21 and FIB22 only.
- 4 Available with FIB21 only.

PRODUCT INFORMATION

FGB

SPEC-BEAM™



Shown with WG option

Intended Use
Ideal for use in retail, industrial, commercial, gymnasium and warehouse environments where up to a 400W fixture would be considered. Provides a wide variety of photometric distributions and lamp combinations, each designed specifically for applications ranging from large open areas to very tall and narrow spaces. **Certain airborne contaminants can diminish integrity of acrylic. Refer to Acrylic Environmental Compatibility tables on pages 794-795 for suitable uses.**

Construction
Channel, ends and socket brackets are manufactured

from 22-gauge cold-rolled steel. Riveted and screwed assembly. Tool-less ballast and wiring access. Optional heavy-gauge steel or all aluminum construction also are available.

Lamp shielding options are provided with a 22-gauge premium polyester powder coat finish door frame with two painted hinges and two painted opposing rotary cam latches. Lenses are held in place with lens clips.

Standard high-gloss white baked enamel, pre-treated with a 5-stage iron phosphate system. Optional premium polyester powder coat finish, utilizing a 7-stage pretreatment process of iron

phosphate, a non-chromium sealer and a de-ionized water rinse to provide superior adhesion and corrosion resistance.

Optics
Reflectors are precision-formed, high performance, 95% total reflectance, segmented optics utilizing premium specular aluminum warranted for 25 years.

Electrical
Ballasts are electronic, energy-saving, thermally protected, Class P, HPF, non-PCB, Sound Rating A, UL/CSA Certified where applicable and comply with Federal Ballast Law (Public Law 100-357, 1988). UL Listed wire, rated for required temperatures, used throughout.

Lamps are secured with rotary locking lampholders for ease of re-lamping and to minimize disconnection due to vibration or incidental contact. Factory-installed lamps are available in various CRI ratings, temperature colors and rated life.

Installation
May be suspended with aircraft cable, chain hangers or by monopoint hanger.

Listings
Luminaire is bi-national listed (UL 1598 and CSA C22.2 No. 250.0-00) and is suitable for damp locations up to 55°C (131°F).



ORDERING INFORMATION

Lead times will vary depending on options selected. Consult with your sales representative.

Example: FGB24 6 54T5HO T1X20 MVOLT 1/41/2 GEB10PS LP841

| Series | Number of lamps ¹ | Lamp type | Distribution/Reflector | Shielding ⁵ |
|--------|------------------------------|-----------------|--|--|
| FGB14 | 2 | 32 32W T8 | Distribution F1 Focus (0.9>SC) ^{2,3} | (blank) No shielding |
| FGB164 | 3 | 54T5HO 54W T5HO | Reflector X20 Specular aluminum | A12125 Pattern 12 acrylic, 0.125" |
| FGB24 | 4 6 | | T1 Task (0.9<1.2 SC) X20U Specular aluminum w/ uplight N1 Normal (1.2<1.4 SC) D20 White powder coat ⁴ S1 Spread (1.4<1.8 SC) D20U White powder coat w/ uplight ⁴ B1 Broad (1.8<SC) ³ | A12125WG Pattern 12 acrylic, 0.125" w/wireguard in door frame ACL Clear acrylic, 0.125" ACLWG Clear acrylic, 0.125" w/ wireguard in door frame PCL125 Clear polycarbonate, 0.125" PCL125WG Clear polycarbonate, 0.125" w/ wireguard in door frame NLWG No lens, wireguard in door frame |

| ▶ Voltage | Ballast configuration | Ballast | Lamp color | Options |
|------------------------|--|---|---------------------------------|--|
| MVOLT 120V-277V, 60 Hz | (blank) All 2-lamp ballasts ⁵ | ACRB Cool Running ^{2,6} | (blank) No lamps | OUTCTR Wiring leads pulled through back center of fixture ⁷ |
| HVOLT 347V-480V, 60 Hz | 1/3 One 3-lamp ballast | GEB10PS T5HO electronic ballast, ≤10% THD programmed rapid start | LP830 85 CRI, 3000°K, std. life | PAF Powder coat after fabrication |
| | 1/4 One 4-lamp ballast | GEB10IS T8 electronic ballast, ≤10% THD, instant start, normal BF | LP835 85 CRI, 3500°K, std. life | PAF AL Aluminum construction, powder coat |
| | 1/41/2 One 4-lamp and one 2-lamp ballast | GEB10ISH T8 electronic ballast, ≤10% THD, instant start, high BF | LP841 85 CRI, 4100°K, std. life | 20GA 20-gauge steel construction |
| | 2/3 Two 3-lamp ballasts | GEB10ISL T8 electronic ballast, ≤10% THD, instant start, low BF | LP850 85 CRI, 5000°K, std. life | TC Top cover panels ⁶ WG Wireguard, 11 ga., external mount |

ADDITIONAL INFORMATION

For additional product information, visit www.lithonia.com.

CONFIGURATIONS

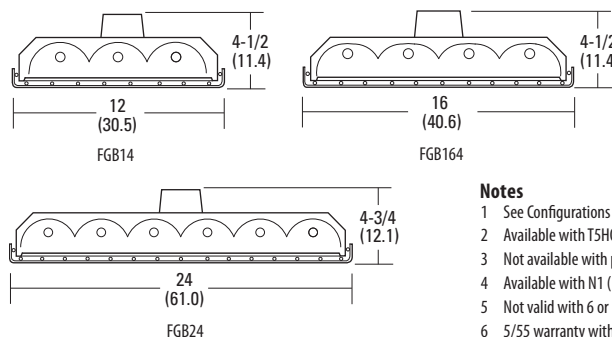
| SERIES | NUMBER OF LAMPS | WIDTH | HEIGHT | LENGTH |
|--------|-----------------|-----------|--------------|------------|
| FGB14 | 2 or 3 | 12 (30.5) | 4-1/2 (11.4) | 48 (121.9) |
| FGB164 | 4 | 16 (40.6) | 4-1/2 (11.4) | 48 (121.9) |
| FGB24 | 6 | 24 (61.0) | 4-3/4 (12.1) | 48 (121.9) |

ACCESSORIES

ORDER SEPARATELY

| | |
|-------------|--|
| IBAC120 M20 | 10' adjustable aircraft cable, 2-hook, Y hanger (one pair) |
| IBAC240 M20 | 20' adjustable aircraft cable, 2-hook, Y hanger (one pair) |
| HSD36 | 3' Jack chain with hanger (one pair) |
| THSD | monopoint hanger with 3/4" KO |
| THSDHB | monopoint hanger with 3/4" hub |
| THSDSK | Side covers for monopoint hanger (one pair) |

Drawings are for dimensional detail only and may not represent actual mechanical configuration. Dimensions are shown in inches (centimeters) unless otherwise noted.



Notes

- 1 See Configurations table for availability.
- 2 Available with T5HO lamps only.
- 3 Not available with prismatic lens option.
- 4 Available with N1 (normal distribution) only.
- 5 Not valid with 6 or more lamps in 4ft. fixtures.
- 6 5/55 warranty with open fixtures only.
- 7 Specify OUTCTR when monopoint hanger will be used.

FGB SPEC-BEAM™ HL



PRODUCT INFORMATION

Intended Use

Ideal for use in retail, industrial, commercial, gymnasium and warehouse environments where 400W-1000W fixtures would be considered. Provides a wide variety of photometric distributions and lamp combinations, each designed specifically for applications ranging from large open areas to very tall and narrow spaces. **Certain airborne contaminants can diminish integrity of acrylic. Refer to Acrylic Environmental Compatibility tables on pages 794-795 for suitable uses.**

Construction

Channel, ends and socket brackets are manufactured

from 22-gauge cold-rolled steel. Riveted and screwed assembly. Tool-less ballast and wiring access. Optional heavy-gauge steel or all aluminum construction also are available.

Lamp shielding options are provided with a 22-gauge premium polyester powder coat finish door frame with two painted hinges and two painted opposing rotary cam latches. Lenses are held in place with lens clips.

Standard high-gloss white baked enamel, pre-treated with a 5-stage iron phosphate system. Optional premium polyester powder coat finish, utilizing a 7-stage pretreatment process of iron

phosphate, a non-chromium sealer and a de-ionized water rinse to provide superior adhesion and corrosion resistance.

Optics

Reflectors are precision-formed, high performance, 95% total reflectance, segmented optics utilizing premium specular aluminum warranted for 25 years.

Electrical

Ballasts are electronic, energy-saving, thermally protected, Class P, HPF, non-PCB, Sound Rating A, UL/CSA Certified where applicable and comply with Federal Ballast Law (Public Law 100-357, 1988). UL Listed wire, rated for required temperatures, used throughout.

Lamps are secured with rotary locking lampholders for ease of re-lamping and to minimize disconnection due to vibration or incidental contact. Factory-installed lamps are available in various CRI ratings, temperature colors and rated life.

Installation

May be suspended with aircraft cable or chain hangers.

Listings

Luminaire is bi-national listed (UL 1598 and CSA C22.2 No. 250.0-00) and is suitable for damp locations up to 55°C (131°F).



ORDERING INFORMATION

Lead times will vary depending on options selected. Consult with your sales representative.

Example: FGB28 6 54T5HO T1X20 MVOLT 1/41/2 GEB10PS LP841

| Series | Number of lamps ^{1,6} | Lamp type | Distribution/Reflector | Shielding ⁵ |
|--------|--------------------------------|-----------------|----------------------------------|---|
| FGB324 | 4 | 32 32W T8 | Distribution | (blank) No shielding |
| FGB168 | 6 | 54T5HO 54W T5HO | Reflector | A12125 Pattern 12 acrylic, 0.125" |
| FGB28 | 8 | | F1 Focus (0.9<SC) ^{2,3} | A12125WG Pattern 12 acrylic, 0.125" w/wireguard in door frame |
| | 10 | | T1 Task (0.9<1.2 SC) | ACL Clear acrylic, 0.125" |
| | | | N1 Normal (1.2<1.4 SC) | ACLWG Clear acrylic, 0.125" w/ wireguard in door frame |
| | | | S1 Spread (1.4<1.8 SC) | PCL125 Clear polycarbonate, 0.125" |
| | | | B1 Broad (1.8<SC) ³ | PCL125WG Clear polycarbonate, 0.125" w/ wireguard in door frame |
| | | | | NLWG No lens, wireguard in door frame |

| Voltage | Ballast configuration | Ballast | Lamps color | Options |
|------------------------|---|---|---------------------------------|---|
| MVOLT 120V-277V, 60 Hz | 1/41/2 One 4-lamp and one 2-lamp ballast | ACRB Cool Running ^{2,5} | (blank) No lamps | OUTCTR Wiring leads pulled through back center of fixture |
| HVOLT 347V-480V, 60 Hz | 2/3 Two 3-lamp ballasts | GEB10PS T5HO electronic ballast, ≤10% THD programmed rapid start | LP830 85 CRI, 3000°K, std. life | PAF Powder coat after fabrication |
| | 2/4 Two 4-lamp ballasts | GEB10IS T8 electronic ballast, ≤10% THD, instant start, normal BF | LP835 85 CRI, 3500°K, std. life | PAF AL Aluminum construction, powder coat |
| | 2/41/2 Two 4-lamp and one 2-lamp ballasts | GEB10ISH T8 electronic ballast, ≤10% THD, instant start, high BF | LP841 85 CRI, 4100°K, std. life | 20GA 20-gauge steel construction |
| | 3/4 Three 4-lamp ballasts | GEB10ISL T8 electronic ballast, ≤10% THD, instant start, low BF | LP850 85 CRI, 5000°K, std. life | TC Top cover panels ⁵ |
| | | | | WG Wireguard, 11 ga., external mount |

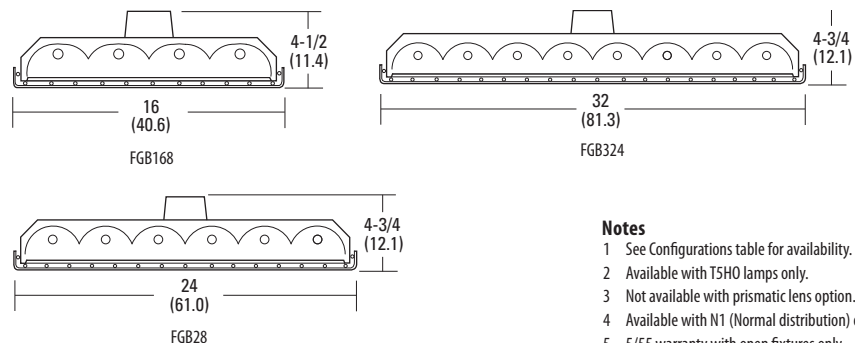
ADDITIONAL INFORMATION

For additional product information, visit www.lithonia.com.

| CONFIGURATIONS | | | | |
|----------------|------------------------------|-----------|--------------|------------|
| SERIES | NUMBER OF LAMPS ⁶ | WIDTH | HEIGHT | LENGTH |
| FGB324 | 8 or 10 | 32 (81.3) | 4-3/4 (12.1) | 48 (121.9) |
| FGB168 | 4 | 16 (40.6) | 4-1/2 (11.4) | 96 (243.8) |
| FGB28 | 6 | 24 (61.0) | 4-3/4 (12.1) | 96 (243.8) |

| ACCESSORIES | |
|------------------|--|
| ORDER SEPARATELY | |
| IBAC120 | 10' adjustable aircraft cable, 2-hook, Y hanger (one pair) |
| IBAC240 | 20' adjustable aircraft cable, 2-hook, Y hanger (one pair) |
| HSD36 | 3' jack chain with hanger (one pair) |

Drawings are for dimensional detail only and may not represent actual mechanical configuration. Dimensions are shown in inches (centimeters) unless otherwise noted.



Notes

- 1 See Configurations table for availability.
- 2 Available with T5HO lamps only.
- 3 Not available with prismatic lens option.
- 4 Available with N1 (Normal distribution) only.
- 5 5/55 warranty with open fixtures only.
- 6 Number of lamps per 4' section.

PRODUCT INFORMATION

MS5HB MS8



Intended Use
Intended for use in retail stores, warehouses and manufacturing applications where high lumen package in a compact fixture is required. Recommended for mounting heights up to 30'. **Certain airborne contaminants can diminish integrity of acrylic. Refer to Acrylic Environmental Compatibility tables on pages 794-795 for suitable uses.**

Construction
Channel and louvers are formed from cold-rolled, 20-gauge steel. Designed for simple servicing, louver assembly hinges remain attached and hinge down

providing easy access into the optical system. Convenient access plate located on the back of the the channel for easy access to wiring components.

Finish: High-gloss, baked white enamel finish. Five-stage, iron phosphate pretreatment ensures superior paint adhesion and rust resistance.

Optics
The Narrow Distribution (ND) includes a parabolic reflector system to provide high vertical and good horizontal illumination for aisle or rack lighting. The wide distribution (WD) is ideal for general area lighting at higher mounting

heights or where widespread distribution is preferred. Both distributions are available with white straight blade louver for additional shielding and brightness control. Uplight component softens ceiling appearance to reduce the "cave effect."

Electrical
Thermally protected, resetting, Class P, HPF, Non PCB, UL Listed, and Canadian Certified. A+ sound rated electronic ballast. AWN TFN or THHN wire used through-out, rated for required temperatures.

Sockets feature rotating collars and enclosed contacts.

Installation
A variety of mounting arrangements are available including tong hangers, aircraft cables and stems. Suitable for mounting in continuous row or individual mounting. End caps include knockouts for through wiring and fixture attachment in row mounting applications.

Listings
UL Listed. CSA optional; (consult factory).

Warranty: Guaranteed for one year against mechanical defects in manufacturing.

ORDERING INFORMATION For shortest lead times, configure products using **bolded options**.

Example: MS5HB 3 54T5HO SBL ND MVOLT 1/41/2 GEB10PS

| Series | Number of lamps ^{5,6} | Lamp type ⁵ | Reflector | Distribution ▶▶▶ |
|----------------|---------------------------------------|------------------------|------------------------------|--|
| MS5HB | T5 low-profile direct/indirect | 2 | 32 32W T8 (48") | (blank) No louver ND Narrow |
| MS5HBST | T5 low-profile solid top ¹ | 3 | 54T5HO 54W T5HO (46") | SBL White straight blade louver assembly WD Wide |
| MS8 | T8 low-profile direct/indirect | Not included | | |
| MS8ST | T8 low-profile solid top | | | |

For tandem double-length unit, add prefix T. Example: TMS5HB

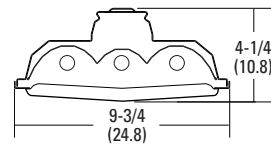
| ▶ Voltage | Ballast configuration | Ballast | Options |
|--------------|--|--|--|
| MVOLT | (blank) All 2-lamp ballasts ² | GEB10PS T5HO electronic ballast, ≤10% THD, programmed rapid start | GLR Internal fast blow fuse ³ |
| 347 | 1/3 One 3-lamp ballast | GEB10IS T8 electronic ballast, ≤10% THD, instant-start | GMF Internal slow blow fuse ³ |
| 480 | 1/4 One 4-lamp ballast | | EL55 T5 emergency battery pack (nominal 390-700 lumens) ⁴ |
| | 1/41/2 One 4-lamp ballast and one 2-lamp ballast | | CSA Meets Canadian standards |
| | 2/3 Two 3-lamp ballasts | | MSI Occupancy sensor pre-wired ^{3,7} |

ADDITIONAL INFORMATION For additional product information, visit www.lithonia.com.

CONFIGURATIONS

| SERIES | NUMBER OF LAMPS ⁶ | LAMPS PER FIXTURE | LAMP TYPE | WIDTH | DEPTH | LENGTH |
|----------|------------------------------|-------------------|-----------|--------------|--------------|----------------|
| MS5HB | 2, 3 | 2, 3 | 54T5HO | 9-3/4 (24.8) | 4-1/4 (10.8) | 46-1/8 (117.2) |
| TMS5HB | 2, 3 | 4, 6 | 54T5HO | 9-3/4 (24.8) | 4-1/4 (10.8) | 92-1/8 (234.0) |
| MS5HBST | 2 | 2 | 54T5HO | 9-3/4 (24.8) | 4-1/4 (10.8) | 46-1/8 (117.2) |
| TMS5HBST | 2 | 4 | 54T5HO | 9-3/4 (24.8) | 4-1/4 (10.8) | 92-1/8 (234.0) |
| MS8 | 2, 3 | 2, 3 | 32 | 9-3/4 (24.8) | 4-1/4 (10.8) | 48 (121.8) |
| TMS8 | 2, 3 | 4, 6 | 32 | 9-3/4 (24.8) | 4-1/4 (10.8) | 96 (243.8) |

Drawings are for dimensional detail only and may not represent actual mechanical configuration. Dimensions are shown in inches (centimeters) unless otherwise noted.



ACCESSORIES

ORDER SEPARATELY

| | |
|----------|--|
| MSHBAC | Adjustable aircraft cable support (non-feed), (specify length as 36, 72 or 120 inches) |
| MSHBACF | Aircraft cable feed and support, (specify length as 36, 72 or 120 inches) |
| THMS5HB | Tong hanger |
| SQ | Swivel stem hanger (specify length in 2" increments) |
| HC36 | Chain hanger, 36" |
| WGMS5HBZ | 4' wire guard for MS5HB, zinc coated. (two required for 8' lengths) |
| WGMS8Z | 4' wire guard for MS8, zinc coated. (two required for 8' lengths) |

Notes

- 1 Available in 2-lamp only.
- 2 Odd lamp configurations will include a 2 lamp ballast.
- 3 Specify voltage.
- 4 3-lamp 4' fixtures require 1/3 ballast.
- 5 See Configurations table for availability.
- 6 Number of lamps per 4' section.
- 7 Use of programmed rapid start ballast recommended to avoid shortened lamp life.

FOB



Intended Use

Ideal for use in applications that require additional rigidity and a full body design. Provides significant energy savings, improved color recognition and longer maintenance cycles over standard metal halide systems. May be mounted at heights of 15' to 40' and is available with a variety of photometric options. **Certain airborne contaminants can diminish integrity of acrylic. Refer to Acrylic Environmental Compatibility tables on pages 794-795 for suitable uses.**

Construction

Channel, ends and socket brackets are manufactured from 22-gauge cold-rolled

steel. Riveted and screwed assembly. Tool-less ballast and wiring access. Optional heavy-gauge steel or all-aluminum construction are also available.

Lamp shielding options are provided with a 22-gauge premium polyester powder coat finish door frame with two painted hinges and two painted opposing rotary cam latches. Lenses are held in place with lens clips. Optional double gasketing around door frame and lens is available.

Finished in premium polyester powder coat finish, utilizing a seven-stage pretreatment process of iron phosphate, a non-chromium sealer and

a de-ionized water rinse to provide superior adhesion and corrosion resistance.

Optics

Reflectors are precision-formed, high-performance, 95% total reflectance, segmented optics utilizing premium specular aluminum warranted for 25 years.

Electrical

Ballasts are electronic, energy-saving, thermally protected, Class P, HPF, non-PCB, Sound Rating A, UL/CSA certified where applicable and comply with Federal Ballast Law (Public Law 100-357, 1988). UL listed wire, rated for required temperatures, used throughout.

Lamps are secured with rotary locking lampholders for ease of re-lamping and to minimize disconnection due to vibration or incidental contact. Factory-installed lamps are available in various CRI ratings, temperature colors and rated life.

Installation

May be offset mounted to a hard ceiling or may be suspended with aircraft cable, chain hangers or by monopoint hanger.

Listings

Luminaire is bi-national listed (UL 1598 and CSA C22.2 No. 250.0-00) and is suitable for damp locations from 0° C (32° F) to 30° C (85° F). Certified to meet Splash Zone 1.



ORDERING INFORMATION

For shortest lead times, configure products using **bolded options**.

Example: FOB164 4 54T5HO T1X20 ACL MVOLT 1/4 GEB10PS LP841

| Series | Number of lamps ¹ | Lamp type | Distribution/Reflector | Shielding | Voltage |
|----------------------|------------------------------|------------------------------|------------------------------------|------------------------------------|---------------------------------|
| 4 ft fixtures | 2 2-lamp profile | 32 32W T8 (48") | Distribution | (blank) No shielding | MVOLT 120V - 277V, 60 Hz |
| FOB14 1'x4' | 3 3-lamp profile | 54T5HO 54W T5HO (46") | Reflector | A12125 Pattern 12 acrylic, 0.125" | HVOLT 347V - 480V, 60 Hz |
| FOB164 16"x4' | 4 4-lamp profile | | F1 Focus (0.9<SC) ^{2,3,4} | ACL Clear acrylic, 0.125" | |
| FOB24 2'x4' | 6 6-lamp profile | | T1 Task (0.9<1.2 SC) | PCL125 Clear polycarbonate, 0.125" | |
| 8 ft fixtures | | | N1 Normal (1.2<1.4 SC) | | |
| FOB18 1'x8' | | | S1 Spread (1.4<1.8 SC) | | |
| FOB168 16"x8' | | | B1 Broad (1.8<SC) ^{3,4} | | |
| FOB28 2'x8' | | | | | |

| Ballast configuration | Ballast | Lamp color | Options |
|---|---|---------------------------------------|--|
| (blank) All 2-lamp ballasts ⁶ | GEB10IS T8 electronic ballast, ≤10% THD, instant start, normal BF | (blank) No lamps | OUTCTR Wiring leads pulled through back center of fixture ⁷ |
| 1/3 One 3-lamp ballast | GEB10ISH T8 electronic ballast, ≤10% THD, instant start, high BF | LP830 85 CRI, 3000K, std. life | AB Double-gasketing |
| 1/4 One 4-lamp ballast | GEB10ISL T8 electronic ballast, ≤10% THD, instant start, low BF | LP835 85 CRI, 3500K, std. life | 20GA 20-gauge steel construction |
| 1/41/2 One 4-lamp & one 2-lamp ballast | GEB10PS90 T5HO 90° electronic ballast, ≤10% THD, programmed rapid start | LP841 85 CRI, 4100K, std. life | AL Aluminum construction |
| 2/3 Two 3-lamp ballasts | | LP850 85 CRI, 5000K, std. life | WG Wireguard, 11 ga., external mounting |
| 2/4 Two 4-lamp ballasts | | | |
| 3/4 Three 4-lamp ballasts | | | |

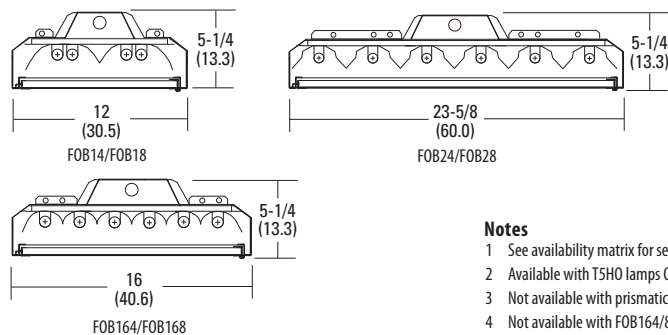
ADDITIONAL INFORMATION

For additional product information, visit www.lithonia.com.

| CONFIGURATIONS | | | | |
|-----------------|-----------------|---------------|--------------|-------------------------|
| SERIES | NUMBER OF LAMPS | WIDTH | HEIGHT | LENGTH |
| FOB14 / FOB18 | 2, 3 | 12 (30.5) | 5-1/4 (13.3) | 48 (121.9) / 96 (243.8) |
| FOB164 / FOB168 | 4 | 16 (40.6) | 5-1/4 (13.3) | 48 (121.9) / 96 (243.8) |
| FOB24 / FOB28 | 6 | 23-5/8 (60.0) | 5-1/4 (13.3) | 48 (121.9) / 96 (243.8) |

| ACCESSORIES | |
|------------------|--|
| ORDER SEPARATELY | |
| IBAC120 M20 | 10' adjustable aircraft cable, 2-hook Y hanger (one pair) |
| IBAC240 M20 | 20' adjustable aircraft cable, 2-hook Y hanger (one pair) |
| MHYTGB10 | 10' adjustable aircraft cable, 2-toggle Y hanger (one pair) |
| HBBS36 | 3' jack chain with hanger (one pair) |
| THSDZ3HB | Monopoint hanger, 3/4" hub (for 12" fixture - 4' only) |
| THSDZ4HB | Monopoint hanger, 3/4" hub (for 16" & 24" fixtures - 4' only) |
| THSDZ3SK | Side covers for monopoint hanger (for 12" fixture - 4' only) |
| THSDZ4SK | Side covers for monopoint hanger (for 16" & 24" fixture - 4' only) |
| ALP MHRMKN | Rigid-mount bracket (for 12" fixture) |
| ALP MHRMK | Rigid-mount bracket (for 16" and 24" fixtures) |

Drawings are for dimensional detail only and may not represent actual mechanical configuration. Dimensions are shown in inches (centimeters) unless otherwise noted.



Notes

- 1 See availability matrix for series and lamp configurations.
- 2 Available with T5HO lamps ONLY.
- 3 Not available with prismatic lens option.
- 4 Not available with FOB164/8 (6L) or FOB24/8 (8L).
- 5 Available with N1 (normal) distribution only.
- 6 Not available in 4ft fixtures with six or more lamps.
- 7 Specify OUTCTR when monopoint hanger will be used.

PRODUCT INFORMATION

FAL



Intended Use
 FAL provides peak optical performance with maximum fixture efficiency for aisle lighting in industrial, commercial and retail applications. The unique COOL RUNNING™ technology provides trouble-free operation in ambient spaces up to 65°C. T5 is ideal for mounting heights up to 50', T8 for mounting heights up to 35' in climate-controlled spaces. Using high performance optics will reduce the number of fixtures required and maximize energy savings. **Certain airborne contaminants can diminish integrity of acrylic. Refer to Acrylic**

Environmental Compatibility tables on pages 794-795 for suitable uses.
Construction
 Heavy-duty code-grade steel construction to withstand the most demanding environments. Optical system fully encased inside the steel housing to protect components during shipment and installation. Sockets include secure positioning rotating collars with enclosed contacts for positive lamp retention and safety. Access plate on the back of the channel housing allows quick and easy wiring. Tool-less ballast and wiring access.

Fixtures are joined together in the field with rigid internal brackets using eight screws. All assemblies require two support points (see accessories).
 Finish: Channel is high-gloss, white baked enamel; five-stage iron phosphate pretreatment ensures superior paint adhesion and rust resistance.
Optics
 Optical system provides focused distribution with no uplight and spacing criteria of 0.9. Reflectors are high-performance, 95% total reflectance, segmented optics utilizing highly

reflective specular aluminum warranted for 25 years.
Electrical
 Thermally protected, resetting Class P, HPF, A+ sound rated electronic ballast. AWN, TFM or THHN wire used throughout. Rated for required temperatures.
Installation
 Suitable for suspension by chain or cable mounting. (One support recommended for each 4' of fixture).
Listings
 UL Listed to US and Canadian safety standards. Suitable for damp locations.



Example: FAL 54L

ORDERING INFORMATION For shortest lead times, configure products using **bolded options**.

| Series | Lamp type | Distribution | Voltage | Ballast configuration |
|--|--|--|-----------------------------------|--|
| FAL Aisle lighter, 8' | Lamps installed ¹ | (blank) Focus distribution no uplight, SC < 0.9 | (blank) MVOLT ² | (blank) Standard configuration (see table) |
| FAL12 Aisle lighter, 12' | 54L 54W T5HO | | 347 347V | 1/4 One 4-lamp ballast |
| FAL16 Aisle lighter, 16' | 32L 32W T8 <u>Unlamped</u> 54 54W T5HO 32 32W T8 | | 480 480V ³ | 2/2 Two 2-lamp ballasts |
| Ballast | | Lamp color | Options | |
| (blank) T5HO electronic ballast, ≤10% THD, programmed rapid start | | <u>T5HO</u> | LP830A F54T5HO/830 | EL14 Emergency battery pack (1400 lumens) ⁴ |
| (blank) T8 electronic ballast, ≤10% THD, instant start, high BF | | (blank) F54T5HO/841 | LP835A F54T5HO/835 | GLR Internal fast blow fuse ⁵ |
| GEB10IS T8 electronic ballast, ≤10% THD, instant start, normal BF | | LP830 F54T5HO/830 | <u>T8</u> | OCS OnePass® installed ⁵ |
| | | LP835 F54T5HO/835 | (blank) F32T8/741 | PAF Powder coat after fabrication |
| | | LP850 F54T5HO/850 | LP730 F32T8/730 | WGI Wireguard, 11 gauge, PAF |
| | | <u>T5HO Amalgam⁶</u> | LP735 F32T8/735 | MSI Occupancy sensor pre-wired ⁵ |
| | | LP841A F54T5HO/841 | | |

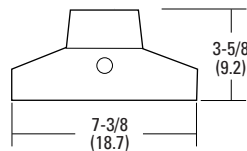
ADDITIONAL INFORMATION For additional product information, visit www.lithonia.com.

| CONFIGURATIONS | | | |
|--------------------------|--------|-----------------------|-----------------|
| NOMINAL SIZE | SERIES | FIXTURE CONFIGURATION | NUMBER OF LAMPS |
| 7.2 x 8' (18.3 x 243.8) | FAL | 8' section | 2 |
| 7.2 x 12' (18.3 x 365.8) | FAL12 | 4' + 8' section | 3 |
| 7.2 x 16' (18.3 x 487.7) | FAL16 | Two 8' sections | 4 |

| STANDARD BALLAST CONFIGURATIONS | | | |
|---------------------------------|--------------------|--------------------|---------------------|
| LAMP TYPE | 8' | 12' | 16' |
| T5HO | One 2-lamp ballast | One 3-lamp ballast | One 4-lamp ballast |
| T8 (0.88 BF) | One 2-lamp ballast | One 3-lamp ballast | One 4-lamp ballast |
| T8 (1.2 BF) | One 2-lamp ballast | One 3-lamp ballast | Two 2-lamp ballasts |

| ACCESSORIES | |
|------------------|--|
| ORDER SEPARATELY | |
| IBAC120 M20 | Aircraft cable 10' Y hanger (one pair) |
| IBAC240 M20 | Aircraft cable 20' Y hanger (one pair) |
| HSD36 | Chain hanger, 36" |
| WGFAL | Wireguard, 43" ¹⁶ |

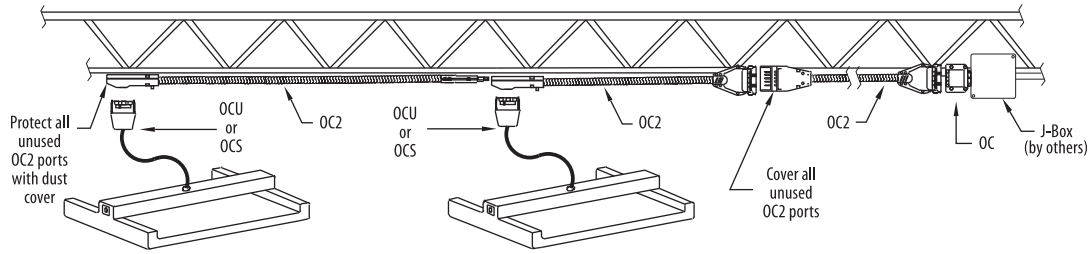
Drawings are for dimensional detail only and may not represent actual mechanical configuration. Dimensions are shown in inches (centimeters) unless otherwise noted.



Notes

- 1 Unless otherwise specified, lamps installed are F54T5HO/841 for T5HO or F32T8/741 for T8.
- 2 120-277V.
- 3 For use with T5HO. Consult factory for use with T8.
- 4 UL Listed for 40° C ambient. Consult factory for 6-lamp fixtures. Output in emergency mode varies with ambient temperature (approximately 944 lumens at 25°C and 911 lumens at 45°C. Single-lamp operation only. Not available with HVOLT. Requires some assembly in field for 6-lamp fixture.
- 5 Specify voltage.
- 6 Not for use with sensors or EL14.

| RELOC [®] SYSTEM | FIXTURE WIRING OPTION | (A) 120V, 277V, 347V | (B) 208V, 240V, 480V | STANDARD WIRING INSTRUCTIONS NOTE: CONSULT FACTORY WHEN BATTERY PACKS REQUIRE RELOC [®] WIRING OPTIONS. |
|---------------------------|-----------------------|-------------------------|--|--|
| ONEPASS [®] | OCSor OCUTAP1 | ■ | | (A) One ballast requires hot 1 - OCS for voltage includes one selector switch; 1 neutral standard for OCS and OCU |
| | OCSor OCUTAP2 | ■ | | A) One ballast requires hot 2 - OCS for voltage includes one selector switch; 1 neutral standard for OCS and OCU |
| | OCSor OCUTAP3 | ■ | | (A) One ballast requires hot 3 - OCS for voltage includes one selector switch; 1 neutral standard for OCS and OCU |
| | OCS | | ■ | (B) One ballast requires hots 1 & 2 - OCS for voltages include two selector switches; neutral not required |
| | OCS | | ■ | B) One ballast requires hots 1 & 3 - OCS for voltages include two selector switches; neutral not required |
| | OCS | | ■ | (B) One ballast requires hots 2 & 3 - OCS for voltages include two selector switches; neutral not required |
| | OCUTAP12 | ■ | ■ | (A) Two ballast requires individual hots 1 & 2 and 1 neutral; one ballast requires hot 1 battery pack hot 2 and 1 neutral (B) One ballast requires hots 1 & 2; neutral not required |
| | OCUTAP34 | | ■ | (B) One ballast requires hots 3 & 4; neutral not required |
| | OCUTAP13 | ■ | | (A) One ballast that requires hot 1 and battery pack requires unswitched hot 3 and neutral 1 |
| | OCUTAP23 | ■ | | (A) One ballast that requires hot 2 and battery pack requires an unswitched hot 3 and neutral 1 |
| | OCUTAP22N | ■ | | (A) One ballast requires hot 2 and neutral 2 only |
| OCUTAP122N | ■ | | (A) Two ballast: One ballast requires hot 1 and neutral 1 while the other ballast requires hot 2 and neutral 2 | |



| OPTION TYPE | NOMENCLATURE | DESCRIPTION | IB | IBC | FSB | FAL | MSSH/B | MSB | DMW | DMS/DMSW | EIS/EFS | EFT | WRT | SRT | SRH | SSH | STP | VSL/NSLC | WW/WWC | VRS | VRT | VRI | VDC/VDS | | |
|---|------------------------|---|----------------|-----|----------------|----------------|------------------|------------------|-----|----------|---------|-----|-----|-----|-----|-----|-----|----------|--------|-----|-----|-----|---------|---|--|
| CORD SET OPTIONS | CS1 | NEMA 5-15P 120V molded plug, black cord 18/3 6' standard | ■ | ■ | ■ | ■ | ■ | | | | | | | | | | | | | | | | | | |
| | CS3 | NEMA L5-15P twist-lock 125V, black cord 18/3 6' standard | ■ | ■ | ■ | ■ | ■ | | | | | | | | | | | | | | | | | | |
| | CS7 | NEMA 7-15P 277V molded plug, black cord, 18/3 6' standard | ■ | ■ | ■ | ■ | ■ | | | | | | | | | | | | | | | | | | |
| | CS11 | NEMA L7-15P twist-lock 277V, black cord, 18/3 6' standard | ■ | ■ | ■ | ■ | ■ | | | | | | | | | | | | | | | | | | |
| | CS25 | NEMA L24-20P twist-lock 347V, black cord, 18/3 6' standard | ■ | ■ | ■ | ■ | ■ | | | | | | | | | | | | | | | | | | |
| | CS88 | Brad Harrison 16/3 cord and plug 5' | | | | | | | | | | | ■ | | | | | | | | | | | | |
| | CS93 | NEMA type S0, 600V, white, no plug, 18/3, 6' standard | ■ | ■ | ■ | ■ | ■ | | | | | | | | | | | | | | | | | | |
| | CS97 | NEMA L8-20P, twist-lock 480V, black cord, 18/3, 6' standard | ■ | ■ | ■ | ■ | ■ | | | | | | | | | | | | | | | | | | |
| RELOC/POWER WIRING (Refer to table above.) | LST/LST7/LST11 | Labor-saving tandem | | | | | | | | | | | | ■ | ■ | ■ | | | | | | ■ | | | |
| | OCS | OnePass [®] RELOC [®] wiring | ■ | ■ | ■ | ■ | ■ | | | | | | | | | | | | | | | | | | |
| | OUTCTR | Wiring out center of fixture | | | ■ | | | | | | | | | | | | | | | | | | | | |
| | PLF | Plug-in system square | | | | | | | ■ | | | | | | | | | | | | | | | | |
| | PLR | Plug-in system round | | | | | | | ■ | | | | | | | | | | | | | | | | |
| | PWS | Prewire 1/8" | ■ | ■ | ■ | | ■ | | | | | | | ■ | ■ | | | | | | | | ■ | | |
| | TILW | Tandem in-line wiring | | | | | | | | | | | | | | | | | | | | | | | |
| TILWP | Tandem in-line plug-in | | | | | | ■ ^{1,3} | ■ ^{1,3} | | | | | | | | | | | | | | | | | |
| T8 LAMPS | LP730 | Min. 70 CRI and 3000K color temp. | ■ | | ■ | ■ | ■ | | | | | | | | | | | | | | | | | | |
| | LP735 | Min. 70 CRI and 3500K color temp. | ■ | | ■ | ■ | ■ | | | | | | | | | | | | | | | | | | |
| | LP741 | Min. 70 CRI and 4100K color temp. | ■ | | ■ | ■ | ■ | | | | | | | | | | | | | | | | | | |
| T5 LAMPS | LP830 | Min. 80 CRI and 3000K color temp. | ■ | ■ | ■ | ■ | ■ | | | | | | | | | | | | | | | | | | |
| | LP835 | Min. 80 CRI and 3500K color temp. | ■ | ■ | ■ | ■ | ■ | | | | | | | | | | | | | | | | | | |
| | LP841 | Min. 80 CRI and 4100K color temp. | ■ | ■ | ■ | ■ | ■ | | | | | | | | | | | | | | | | | | |
| T5 AMALGAM | LP850 | Min. 80 CRI and 5000K color temp. | ■ | ■ | ■ | ■ | ■ | | | | | | | | | | | | | | | | | | |
| | LP835A | Min. 80 CRI and 3000K color temp. | ■ ² | ■ | ■ ² | ■ ² | ■ ² | | | | | | | | | | | | | | | | | | |
| BALLAST CONFIGURATIONS | 1/2 | One 2-lamp ballast | | | ■ | ■ | ■ | | | ■ | ■ | | ■ | | | | | ■ | | | | ■ | | | |
| | 1/3 | One 3-lamp ballast | | | ■ | ■ | ■ | | ■ | ■ | ■ | | ■ | ■ | ■ | ■ | ■ | | ■ | | ■ | ■ | ■ | ■ | |
| | 1/4 | One 4-lamp ballast | ■ | | ■ | ■ | ■ | | ■ | ■ | ■ | ■ | ■ | ■ | ■ | ■ | ■ | | ■ | | ■ | ■ | ■ | ■ | |
| | 1/41/2 | One 4-lamp and one 2-lamp ballast | ■ | | ■ | ■ | ■ | | ■ | ■ | ■ | ■ | ■ | ■ | ■ | ■ | ■ | | ■ | | ■ | ■ | ■ | ■ | |
| | 2/2 | Two 2-lamp ballasts | ■ | ■ | ■ | ■ | ■ | | ■ | ■ | ■ | ■ | ■ | ■ | ■ | ■ | ■ | | ■ | | ■ | ■ | ■ | ■ | |
| | 2/3 | Two 3-lamp ballasts | ■ | | ■ | ■ | ■ | | ■ | ■ | ■ | ■ | ■ | ■ | ■ | ■ | ■ | | ■ | | ■ | ■ | ■ | ■ | |
| | 3/2 | Three two-lamp ballasts | | | ■ | ■ | ■ | | ■ | ■ | ■ | ■ | ■ | ■ | ■ | ■ | ■ | | ■ | | ■ | ■ | ■ | ■ | |

Notes
For footnotes, refer to page 109.

PRODUCT INFORMATION

| OPTION TYPE | NOM. | DESCRIPTION | IB | IBC | FSB | FAL | MSSHBB | MSB | DMW | DMS/DMSW | EIS/EFS | EFT | WRT | SRT | SRH | SSH | STP | VSL/VSLC | VW/WVC | VRS | VRT | VRI | VDC/VDS |
|----------------------------|--|---|--|----------------|----------------|-----|--------|-----|----------------|----------------|-----------------|-----------------|-----|-----|-----|-----|-----|----------|--------|-----|-----|-----|---------|
| BALLAST | GEB | Generic electronic ballast | | | | | | | | | | | | | | | | | | | | | |
| | GEB10IS | Instant start generic electronic ballast ≤ 10%THD | ■ | ■ | ■ | ■ | | ■ | ■ | ■ | ■ | ■ | ■ | ■ | ■ | ■ | ■ | ■ | ■ | ■ | ■ | ■ | ■ |
| | GEB10RS | Rapid start generic electronic ballast ≤ 10%THD | ■ | ■ | ■ | ■ | | ■ | ■ | ■ | ■ | ■ | ■ | ■ | ■ | ■ | ■ | ■ | ■ | ■ | ■ | ■ | ■ |
| | GEB10PS | Program start generic electronic ballast ≤ 10%THD | ■ | ■ | ■ | ■ | | ■ | ■ | ■ | ■ | ■ | ■ | ■ | ■ | ■ | ■ | ■ | ■ | ■ | ■ | ■ | ■ |
| | GEB10PS90 | Program start generic electronic ballast ≤ 10%THD 90° case temp. | ■ | ■ | ■ | ■ | | ■ | ■ | ■ | ■ | ■ ² | ■ | ■ | ■ | ■ | ■ | ■ | ■ | ■ | ■ | ■ | ■ |
| | ACNS90 | Advance Centium program start electronic ballast ≤ 10%THD 90° case temp. | | | | | | ■ | ■ | ■ | ■ | ■ ² | ■ | ■ | ■ | ■ | ■ | ■ | ■ | ■ | ■ | ■ | ■ |
| | ADZT | Advance Mark 7; dimming range, 5-100%; low voltage control, circuit (0-10); RZT/VZT. Dimming N/A with LST. | ■ ¹ | | | | | ■ | ■ | ■ | ■ | ■ | ■ | ■ | ■ | ■ | ■ | ■ | ■ | ■ | ■ | ■ | ■ |
| | ADEZ | Advance Mark 7; dimming range, 5-100%; phase control circuit; RZT/VZT. Dimming, N/A with LST. | ■ ² | ■ ³ | ■ ² | | | ■ | ■ | ■ | ■ | ■ | ■ | ■ | ■ | ■ | ■ | ■ | ■ | ■ | ■ | ■ | ■ |
| | GEUS90 | GE; ultrastart, high efficiency, e.g. GE-254-MV-PS-90, MVOLT. GEUS type ballast for F54T5HO. Suitable for higher ambient temp. | ■ | ■ | ■ | | | ■ | ■ | ■ | ■ | ■ | ■ | ■ | ■ | ■ | ■ | ■ | ■ | ■ | ■ | ■ | ■ |
| | OSPS | Osram QTP (professional) electronic program-start, < 10THD, normal, ≤ 10% | ■ ² | | ■ ² | | | ■ | ■ | ■ | ■ | ■ | ■ | ■ | ■ | ■ | ■ | ■ | ■ | ■ | ■ | ■ | ■ |
| | ES | Energy-saving, magnetic ballast | | | | | | | ■ | ■ | ■ ⁷ | ■ | ■ | ■ | ■ | ■ | ■ | ■ | ■ | ■ | ■ | ■ | ■ |
| | HANGING/ MOUNTING | CW ²² | Cold weather ballast; 0°F starting for RS slimline lamps and some T8 lamps | | | | | | | ■ | ■ | ■ | ■ | ■ | ■ | ■ | ■ | ■ | ■ | ■ | ■ | ■ | ■ |
| CW20 ²² | | Cold weather ballast; -20°F starting for HO and PG lamps | | | | | | | ■ | ■ | ■ ¹⁰ | ■ ¹⁰ | ■ | ■ | ■ | ■ | ■ | ■ | ■ | ■ | ■ | ■ | |
| 1B | | Ceiling space | | | | | | | | ■ | | | | | | | | | | | | | |
| BCD | | Mounting bracket to chain hang DMW(two per package,excludes chain) | | | | | | | ■ | | | | | | | | | | | | | | |
| CRE | | Continous row mounting (end) | | | | | ■ | ■ | | | | | | | ■ | | | | | | | | |
| CRM | | Continous row mounting (middle) | | | | | ■ | ■ | | | | | | | ■ | | | | | | | | |
| HC36 | | Chain hanger with 36" chain | ■ | ■ | | | ■ | ■ | ■ ⁵ | ■ ⁵ | | | | | | | | | | | | | |
| HSD36 | | Chain hanger with 36" chain | | | ■ | ■ | ■ | ■ | | | | | | | | | | | | | | | |
| IBAC120 | | Aircraft cable 10' Y hanger | ■ | ■ | ■ | ■ | | | | | | | | | | | | | | | | | |
| IBAC240 | | Aircraft cable 20' Y hanger | ■ | ■ | ■ | ■ | | | | | | | | | | | | | | | | | |
| IBHMP | | I-BEAM® hook monopoint | ■ | ■ | | | | | | | | | | | | | | | | | | | |
| IBPMP | | I-BEAM® pendant monopoint | ■ ³ | ■ ³ | | | | | | | | | | | | | | | | | | | |
| MSSHBC | | Adjustable aircraft cable support (non-feed) | | | | | ■ | ■ | | | | | | | | | | | | | | | |
| MSSHBCF | | Adjustable aircraft cable feed and support | | | | | ■ | ■ | | | | | | | | | | | | | | | |
| SQ | | Swivel stem hanger | | | | | ■ | ■ | | ■ ⁶ | | | | | | | | | | | | | |
| THMS5HB | | Tong hanger for MSSHBB | | | | | ■ | ■ | | | | | | | | | | | | | | | |
| THSD | | Monopoint hanger w/ top opening | | | ■ | | | | | | | | | | | | | | | | | | |
| THSDHB | | Monopoint hanger with 3/4" hub | | | ■ | | | | | | | | | | | | | | | | | | |
| THSDSK | Side covers for monopoint hanger | | | ■ | | | | | | | | | | | | | | | | | | | |
| THUN | Tong hanger | ■ ⁴ | | | | | | | | | | | | | | | | | | | | | |
| MOTION SENSORS | MSI | Occupancy sensor pre-wired | ■ | ■ | ■ | ■ | ■ | ■ | | | | | | | | | | | | | | | |
| FUSING ¹⁸ | BKTK | Internal fast-blow fuse; for use with 347V fixtures | ■ | ■ | ■ | | | | | | | | | | | | | | | | | | |
| | GLR | Internal fast-blow fuse | ■ | ■ | ■ | ■ | ■ | ■ | ■ | ■ | ■ | ■ | ■ | ■ | ■ | ■ | ■ | ■ | ■ | ■ | ■ | ■ | |
| | GMF | Internal slow-blow fuse | ■ | ■ | ■ | ■ | ■ | ■ | ■ | ■ | ■ | ■ | ■ | ■ | ■ | ■ | ■ | ■ | ■ | ■ | ■ | ■ | |
| RADIO INTERFERENCE FILTERS | EIS | Inductive capacitor circuit designed to minimize interference from feed back into line. Meets MIL-STD 461A/462/463. Order either one per fixture(EIS1) or one per ballast(EIS2) | | | | | | ■ | ■ | | | | | ■ | ■ | | | | | | | ■ | |
| | RIF1 | Inductive capacitor circuit designed to minimize interference from feed back into line. 120V or 277V, 50HZ or 60HZ. One per fixture. | | | | | | | ■ | ■ | ■ | ■ | | | ■ | ■ | ■ | ■ | ■ | ■ | ■ | ■ | |
| | RIF2 | Inductive capacitor circuit designed to minimize interference from feed back into line. 120V or 277V, 50HZ or 60HZ. One per ballast. | | | ■ | | | | ■ | ■ | ■ | ■ | | | ■ | ■ | ■ | ■ | ■ | ■ | ■ | ■ | |
| EMERGENCY BATTERY PACKS | EL | Emergency battery pack (nominal 300 lumens) | | | | | | | | | | | | | | | | | ■ | ■ | | | |
| | ELDW | Damp/wet location emergency battery pack (nominal 300 lumens) | | | | | | | ■ | ■ ⁸ | ■ | ■ | ■ | ■ | ■ | ■ | ■ | ■ | ■ | ■ | ■ | ■ | |
| | EL14 | Emergency battery pack (nominal 1400 lumens) | ■ | ■ | ■ | ■ | | | | | | | | | | | | | | | | | |
| | EL14DW | Damp/wet location emergency battery pack (nominal 1400 lumens) | | | | | | | ■ | ■ | ■ | ■ | ■ | ■ | ■ | ■ | ■ | ■ | ■ | ■ | ■ | ■ | |
| | EL5DW | Damp/wet location emergency battery pack (nominal 500 lumens) | | | | | | | ■ | ■ | ■ | ■ | ■ | ■ | ■ | ■ | ■ | ■ | ■ | ■ | ■ | ■ | |
| | EL6DW | Damp/wet location emergency battery pack (nominal 600 lumens) | | | | | | | ■ | ■ | ■ | ■ | ■ | ■ | ■ | ■ | ■ | ■ | ■ | ■ | ■ | ■ | |
| | EL55 | Emergency battery pack (nominal 390-700 lumens) | | | | | | ■ | ■ | | | | | | | | | | | | | | |
| EL65 | Emergency battery pack (nominal 1250 lumens) | | | | | | ■ | ■ | | | | | | | | | | | | | | | |
| WIRE GUARDS | WGIBZ | Wire guard for I-BEAM® fixture | ■ | | | | | | | | | | | | | | | | | | | | |
| | WGIBC | Wire guard for I-BEAM® compact fixture | | ■ | | | | | | | | | | | | | | | | | | | |
| | WGFSB12 | Wire guard for SPEC-BEAM® 1'X 4' fixture | | | ■ | | | | | | | | | | | | | | | | | | |
| | WGFSB16 | Wire guard for SPEC-BEAM® 16"X 4' fixture | | | ■ | | | | | | | | | | | | | | | | | | |
| | WGFSB24 | Wire guard for SPEC-BEAM® 2'X 4' fixture | | | ■ | | | | | | | | | | | | | | | | | | |
| | WGFAL | Wire guard for FAL fixture | | | | ■ | | | | | | | | | | | | | | | | | |
| | WGMSSHBBZ | Wire guard for MSSHBB fixture | | | | | ■ | | | | | | | | | | | | | | | | |
| | WGM8Z | Wire guard for MS8 fixture | | | | | | ■ | | | | | | | | | | | | | | | |

Notes
For footnotes, refer to page 109.

| OPTION TYPE | NOM. | DESCRIPTION | IB | IBC | FSB | FAL | MSSH8 | MS8 | DMW | DMS/DM5W | EIS/EF5 | EFT | WRT | SRT | SRH | SSH | STP | VSL/VSLC | VW/WVC | VRS | VRT | VRI | VDC/VDS | | |
|------------------|--|---|----|-----|-----|-----|-------|-----|-----|----------|---------|-----|-----|-----|-----|-----|-----|----------|--------|-----|-----|-----|---------|--|--|
| HOUSING | AL | Aluminum housing | | | | | | | | | | | | | | | | | | | | | | | |
| | STS | Stainless steel housing, natural | | | | | | | | | | | | | | | | | | | | | | | |
| | STS ¹ | Stainless steel housing, white | | | | | | | | | | | | | | | | | | | | | | | |
| | WLD | Seam-welded housing | | | | | | | | | | | | | | | | | | | | | | | |
| LENS | A12 | #12 pattern acrylic | | | | | | | | | | | | | | | | | | | | | | | |
| | A12125 | #12 pattern acrylic, 0.125" thick | | | | | | | | | | | | | | | | | | | | | | | |
| | A12156 | #12 pattern acrylic, 0.156" thick | | | | | | | | | | | | | | | | | | | | | | | |
| | A15 | #15 pattern acrylic, 0.2" thick | | | | | | | | | | | | | | | | | | | | | | | |
| | A19 | #19 pattern acrylic, .156" thick | | | | | | | | | | | | | | | | | | | | | | | |
| | ACL | Clear acrylic, 0.125" thick | | | | | | | | | | | | | | | | | | | | | | | |
| | ACR | Clear acrylic | | | | | | | | | | | | | | | | | | | | | | | |
| | AR | High-impact acrylic, 50% DR | | | | | | | | | | | | | | | | | | | | | | | |
| | AR12 | #12 pattern, high-impact acrylic, 0.140" thick | | | | | | | | | | | | | | | | | | | | | | | |
| | ARDP | Deep high-impact acrylic, 50% DR | | | | | | | | | | | | | | | | | | | | | | | |
| | ARF12 | #12 pattern, high-impact acrylic, 0.140" thick | | | | | | | | | | | | | | | | | | | | | | | |
| | K12 | KSH #12 pattern acrylic, 0.125" thick | | | | | | | | | | | | | | | | | | | | | | | |
| | K12UVAV | KSH12 UVA lite, ultraviolet filtering lens | | | | | | | | | | | | | | | | | | | | | | | |
| | PCL | Prismatic polycarbonate | | | | | | | | | | | | | | | | | | | | | | | |
| | PCLW | White polycarbonate | | | | | | | | | | | | | | | | | | | | | | | |
| | PCL125 | Clear polycarbonate, 0.125" thick | | | | | | | | | | | | | | | | | | | | | | | |
| | PCL12125 | #12 pattern polycarbonate, 0.125" thick | | | | | | | | | | | | | | | | | | | | | | | |
| | PCL12187 | #12 pattern polycarbonate, 0.187" thick | | | | | | | | | | | | | | | | | | | | | | | |
| | PCL156 | Polycarbonate, 0.156" thick | | | | | | | | | | | | | | | | | | | | | | | |
| | SCE | Surface conduit entry lens | | | | | | | | | | | | | | | | | | | | | | | |
| | SYA | PSI symmetric/asymmetric acrylic | | | | | | | | | | | | | | | | | | | | | | | |
| | SYAR | PSI symmetric/asymmetric acrylic with radio filter grid | | | | | | | | | | | | | | | | | | | | | | | |
| | T73 | #73 pattern, tempered glass, 0.190" thick | | | | | | | | | | | | | | | | | | | | | | | |
| VL | .250" polycarbonate lens laminated to 0.125" #12 pattern acrylic overlay, 0.375" thick | | | | | | | | | | | | | | | | | | | | | | | | |
| LOUVERS | MSSH8 SBL46 | Straight blade lower for MSSH8 fixture | | | | | | | | | | | | | | | | | | | | | | | |
| | MS8 SBL48 | Straight blade lower for MS8 fixture | | | | | | | | | | | | | | | | | | | | | | | |
| DOOR FRAMES | FM | Flush aluminum, matte black | | | | | | | | | | | | | | | | | | | | | | | |
| | FN | Flush aluminum, natural | | | | | | | | | | | | | | | | | | | | | | | |
| | FSF | Steel full door, white | | | | | | | | | | | | | | | | | | | | | | | |
| | FSS | Stainless inset, natural | | | | | | | | | | | | | | | | | | | | | | | |
| | FSSF | Stainless full door, natural | | | | | | | | | | | | | | | | | | | | | | | |
| | FSSF ¹⁵ | Stainless full door, white | | | | | | | | | | | | | | | | | | | | | | | |
| | FSSW | Stainless inset, white | | | | | | | | | | | | | | | | | | | | | | | |
| | FW | Aluminum inset, white | | | | | | | | | | | | | | | | | | | | | | | |
| FWF | Aluminum full door, white | | | | | | | | | | | | | | | | | | | | | | | | |
| TAMPER-RESISTANT | TP6 | Tamper-resistant screws, six per fixture | | | | | | | | | | | | | | | | | | | | | | | |
| | TPS | Tamper-resistant screws | | | | | | | | | | | | | | | | | | | | | | | |
| GASKETING | ABC | Triple neoprene gasketing (frame, lens and housing) | | | | | | | | | | | | | | | | | | | | | | | |
| | LG | Additional lens gasketing, neoprene | | | | | | | | | | | | | | | | | | | | | | | |
| FINISHES | PAF | Painted after fabrication | | | | | | | | | | | | | | | | | | | | | | | |
| | GALV | Galvanized | | | | | | | | | | | | | | | | | | | | | | | |
| SCREWDRIVERS | NSCR | Non-stick corrosion-resistant | | | | | | | | | | | | | | | | | | | | | | | |
| | RK1 T20BIT | Hex base driver bit, TORX® TX-20 | | | | | | | | | | | | | | | | | | | | | | | |
| MISCELLANEOUS | RK1 T20DRV | Screwdriver, TORX® TX-20 | | | | | | | | | | | | | | | | | | | | | | | |
| | DL | Damp location | | | | | | | | | | | | | | | | | | | | | | | |
| | FPA | Food processing area | | | | | | | | | | | | | | | | | | | | | | | |
| | HPD | High pressure hose down | | | | | | | | | | | | | | | | | | | | | | | |
| | LATC | Screw-on hold-down clips to secure troffer to T-bar. Field installed. Attach by screwing to fixture end plates. Four furnished per fixture. | | | | | | | | | | | | | | | | | | | | | | | |
| | LPD | Low pressure hose down | | | | | | | | | | | | | | | | | | | | | | | |
| | NLCFH | Compact fluorescent night light | | | | | | | | | | | | | | | | | | | | | | | |
| | SCG | Surface conduit gasket | | | | | | | | | | | | | | | | | | | | | | | |
| | STSL | Stainless steel latches | | | | | | | | | | | | | | | | | | | | | | | |
| | WLF | Wet location fitting | | | | | | | | | | | | | | | | | | | | | | | |

- Notes**
- 1 Must specify voltage.
 - 2 F54T5HO only.
 - 3 2 ballast configuration required - must be factory installed.
 - 4 T8 lamp only.
 - 5 Requires BCD option.
 - 6 Suitable for damp location only.
 - 7 296 only.
 - 8 Suitable for wet locations.
 - 9 EIS only.
 - 10 T12HO lamps only.
 - 11 EFS/EFSC only.
 - 12 Must specify LPD.
 - 13 Requires minimum .125 thick lens.
 - 14 Requires TORX® TX20 screwdriver (order separately, Catalog No. RK1 T20DRV).
 - 15 For use with grid mounted fixtures only.
 - 16 Must specify HPD.
 - 17 Requires minimum .156" thick lens.
 - 18 Must specify voltage.
 - 19 Provided with one pair of surface conduit gaskets.
 - 20 VSL only- not available in 3 lamp model.
 - 21 One pair not installed.
 - 22 Not recommended for use in ambient temperatures exceeding 40° F.
 - 23 Tandem units only.