

T366621 - LBL4W Lens Removal/Install

Please follow the instructions below to remove/install the
new lens

Package Contains:

Qty: (1) Replacement Lens

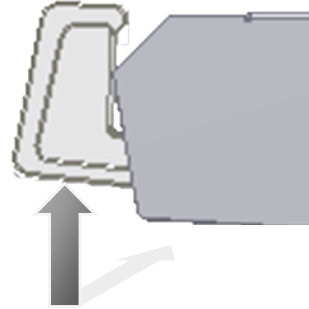
What you will need:

No tools required

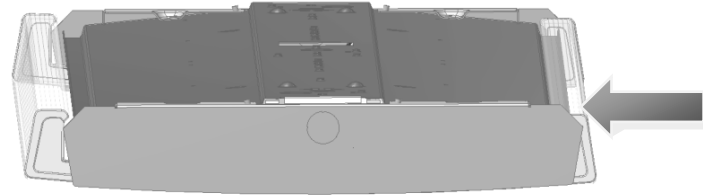


T366621 - LBL4W Lens Removal

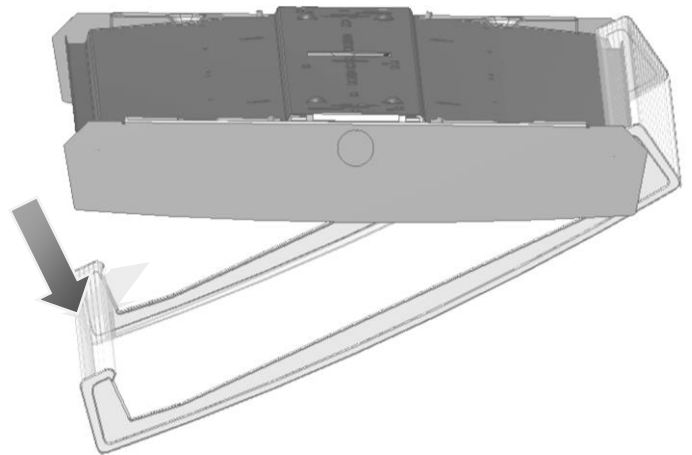
- 1) PUSH SIDE UP TO RELEASE LENS FROM CHANNEL WHILE PUSHING THE OTHER SIDE



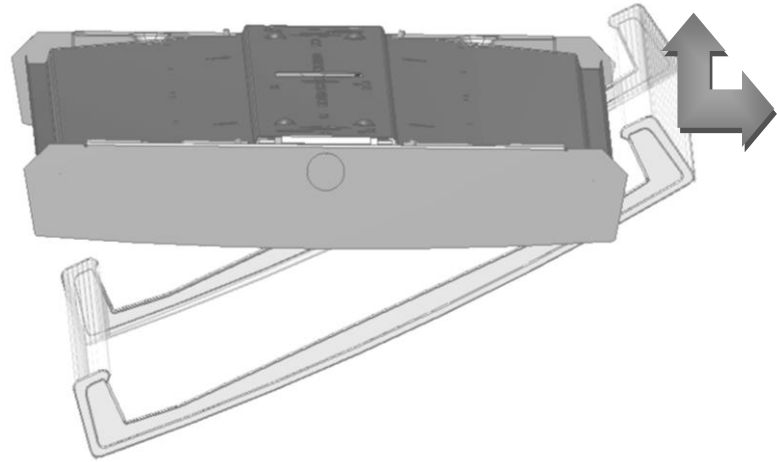
- 2) PUSH SIDE IN TOWARD CHANNEL



- 3) SIDE WILL ROTATE DOWN



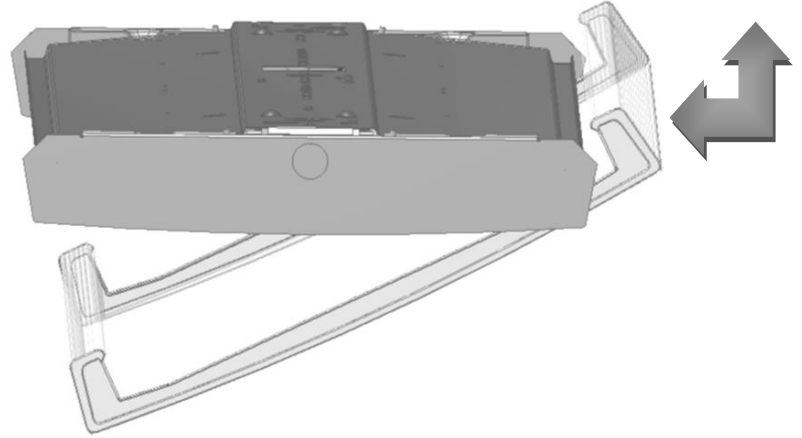
- 4) AFTER ROTATING THE LENS
PUSH UP AND OUT TO FULLY
REMOVE THE LENS FROM THE
CHANNEL FLANGE



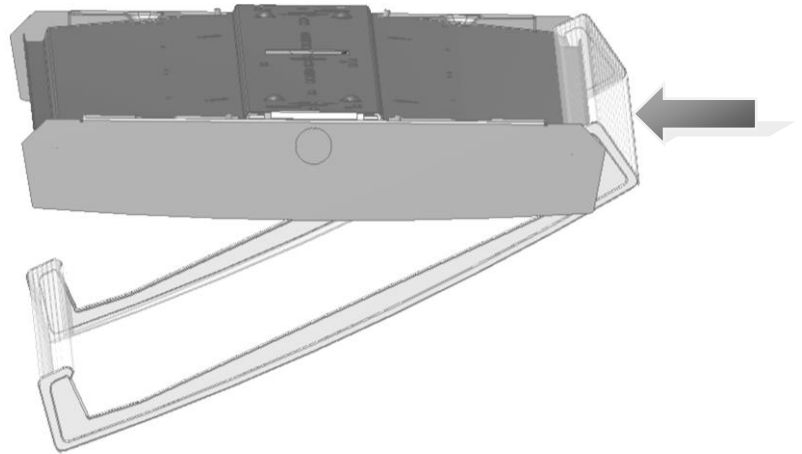
**END REMOVAL OF
LENS**

T366621 - LBL4W Lens Install

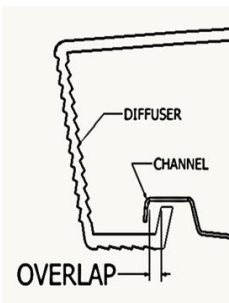
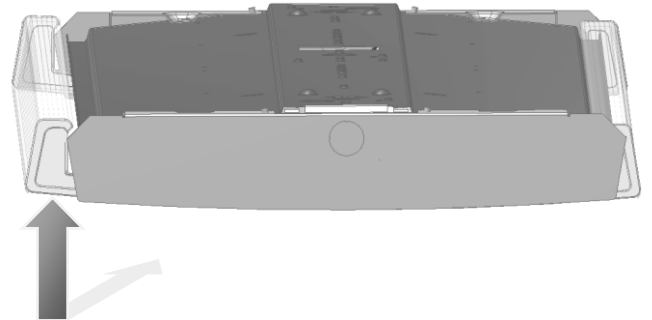
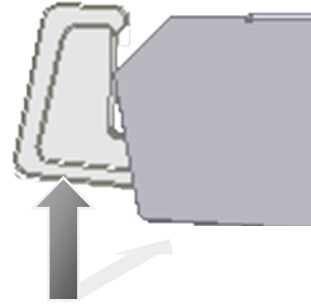
- 1) BRING LENS ABOVE CHANNEL FLANGE



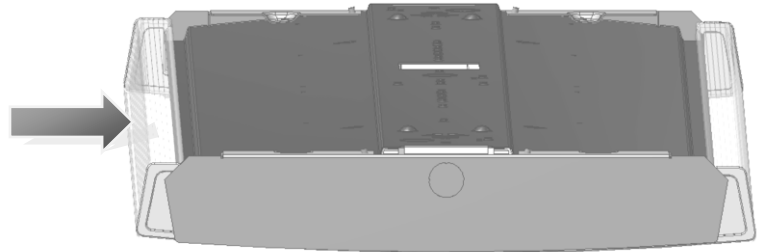
- 2) SET LENS ON CHANNEL OVER CHANNEL FLANGE



3) PUSH SIDE UP TOWARD
CHANNEL



4) PUSH END OVER CHANNEL
FLANGE – MAKE SURE BOTH
ENDS OF LENS ARE FULLY
ENGAGED TO THE CHANNEL
FLANGE



DISPOSAL OF LENS

AFTER REMOVAL OF OLD
LENS, IN PERMANENT
MARKER DRAW AN "X" ON
THE LENS

