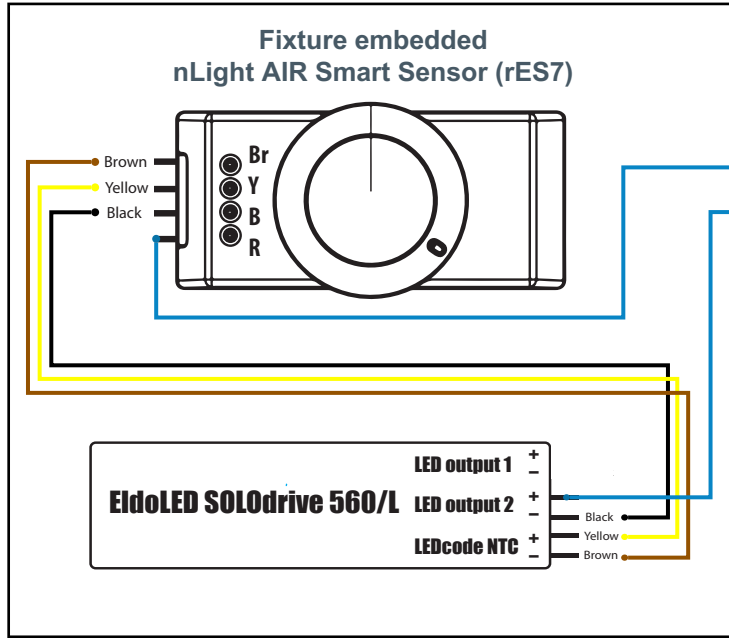


nLight AIR UL924 App Note

Figure 1 – Wiring diagram to support UL924 applications with nLight AIR enabled fixtures.



nLight AIR-enabled fixture

Instructions:

Step 1: Wire the nLight AIR-enabled fixture with the PP16 SHUNT as displayed in Figure 1.

Step 2: Configure PP16 SHUNT using push button programming as described in Figure 2:

- "Override Relay (Pole 1)" to "Override Off"
- "Invert Relay Logic (Pole 1)" to "Inverse Logic"

WARNING

ELECTRIC SHOCK HAZARD.

DO NOT WIRE HOT

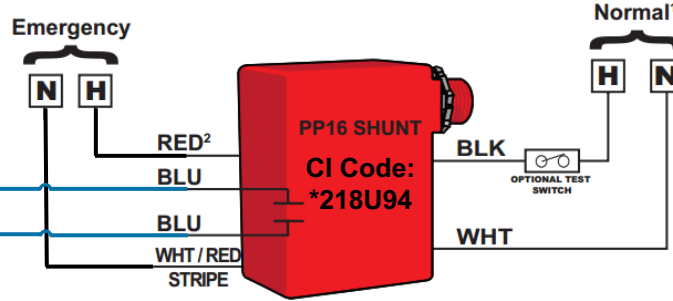


Figure 2 – Relay Pack Programming Instructions

B-LEVEL PROGRAMMING INSTRUCTIONS

PLEASE READ ALL 4 STEPS BEFORE PROGRAMMING

1. Enter B-Level programming mode by holding down button until LED flashes rapidly, release, then hold down until rapid flash again, release, then immediately enter programming function as described in step 2.
2. Enter a programming function by pressing button the number of times as the desired function number from the table labeled B-Level Functions (e.g., press twice for function 2, Semi-Auto Grace Period).
3. LED will flash back the selected function's current setting (e.g., 3 flashes for 10 sec). To change setting, proceed to step 3 before flash back sequence repeats 3 times. To exit the current function or to change to a different function, wait for sequence to repeat 3 times then return to step 1.
4. Press button the number of times indicated in the particular function's detailed table for the NEW desired setting (e.g., press 4 times for 1 hr). As confirmation of setting change, LED flashes back the NEW setting 3 times before exiting.

* Indicates Factory Default

B-LEVEL DETAILED FUNCTION TABLES

| 1 = Name | Unit w/ Number | 2 | 3 | 4 | 5 | 6 | 7 | 8 | 9 | 10 |
|----------------------------|----------------|--------|---|---------|---|---------|---|--------|-------------|--------|
| 1 | 1 | 4 | 4 | 5 | 5 | 7 | 7 | 9 | 9 | |
| 2 | 2 | 3 | 3 | 6 | 6 | 8 | 8 | 10 | Unassigned* | |
| 2 = Semi-Auto Grace Period | 1 | 0 sec | 3 | 10 sec* | 5 | 2 hr | 7 | 8 | hr | |
| | 2 | 5 sec | 4 | 1 hr | 6 | 4 hr | | | | |
| 3 = Predictive Exit Time | 1 | 5 sec | 3 | 7 sec | 5 | 9 sec | 7 | 15 sec | 9 | 30 sec |
| | 2 | 6 sec | 4 | 8 sec | 6 | 10 sec* | 8 | 20 sec | | |
| 4 = Predictive Grace Time | 1 | 0 sec | 3 | 10 sec | 5 | 30 sec | 7 | 50 sec | | |
| | 2 | 5 sec* | 4 | 20 sec | 6 | 40 sec | 8 | 60 sec | | |

11 = Occupancy Tracking (Pole 1)

- 1 Disable 2 Enable*

12 = Occupancy Tracking Channel (Pole 1)

- 1 - 16 (e.g. 1 = Channel 1*; 2 = Channel 2; etc.)

13 = Photocell Tracking (Pole 1)

- 1 Disable 2 Enable*

14 = Photocell Tracking Channel (Pole 1)

- 1 - 16 (e.g. 1 = Channel 1*; 2 = Channel 2; etc.)

15 = Switch Tracking (Pole 1)

- 1 Disable 2 Enable*

16 = Switch Tracking Channel (Pole 1)

- 1 - 16 (e.g. 1 = Channel 1*; 2 = Channel 2; etc.)

17 = Override Relay (Pole 1)

- 1 Disabled (not forced)* 2 Override On 3 Override Off

18 = Special Operating Mode (Pole 1)

- 1 Normal* 3 Auto to Override On 5 Predictive Off
2 Manual On 4 Manual to Full Auto

19 = Invert Relay Logic (Pole 1)

- 1 Normal Logic* 2 Inverse Logic

20 = Lamp Type

- 1 Fluorescent* 2 Incandescent

21 = WallPod Dimming Adjustments

- 1 Permanent* 2 Temporary

22 = Infinite Dimming Time Delay

- 1 Disable* 2 Enable

23 = Special Switch Tracking Mode

- 1 Disable* 2 Ignore Offs 3 Ignore Ons 4 Ignore Ons & Offs

For full, detailed Relay Pack Programming Instructions, go to:

<https://www.acuitybrands.com/-/media/Files/Acuity/Brands/Controls/nLight/Relay%20Packs.pdf?la=en>