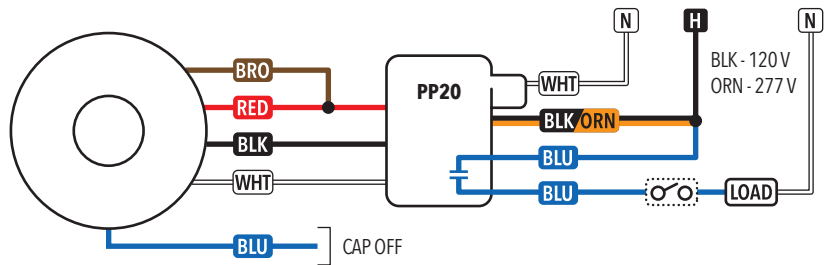


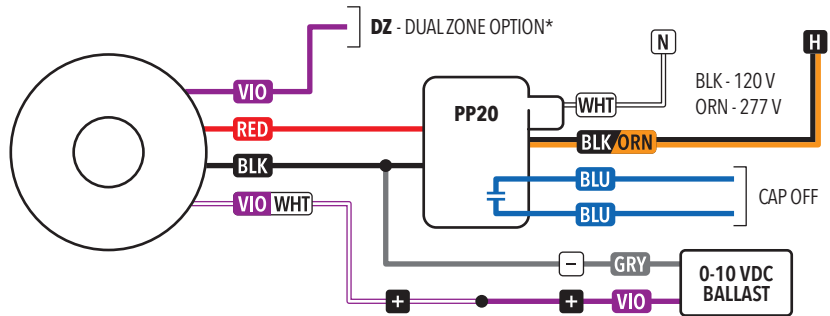
Daylight Control Wiring Diagrams



LOW VOLTAGE ON/OFF PHOTOCONTROLS

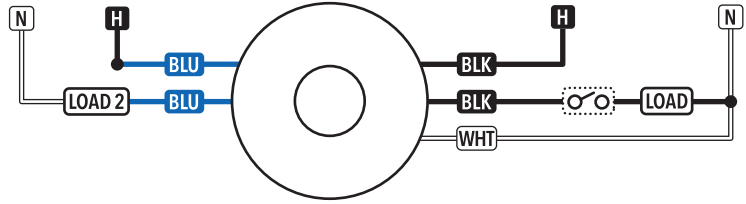


LOW VOLTAGE AUTOMATIC DIMMING PHOTOCONTROLS

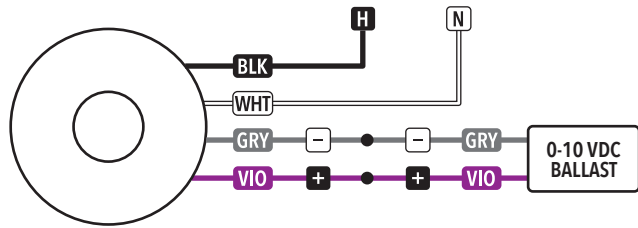


*Wire to an additional 0-10VDC Ballast

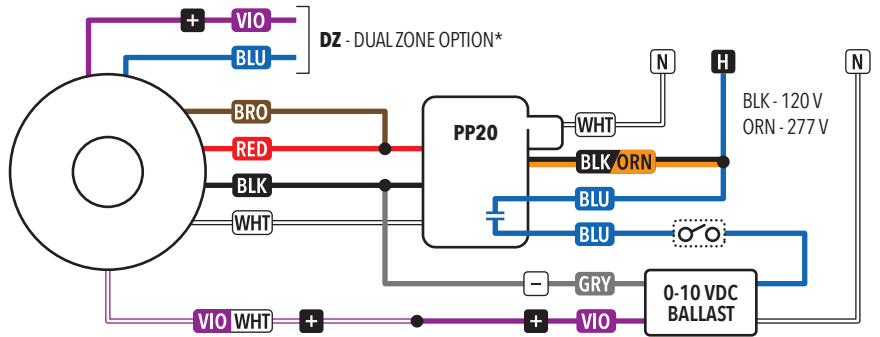
LINE VOLTAGE ON/OFF PHOTOCONTROLS



LINE VOLTAGE AUTOMATIC DIMMING PHOTOCONTROLS

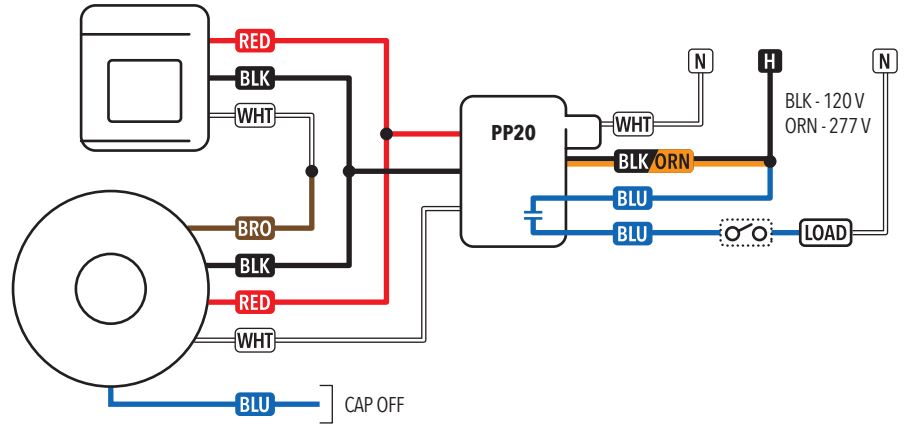


LOW VOLTAGE ON/OFF & AUTOMATIC DIMMING PHOTOCONTROLS



*Wire VIO to additional 0-10 VDC Ballast & wire BLU to an Additional PP20

**LOW VOLTAGE ON/OFF
PHOTOCONTROL W/ LOW VOLTAGE
OCCUPANCY SENSORS**



**LOW VOLTAGE ON/OFF & AUTOMATIC
DIMMING PHOTOCONTROL W/ LOW
VOLTAGE OCCUPANCY SENSORS**

