


IMPORTANT SAFETY INSTRUCTIONS


READ AND FOLLOW ALL SAFETY INSTRUCTIONS! SAVE THESE INSTRUCTIONS AND DELIVER TO OWNER AFTER INSTALLATION

- To reduce the risk of death, personal injury or property damage from fire, electric shock, falling parts, cuts/abrasions, and other hazards please read all warnings and instructions included with and on the fixture box and all fixture labels.
- Before installing, servicing, or performing routine maintenance upon this equipment, follow these general precautions.
- Installation and service should be performed by a **qualified licensed electrician**.
- Maintenance should be performed by qualified person(s) familiar with the products' construction and operation and any hazards involved. Regular maintenance programs are recommended.
- **DO NOT INSTALL DAMAGED PRODUCT!** This product has been properly packed so that no parts should have been damaged during transit. Inspect to confirm. Any part damaged or broken during or after assembly should be replaced.
- These instructions do not purport to cover all details or variations in equipment nor to provide every possible contingency to meet in connection with installation, operation, or maintenance. Should further information be desired or should particular problems arise which are not covered sufficiently for the purchaser's or owner's purposes, this matter should be referred to Acuity Brands Lighting, Inc.




WARNING
RISK OF ELECTRIC SHOCK

- ✓ Disconnect or turn off power before installation or servicing.
- ✓ Verify that supply voltage is correct by comparing it with the product information.
- ✓ Make all electrical and grounded connections in accordance with the National Electrical Code (NEC) and any applicable local code requirements.
- ✓ All wiring connections should be capped with UL approved recognized wire connectors.
- ✓ All unused connector openings must be capped.



WARNING
RISK OF BURN or FIRE

- ✓ Do not exceed maximum wattage, ratings, or published operating conditions of product.
- ✓ Do not overload.
- ✓ Follow all manufacturer's warnings, recommendations and restrictions to ensure proper operation of product.



CAUTION
RISK OF INJURY

- ✓ Wear gloves and safety glasses at all times when installing, servicing or performing maintenance.

Always read the fixtures complete installation instructions prior to installation for any additional fixture specific warnings.

Failure to follow any of these instructions could void product warranties. For a complete listing of product Terms and Conditions, please visit www.acuitybrands.com.

Our Brands	Indoor/Outdoor Lithonia Lighting Carandini Holophane RELOC Light Concepts	Indoor Lighting Gotham Mark Architectural Lighting Peerless Renaissance Lighting Winona Lighting	Outdoor Lighting American Electric Lighting Antique Street Lamps Hydrel Tersen	Controls DARK TO LIGHT LC&D ROAM Sensor Switch Synergy	Daylighting SunOptics
------------	--	---	--	---	--------------------------

Acuity Brands Lighting, Inc. assumes no responsibility for claims arising out of improper or careless installation or handling of its products.

ABL LED General Warnings, Form No. 503.203

© 2010 Acuity Brands Lighting, Inc. All rights reserved. 12/01/10

IMPORTANT SAFETY INSTRUCTIONS



CAUTION: RISK OF PRODUCT DAMAGE

- ✓ Electrostatic Discharge (ESD): ESD can damage product(s). Personal grounding equipment must be worn during all installation or servicing of the unit.
- ✓ Do not touch individual electrical components as this can cause ESD and affect product performance.
- ✓ Do not stretch or use cable sets that are too short or are of insufficient length.
- ✓ Do not tamper with contacts.
- ✓ Do not modify the product.
- ✓ Do not change or alter internal wiring or installation circuitry.
- ✓ Do not use product for anything other than its intended use.
- ✓ If installing latching springs: ensure that the springs are fully engaged prior to moving to next connection.
- ✓ If installing wiring systems: Materials and component parts of a manufacturing wiring system as described in Article 604 of the National Electric Code and Underwriters Laboratories Standard for Safety #183 **MUST BE** installed.

Please see product specific installation instructions for additional warnings or any applicable FCC or other regulatory statements.

Failure to follow any of these instructions could void product warranties. For a complete listing of product Terms and Conditions, please visit www.acuitybrands.com.

Our Brands	Indoor/Outdoor Lithonia Lighting Carandini Holophane RELOC Light Concepts	Indoor Lighting Gotham Mark Architectural Lighting Peerless Renaissance Lighting Winona Lighting	Outdoor Lighting American Electric Lighting Antique Street Lamps Hydrel Tersen	Controls DARK TO LIGHT LC&D ROAM Sensor Switch SynergySwitch	Daylighting SunOptics
-------------------	--	---	--	---	--------------------------

Acuity Brands Lighting, Inc. assumes no responsibility for claims arising out of improper or careless installation or handling of its products.

ABL LED General Warnings, Form No. 503.203

© 2010 Acuity Brands Lighting, Inc. All rights reserved. 12/01/10

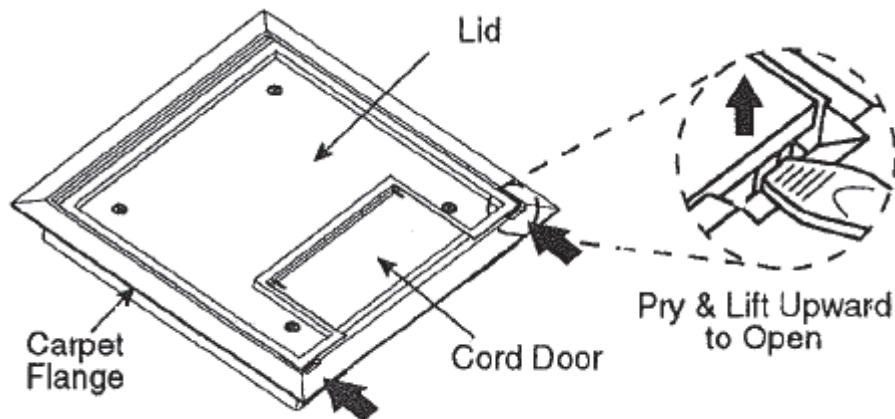
FLOOR MODULE INSTALLATION INSTRUCTIONS

CATALOG NUMBERS FMR25, FMR40, FMS40, FMS56

IMPORTANT: READ AND FOLLOW ALL SAFETY INSTRUCTIONS INCLUDED WITH PRODUCT.

Your RELOC FLOOR MODULE is fully wired and ready to be mounted to an Access Floor Panel. Installation is easy: cut the hole, seal the flange (if needed), add hold-downs, and plug the RELOC Connector into your RELOC Wiring system.

TO OPEN FLOOR MODULE COVER: Insert flat-blade screwdriver into slots and pry up.



TO OPEN CORD DOOR: Open cover and follow instructions inside the lid.

FLOORING INSERT: Carpet or floor tile may be cut to fit metal plate on the lid. Secure with normal floor adhesive.

INSTALLATION:

1) Determine location and orientation for Floor Module and cut hole per sizes below:

FM25:	7-15/16" x 10"	201mm x 254mm
FMR40:	7-15/16" x 10"	201mm x 254mm
FMS40:	7-15/16" x 7-15/16"	201mm x 201mm
FMS56:	9-5/8" x 9-5/8"	245mm x 245mm

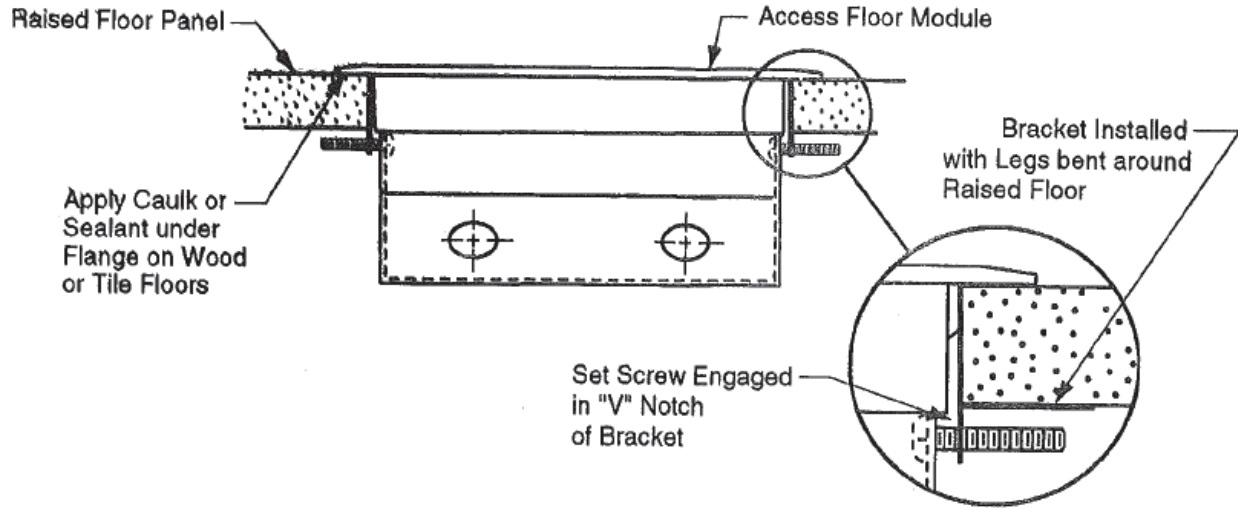
2) Install Mounting Bracket as shown to match the set screws used to hold the Floor Module in place. Place bracket in center of cutout opening. Hold Bracket tightly against the side and fold legs around edge to engage bottom of floor panel.

3) Seal Carpet Flange: Before lowering the Floor Module in the cut-out, apply sealant (caulk) to the underside of the carpet flange to prevent water entry. Omit if the floor is carpeted.

4) Install Mounting Brackets (2 places) Place the bracket on the cut-out edge corresponding to the side of the Floor Module. The small lip fits on the top of the panel and the fingers pointing down. Bend the

fingers around the bottom of the panel. Check location to insure the V-notch is lined up with the screw-hole on the side of the Floor Module. See additional instructions provided with mounting brackets.

5) Lower Floor Module into cutout. Install 1-1/8" long screws from the inside of the Floor Module to engage V-notch on the mounting bracket.



6) Plug the RELOC connector into the supply cable. Insure the latching springs are fully engaged.

Some Floor Modules are supplied with an optional Flexible Metal Conduit and wires instead of RELOC's Manufactured Wiring System. Connection to Building Wiring should be done by a Qualified Electrician following all NEC and Local Codes

120 VAC, SINGLE PHASE

BLACK..... 120 VAC
 WHITE..... NEUTRAL
 GREEN OR BARE GROUND

120 VAC, 2 PHASES

BLACK 120 VAC (PHASE A)
 RED 120 VAC (PHASE B)
 WHITE NEUTRAL (SHARED)
 GREEN OR BARE..... GROUND

120 VAC, 2 CIRCUITS

BLACK..... CKT 1, 120 VAC
 WHITE..... CKT 1, NEUTRAL
 RED..... CKT 2, 120 VAC
 GRAY CKT 2, NEUTRAL
 GREEN OR BARE GROUND

MODELS WITH **ISOLATED GROUND** OPTION WILL HAVE **TWO GROUND WIRES**:
 GREEN W/ YELLOW STRIPE..... ISOLATED GROUND.
 GREEN OR BARE.....NON-ISOLATED GROUND.

NOTE: Specifications subject to change without notice.

WARRANTY: 5-year limited warranty. Complete warranty terms located at www.acuitybrands.com/CustomerResources/Terms_and_conditions.aspx

Any post-factory modification to a Reloc component will void warranty and relieves Acuity Brands, Inc. of any legal responsibility for injury or non-performance of product.